

IP66 Front FANLESS TOUCH PANEL PC

10.1" Fanless Panel PC, True Flat PCAP Touch screen, Intel i5 7300U
1 xHDMI, 1 xDP ++, 4 xUSB, 2 xLAN, 2 xRS232, 1 x12V DC in External
Power Adapter, VESA Mounting & Panel Mounting, 1280x800 DPI



Model: KPCW1010i5-FPCAP



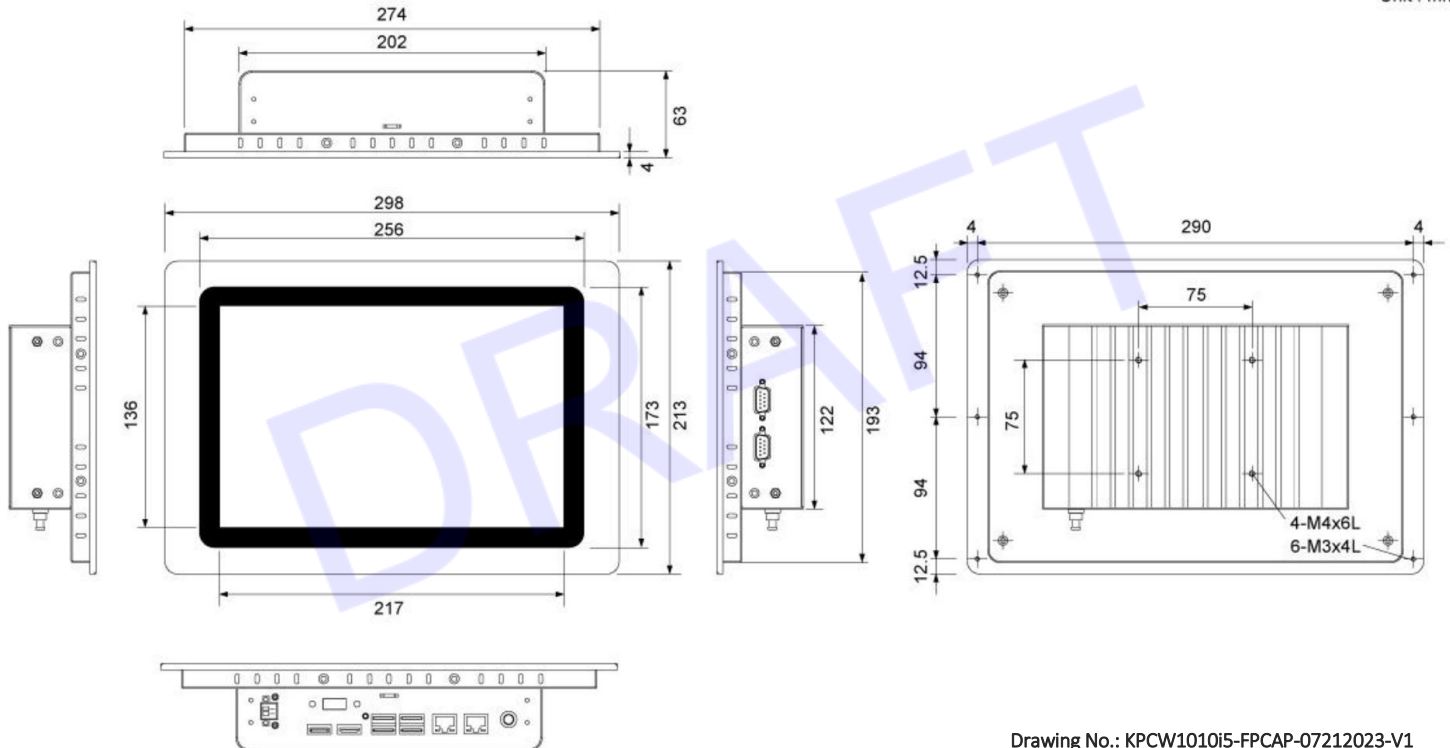
FEATURES:

- Fanless and rugged design
- 7th Gen Intel Core i5 7300U Processors
- Resolution 1280 x 800 dpi
- True Flat PCT touch screen
- IP66 Silver Aluminum front bezel
- 4 xUSB, 2 xRS232, 2 xGLAN, 1 xHDMI, 1 xDP
- VESA mount & Panel mount & Clip mount

MECHANICAL DRAWINGS:

This is subject to change without Notice. Final Drawings Will be Provided for Approval after Order.

Unit : mm



Drawing No.: KPCW1010i5-FPCAP-07212023-V1

SPECIFICATIONS:

System	
CPU	7th Gen Intel Core i5 7300U CPU (On Board)
Memory	1 x 260-pin DDR4 2133MHz SODIMM up to 16 GB
H/W Monitor	
H/W Monitor	Watch Dog Timer 256 Level
I/O Ports	
RS232	2
GLAN	2
USB	4
HDMI	1
DP	1
Storage	
Storage	1 x SATA 3.0 2.5" HDD/SSD
Expansion	
Mini PCI-E	2 x Full size
Power Requirement	
Power Requirement	2 Pin power terminal block for DC in 12V ~ 24V

Touch Screen	
Touch Screen	True Flat PCT touch
OS support	
OS support	Win Pro 10 / Embedded Win 10 / window IoT
Display	
Size	10.1" TFT (16:9)
Resolution	1280 x 800
Colors	16.7M
Luminance	500 cd/m ²
Contrast Ratio	800 : 1
View Angle (H/V)	170°/170°
Mechanical & Environmental	
Operation Temp.	0 ~ 45°C
Storage Humidity	10 ~ 90%, non-condensing
Mounting	VESA mount (75 x 75 mm) & Panel mount & Clip mount
Dimension (WxHxD)	298 x 213 x 63 mm
Weight	2.2 kg
Optional	
external antenna (WIFI)	
Optical Bonding	
8pcs x Clips	
1 x RS232/422/485	
Waterproof sponge	

**Specifications subject to change without notice, not responsible for typographical errors.*