

Fanless Touch Panel PC

17" Industrial Fanless Panel PC w/ 5 wire Resistive Touch

Intel i5 4300U, 2 xHDMI, 2 xRS232, 4 xUSB, 2 xLAN, 1 x24V DC in external power adapter, VESA mounting & panel mount, 1280x1024 Dpi

Integrated 4GB DDR III L So-DIMM
 Industrial MLC SSD 256GB
 Window 10 Pro (English)
 DC in 24V built in, also include a 110/220V AC external power adapter



Model: KPC1700-i5-UTM1

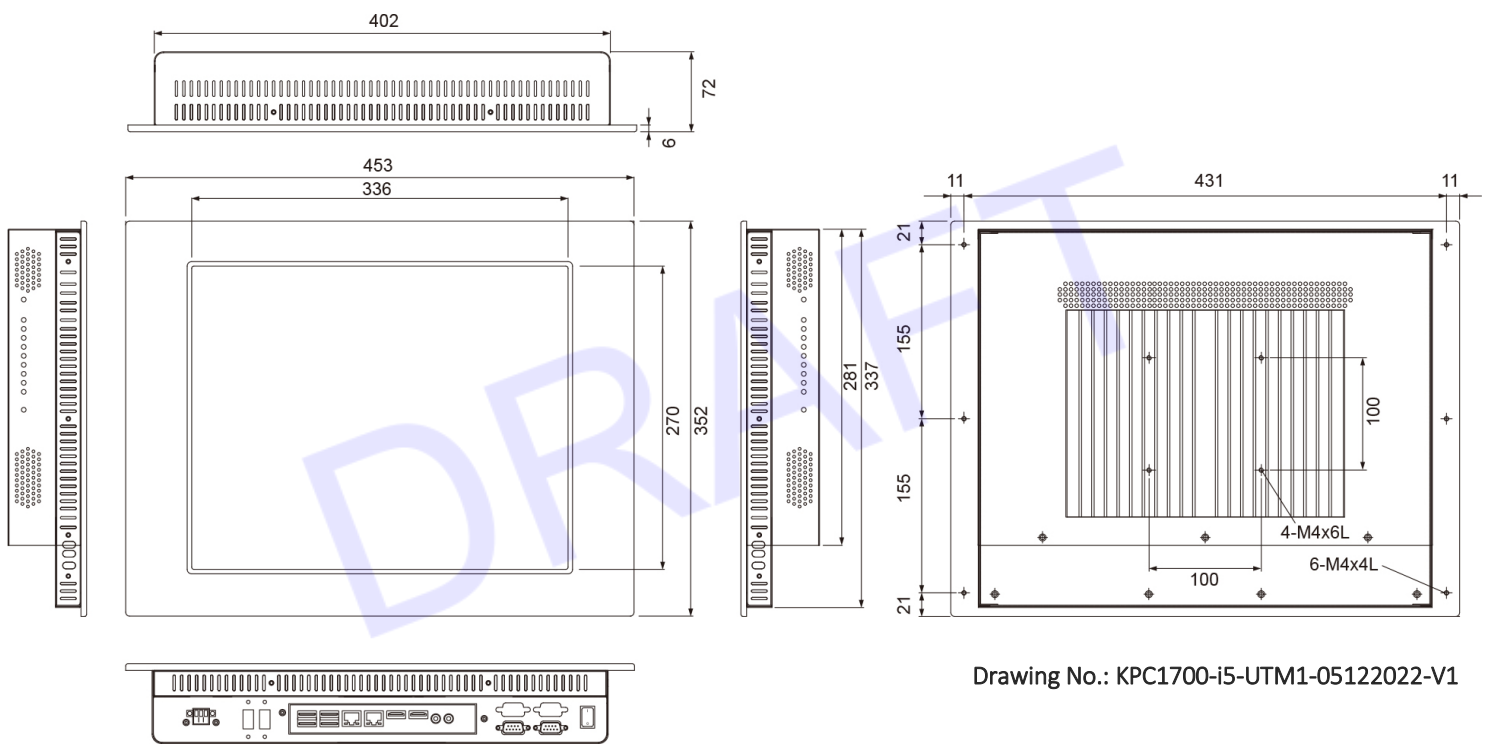


FEATURES:

- Fanless and rugged design
- Intel i5 4300U CPU
- Resolution 1280 x 1024 dpi
- 5 Wires Resistive touch solution
- IP65 Silver Aluminum front bezel
- 4 x USB, 2 x RS232, 2 x GLAN, 2 x HDMI
- VESA mount & Panel mount & Clip mount

MECHANICAL DRAWINGS:

This is subject to change without Notice. Final Drawings Will be Provided for Approval after Order.



Drawing No.: KPC1700-i5-UTM1-05122022-V1



i-Tech Company LLC
 EMAIL: info@itechlcd.com • WEB: www.iTechLCD.com

Modified: 05-12-2022

SPECIFICATIONS:

SYSTEM	
CPU	4th Gen Intel HSW ULT i5 4300U CPU (On Board)
Memory	Integrated 4GB DDR III L So-DIMM
H/W MONITOR	
Watchdog Timer	Watch Dog Timer 256 Level
I/O PORTS	
RS232	2
HDMI	2
GLAN	2
USB	4
Line out	1
MIC in	1
STORAGE	
Storage	
EXPANSION	
Mini PCI-E	1 x Full size
POWER REQUIREMENT	
Power Requirement	
TOUCH SCREEN	
Touch screen	5 Wires Resistive (one touch)
OS	
OS support	Window 10 Pro (English) Win Pro 7, 8.1 10 / Embedded Win 7, 8.1, 10 / Window 10 IoT
DISPLAY	
Size	17" TFT (4:3)
Resolution	1280 x 1024
Colors	16.7M
Luminance	350 cd/m2
Contrast Ratio	1000:1
View Angle (H/V)	140°/170°
MECHANICAL & ENVIRONMEN	
Operation Temp.	0 ~ 45°C
Storage Humidity	10 ~ 90%, non-condensing
Mount	VESA mount (100X100mm) & Panel mount & Clip mount
Dimension (WxHxD)	453 x 352 x 72 mm
Weight	6.7 kg
OPTIONAL	External antenna (WIFI)
	Optical Bonding
	2 x RS232 / 422 / 485
	10pcs x clips
	Waterproof sponge
OPTIONAL HB PANEL	
Resolution	1280 x 1024
Color	16.7M
Luminance	1000 cd/m2
Contrast Ratio	1000 : 1
Viewing Angle (H/V)	170°/165°

**Specifications subject to change without notice, not responsible for typographical errors.*