

Fanless Touch Panel PC

15" Fanless Panel PC 5 Wires Resistive Touch Intel i5 4300U, 2xHDMI, 2xRS232, 4xUSB, 2xLAN, 1x24V DC in External Power Adapter, VESA mounting & panel mount, 1024x768 DPI



Model: KPC1500i5-V1

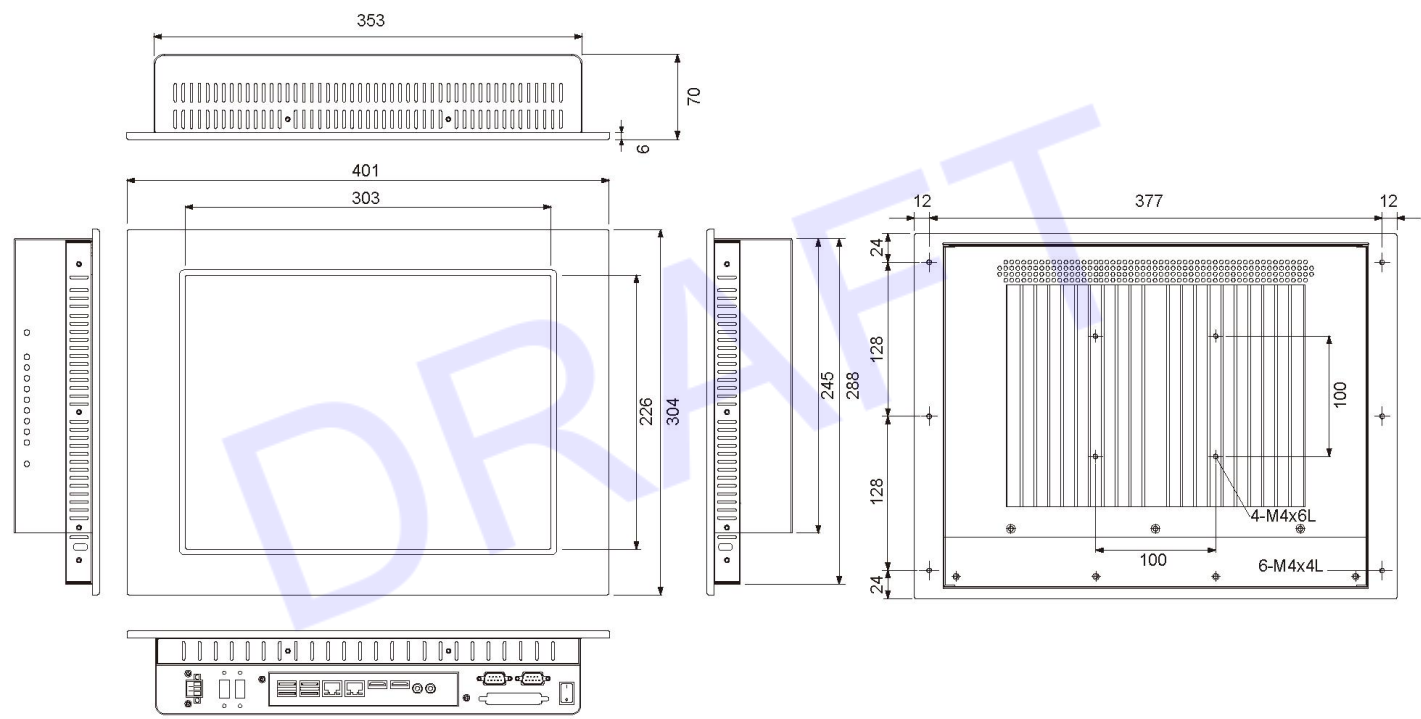


FEATURES:

- Fanless and rugged design
- 4th Gen Intel i5 4300U CPU
- Resolution 1024 x 768 dpi / 1280 x 1024 dpi
- 5 Wires Resistive touch solution
- IP65 Silver Aluminum front bezel
- 4 x USB, 2 x RS232, 2 x GLAN, 2 x HDMI
- VESA mount & Panel mount & Clip mount

MECHANICAL DRAWINGS:

This is subject to change without Notice. Final Drawings Will be Provided for Approval after Order.



SPECIFICATIONS:

SYSTEM	
CPU	4th Gen Intel HSW ULT i5 4300U CPU (On Board)
Memory	2 x 204-pin DDR3L SODIMM up to 16 GB
H/W MONITOR	
Watchdog Timer	Watch Dog Timer 256 Level
I/O PORTS	
RS232	2
VGA	2
GLAN	2
USB	4
Line out	1
MICin	1
STORAGE	
Storage	1xSATA2.0 2.5"HDD/SSD
EXPANSION	
Mini PCI-E	1 x Full size
POWER REQUIREMENT	
Power Requirement	3 Pin power terminal block for DC in 19 ~ 24V
TOUCH SCREEN	
Touch screen	5 Wires Resistive (one touch)
OS SUPPORT	
OS support	Win Pro 7, 8.1 10 / Embedded Win 7,8.1, 10/Window 10 IoT
DISPLAY	
Size	15"TFT(4:3)
Resolution	1024x768
Colors	16.2M
Luminance	400 cd/m2
Contrast Ratio	700:1
View Angle (HA/)	160/160°
MECHANICAL & ENVIRONMENTAL	
Operation Temp.	0 ~ 45°C
Storage Humidity	10 ~ 90%, non-condensing
Mount	VESA mount (100X100mm) & Panel mount & Clip mount
Dimension (WxHxD)	401 x 304 x 70 mm
Weight	5.7 kg
OPTIONAL	
External antenna (WIFI)	
Optical Bonding	
2 x RS232 / 422 / 485	
10pcs x clips	
Waterproof sponge	
OPTIONAL HB PANEL	
Resolution	1024x768
Color	16.2M
Luminance	1000cd/m2
Contrast Ratio	2000 : 1
Viewing Angle (HA/)	176/176°

**Specifications subject to change without notice, not responsible for typographical errors.*