

ALUMINUM TRUE FLAT FRONT TOUCH PANEL PC

12.1" Fanless panel PC, 1024 x 768, 350 cd/m2, true flat 5 wires resistive touch screen, Intel i5 7300U, 1 x HDMI, 1 x DP, 4 x USB, 2 x LAN, 1 x RS232, 1 x 12V DC in external power adapter, VESA mounting & panel mounting, 1024x 768 dpi



Model: KPC1210i5-J-FTR-V1

FEATURES:

- Fanless and rugged design
- 7th Gen Intel® Core™ i5 7300U Processors
- Resolution 1024 x 768 dpi
- Front IP69K true flat PCT & IP66 5 wires resistive touch screen
- Silver Aluminum front bezel
- 304 316 stainless steel front bezel
- 4 x USB, 2 x RS232, 2 x GLAN, 1 x HDMI, 1 x DP
- VESA mount & Panel mount & Clip mount
- Optical bonding, high brightness sunlight readable solution
- 4GB DDR III L So- DIMM
- TLC m SATA 128GB SSD
- 6EU-00031 window 10 IoT
- clips*8pcs
- Waterproof sponge *4pcs

SPECIFICATIONS:

SYSTEM	
CPU	7th Gen Intel Core i5 7300U CPU (On Board)
Memory	4GB DDR III L So- DIMM
H/W MONITOR	
Watchdog Timer	Watch Dog Timer 256 Level
I/O PORTS	
RS232	2
GLAN	2
USB	4
HDMI	1
DP	1
STORAGE	
Storage	TLC m SATA 128GB SSD
EXPANSION	
Mini-PCle	2 x Full size
POWER REQUIREMENT	
Power Input Voltage	2 Pin power terminal block for DC in 12V ~ 24V
TOUCH SCREEN	
Touch screen	5W (one touch)
OPERATING SYSTEM	
6EU-00031 window 10 IoT	

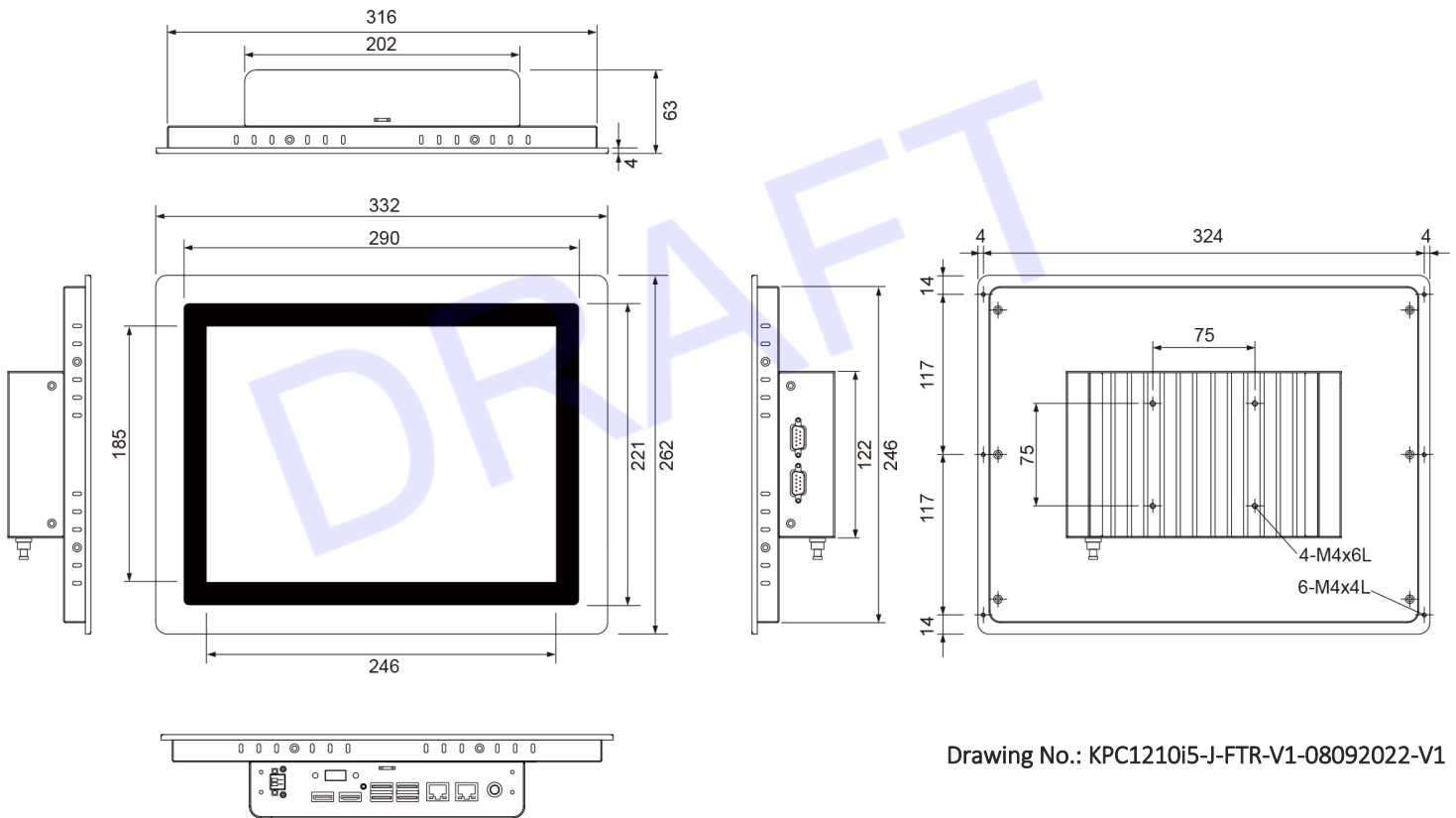
DISPLAY	
Size	12.1" TFT (4:3)
Resolution	1024x768
Colors	16.7M
Luminance (cd/m2)	350 cd/m ²
Contrast Ratio	800 : 1
View Angle (H / V)	160°/160°
MECHANICAL & ENVIRONMENTAL	
Operation Temp	0 ~ 45°C
Storage Humidity	10 ~ 90%, non-condensing
Mount	VESA mount (75 X 75 mm) & Panel mount & Clip mount
Dimension (W x H x D mm) & Weight	332 x 262 x 63 mm / 2.8 kg
OPTIONAL	
external antenna (WIFI)	
Optical Bonding	
1600 cd/m ² High Brightness 12.1" LCD panel 1024 x 768 dpi	
8pcs x Clips	
1 x RS232/422/485	
Waterproof sponge	
Optional HB panel	
1024 x 768	
16.7M	
1000 cd/m ²	
800 : 1	
160°/160°	

*Specifications subject to change without notice, not responsible for typographical errors.



MECHANICAL DRAWINGS:

This is subject to change without Notice. Final Drawings Will be Provided for Approval after Order.



Drawing No.: KPC1210i5-J-FTR-V1-08092022-V1