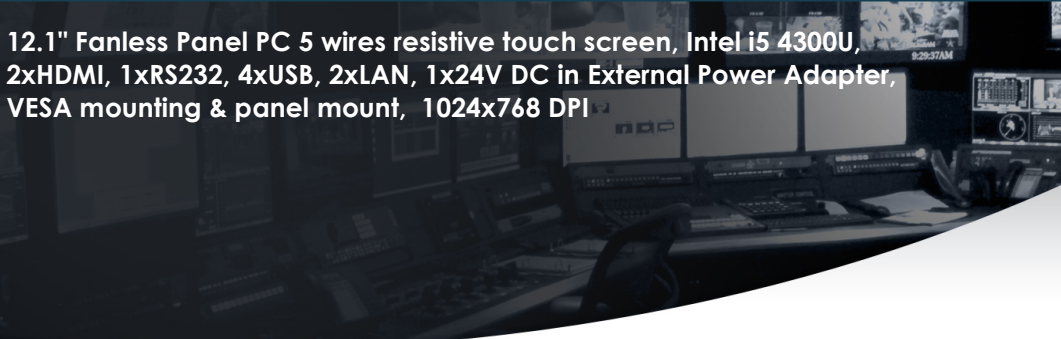


# Fanless Touch Panel PC



**Model: KPC1210Xi5-V1**

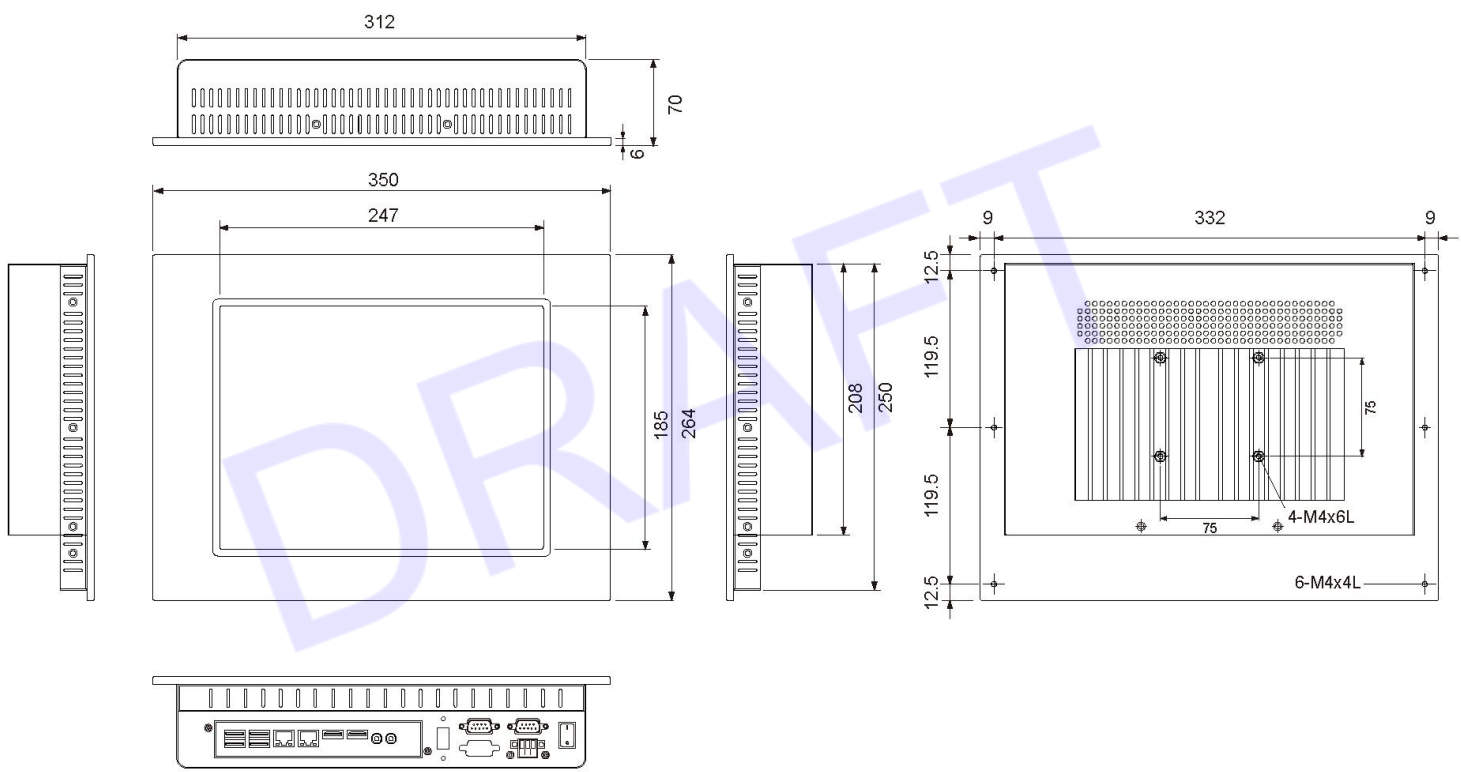


### FEATURES:

- Fanless and rugged design
- 4th Gen Intel i5 4300U processor
- Resolution 1024 x 768 dpi
- 5 Wires Resistive touch solution
- IP65 Silver Aluminum front bezel
- 4 x USB, 2 x RS232, 2 x GLAN, 2 x HDMI
- VESA mount & Panel mount & Clip mount

### MECHANICAL DRAWINGS:

*This is subject to change without Notice. Final Drawings Will be Provided for Approval after Order.*



**SPECIFICATIONS:**

<b>SYSTEM</b>	
CPU	4th Gen Intel HSW ULT i5 4300U CPU (On Board)
Memory	2 x 204-pin DDR3L SODIMM up to 16 GB
<b>H/W MONITOR</b>	
Watchdog Timer	Watch Dog Timer 256 Level
<b>I/O PORTS</b>	
RS232	2
VGA	2
GLAN	2
USB	4
Line out	1
MICin	1
<b>STORAGE</b>	
Storage	1xSATA2.0 2.5"HDD/SSD
<b>EXPANSION</b>	
Mini PCI-E	1 x Full-size
<b>POWER REQUIREMENT</b>	
Power Requirement	3 Pin power terminal block for DC in 19 ~ 24V
<b>TOUCH SCREEN</b>	
Touch screen	5 Wires Resistive (one touch)
<b>OS SUPPORT</b>	
OS support	Win Pro 7, 8.1 10 / Embedded Win 7, 8.1, 10/Window 10 IoT
<b>DISPLAY</b>	
Size	12.1" TFT (4:3)
Resolution	1024x 768
Colors	16.7M
Luminance	350 cd/m2
Contrast Ratio	800 : 1
View Angle (HA/)	1607160°
<b>MECHANICAL &amp; ENVIRONMENTAL</b>	
Operation Temp.	0 ~ 45°C
Storage Humidity	10 ~ 90%, non-condensing
Mount	VESA mount (75 X 75mm) & Panel mount & Clip mount
Dimension (WxHxD)	350 x 264 x 70 mm
Weight	TBD
<b>OPTIONAL</b>	
external antenna (WIFI )	
Optical Bonding	
1600 cd/m2 High Brightness 12.1" LCD panel 1024 x 768 dpi	
1 x RS232/422/485	
10pcs x Clips	
Waterproof sponge	
<b>OPTIONAL HB PANEL</b>	
Resolution	1024x 768
Color	16.7M
Luminance	1000cd/m2
Contrast Ratio	800 : 1
Viewing Angle (HA/)	1607160°

*\*Specifications subject to change without notice, not responsible for typographical errors.*