

# IP66 Front FANLESS TOUCH PANEL PC

10.4" Fanless Panel PC, 5 Wires Resistive Touch screen, Intel i5 7300U  
1x HDMI, 1x DP++, 1x RS232, 4x USB, 2x LAN, 1x 12V DC in External Power  
Adapter , VESA mounting & panel mount, 1024x768 DPI



**Model: KPC1040i5-TR**

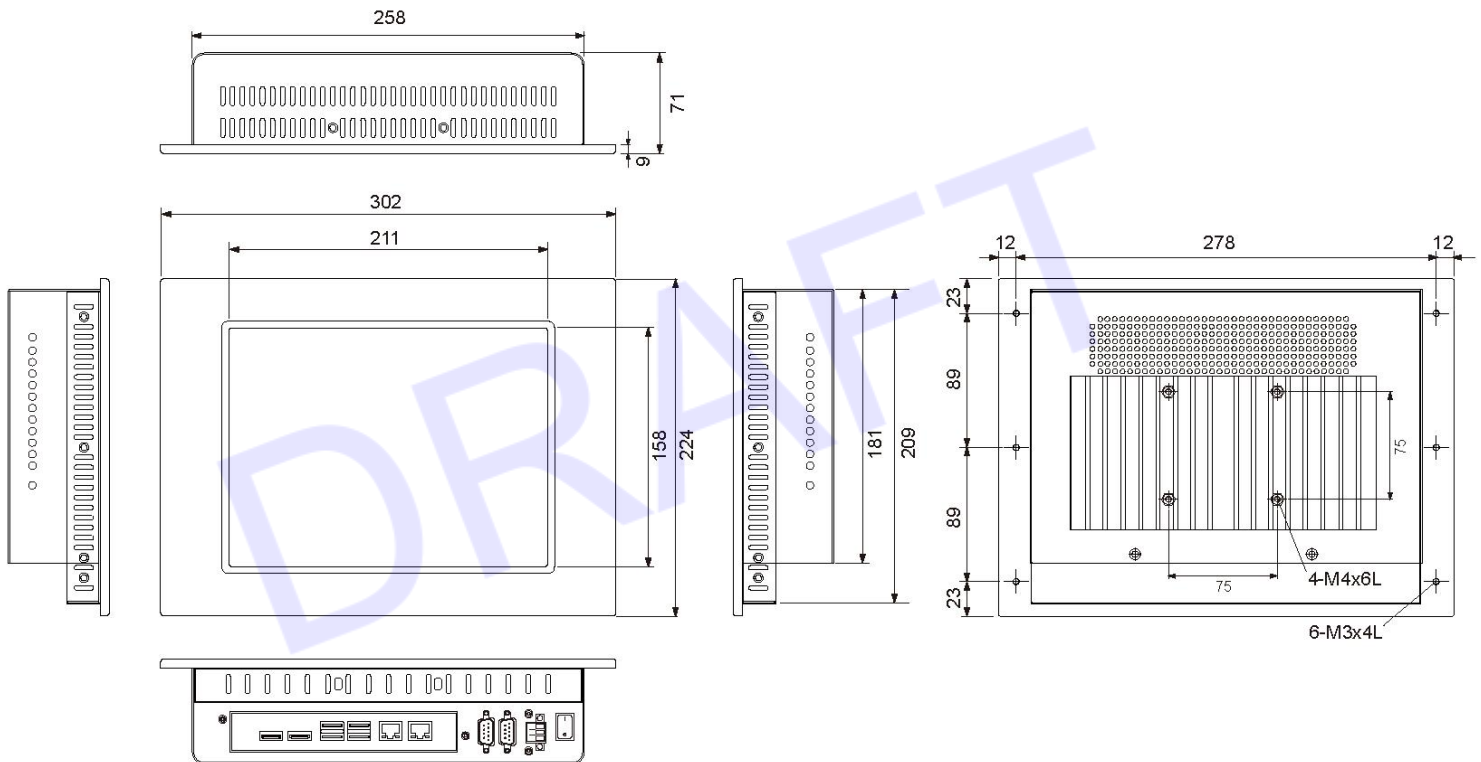


## FEATURES:

- Fanless and rugged design
- 7th Gen Intel Core i5 7300U processors
- Resolution 1024 x 768 dpi
- 5 Wires Resistive touch solution
- IP65 Silver Aluminum front bezel
- 4 x USB, 2 x RS232, 2 x GLAN, 1 x HDMI, 1 x DP
- VESA mount & Panel mount & Clip mount

## MECHANICAL DRAWINGS:

*This is subject to change without Notice. Final Drawings Will be Provided for Approval after Order.*



Drawing No.: KPC1040i5-TR-07212023-V1

## SPECIFICATIONS:

<b>SYSTEM</b>	
<b>CPU</b>	7th Gen Intel i5 7300U CPU (On Board)
<b>Memory</b>	1 x 260-pin DDR4 2133MHz SODIMM up to 16 GB
<b>H/W MONITOR</b>	
<b>Watchdog Timer</b>	Watch Dog Timer 256 Level
<b>I/O PORTS</b>	
<b>RS232</b>	2 for SP122R075/076/077S, 1 for SP105R075/076/077S
<b>HDMI</b>	1
<b>DP</b>	1
<b>USB</b>	4
<b>GLAN</b>	2
<b>STORAGE</b>	
<b>Storage</b>	1 x SATA 3.0 2.5" HDD/SSD
<b>EXPANSION</b>	
<b>Mini PCI-E</b>	2 x Full-size
<b>POWER REQUIREMENT</b>	
<b>Power Requirement</b>	3 Pin power terminal block for DC in 12 ~ 24V
<b>TOUCH SCREEN</b>	
<b>Touch screen</b>	5 Wires Resistive (one touch)
<b>OS SUPPORT</b>	
<b>OS support</b>	Win Pro 7, 8.1, 10 / Embedded Win 7, 8.1, 10 / Fedora 25 Ubuntu 16.04
<b>DISPLAY</b>	
<b>Size</b>	10.4" TFT (4:3)
<b>Resolution</b>	1024 x 768
<b>Colors</b>	16.7M
<b>Luminance</b>	350 cd/m2
<b>Contrast Ratio</b>	900 : 1
<b>View Angle (H/V)</b>	150°/150°
<b>MECHANICAL &amp; ENVIRONMENTAL</b>	
<b>Operation Temp.</b>	0 ~ 45°C
<b>Storage Humidity</b>	10 ~ 90%, non-condensing
<b>Mount</b>	VESA mount (75 X 75mm) & Panel mount & Clip mount
<b>Dimension (WxHxD)</b>	302 x 224 x 71 mm
<b>Weight</b>	3.4 kg
<b>OPTIONAL</b>	
external antenna ( WIFI )	
1600 cd/m2 High Brightness 10.4" LCD panel 1024 x 768 dpi	
Optical Bonding	
8pcs x Clips	
1 x RS232 cable	
1 x USB	
Waterproof sponge	
<b>OPTIONAL HB PANEL</b>	
<b>Resolution</b>	1024 x 768
<b>Color</b>	16.7M
<b>Luminance</b>	1000 cd/m2
<b>Contrast Ratio</b>	900 : 1
<b>Viewing Angle (H/V)</b>	150°/150°

*\*Specifications subject to change without notice, not responsible for typographical errors.*