

IP66 Front FANLESS TOUCH PANEL PC

10.4" Fanless Panel PC, True Flat PCAP Touch screen, Intel i5 7300U
1 xHDMI, 1 xDP ++, 4 xUSB, 2 xLAN, 2 xRS232, 1 x12V DC in External
Power Adapter, VESA Mounting & Panel Mounting, 1024x768 DPI



Model: KPC1040i5-FPCAP

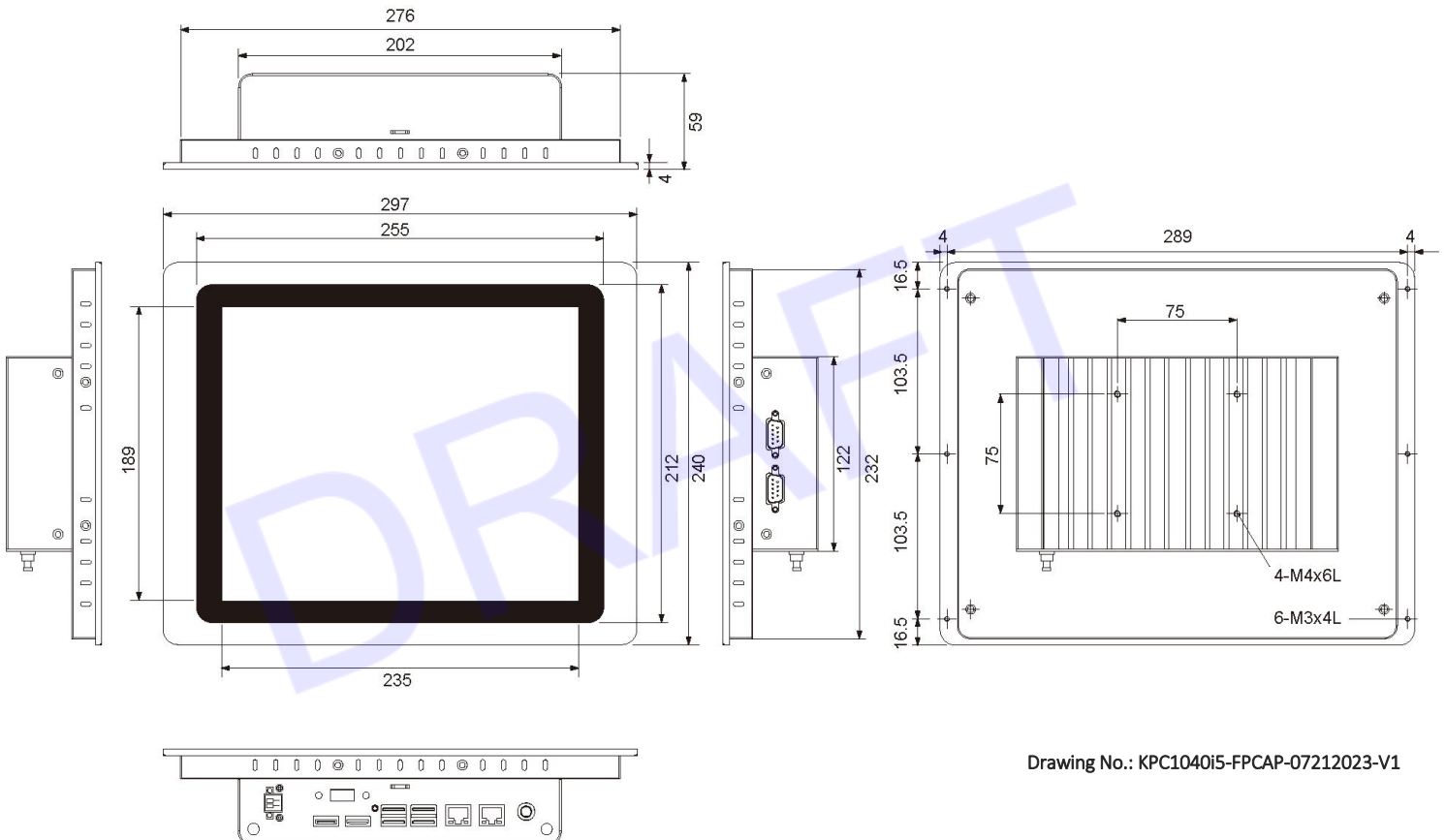


FEATURES:

- Fanless and rugged design
- 7th Gen Intel Core i5 7300U Processor
- Resolution 1024 x 768 dpi
- True Flat PCT touch solution
- IP66 Silver Aluminum front bezel
- 4 x USB, 2 x RS232, 2 x GLAN, 1 x HDMI, 1 x DP
- VESA mount & Panel mount & Clip mount

MECHANICAL DRAWINGS:

This is subject to change without Notice. Final Drawings Will be Provided for Approval after Order.



Drawing No.: KPC1040i5-FPCAP-07212023-V1

SPECIFICATIONS:

SYSTEM	
CPU	7th Gen Intel Core i5 7300U CPU (On Board)
Memory	1 x 260-pin DDR4 2133MHz SODIMM up to 16 GB
H/W MONITOR	
Watchdog Timer	Watch Dog Timer 256 Level
I/O PORTS	
RS232	2
GLAN	2
USB	4
HDMI	1
DP	1
STORAGE	
Storage	1 x SATA 3.0 2.5" HDD/SSD
EXPANSION	
Mini PCI-E	2 x Full size
POWER REQUIREMENT	
Power Requirement	2 Pin power terminal block for DC in 12V ~ 24V
TOUCH SCREEN	
Touch screen	PCT
OS SUPPORT	
OS support	Win Pro 7, 8.1, 10 / Embedded Win 7, 8.1, 10 / window IoT
DISPLAY	
Size	10.4" TFT (4:3)
Resolution	1024 x 768
Colors	16.7M
Luminance	350 cd/m2
Contrast Ratio	900 : 1
View Angle (H/V)	150°/150°
MECHANICAL & ENVIRONMENTAL	
Operation Temp.	0 ~ 45°C
Storage Humidity	10 ~ 90%, non-condensing
Mount	VESA mount (75 X 75 mm) & Panel mount & Clip mount
Dimension (WxHxD)	297 x 240 x 59 mm
Weight	TBD
OPTIONAL	
external antenna (WIFI)	
Optical Bonding	
1600 cd/m2 High Brightness 10.4" LCD panel 1024 x 768 dpi	
8pcs x Clips	
1 x RS232/422/485	
Waterproof sponge	
OPTIONAL HB PANEL	
Resolution	1024 x 768
Color	16.7M
Luminance	1000 cd/m2
Contrast Ratio	900 : 1
Viewing Angle (H/V)	150°/150°

**Specifications subject to change without notice, not responsible for typographical errors.*