

# FANLESS PANEL PC

7" 450cd/m<sup>2</sup> 1024x600 fanless Panel PC with Intel Celeron J6412 on-board Processor, TDP 10W, 8GB LPDDR4 on-board, 802.11a/b/g/n/ac/ax WiFi&Bluetooth@5.2 module, PCAP touch, R10,

**\*\* NO STORAGE NO OS \*\***



**Model: AFPCW700-J6**



## FEATURES:

### Intel Celeron J6412 SoC

Intel Elkhart Lake low power SoC, adopting 10nm process, 4-core 4-thread, 2.00GHz base frequency and up to 2.60GHz burst frequency.

### Support 4K UHD Display Output

10th generation Intel® Ultra HD graphics engine allows the system to display video and images in stunning 4K resolution over HDMI 1.4b

### Anti-glare and Anti-UV PCAP

With anti-glare and anti-UV coating, the 10-point touchscreen can display clearly without reflection for a long time use in outdoors and bright light environment.

### Works with Gloves and Water

The equipped capacitive touch screen supports gloved operation and waterproof function that can effectively eliminate false touch operating caused by water spray.

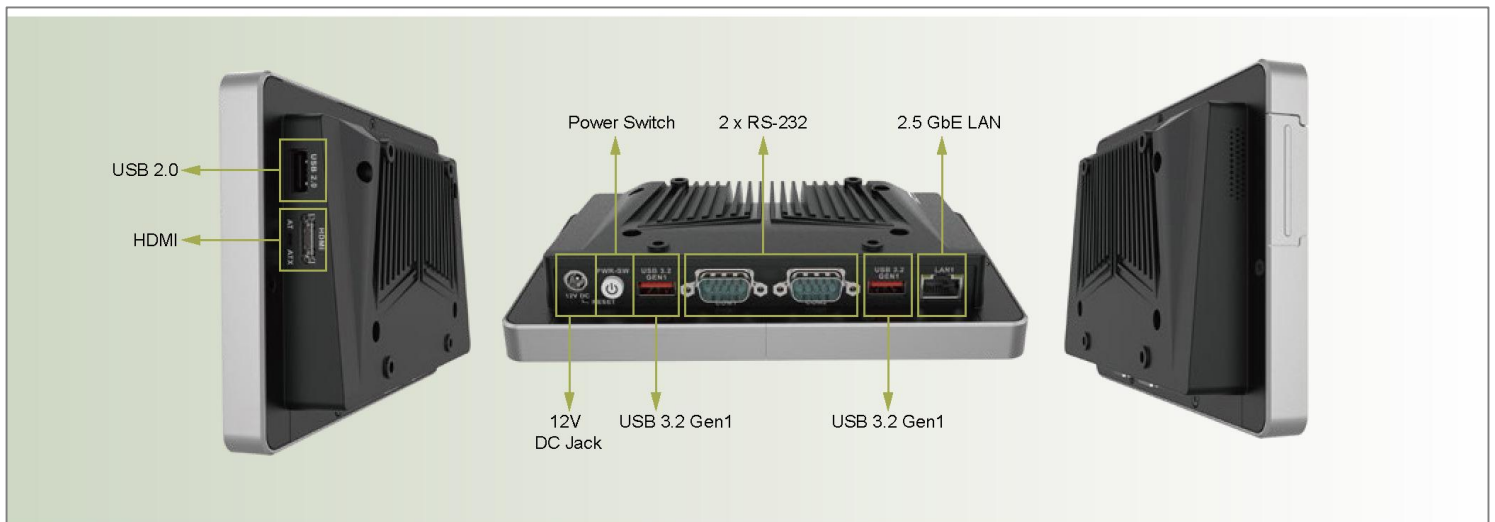
### Extensive I/O Interfaces

The panel PC is small, but comes with abundant I/O for a variety of application scenarios. It includes two UART, three USB, one 2.5G network port and one HDMI interface.

### Support WiFi 6E and Bluetooth 5.2

Strong Wi-Fi 6E wireless network capability provides more bandwidth, and the low latency Bluetooth 5.2 connection is more stable and consumes less power.

## INPUT/OUTPUT

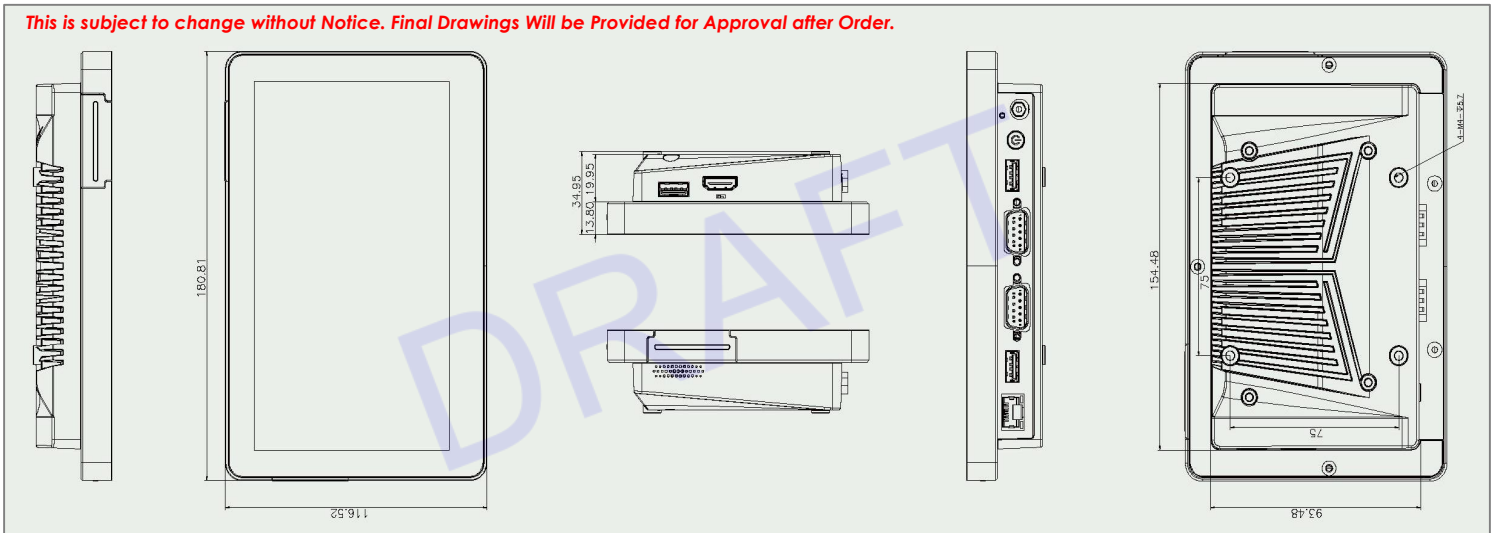


## SPECIFICATIONS:

<b>LCD</b>	LCD Size	7" (16:9)
	Resolution (WxH)	1024 x 600
	Brightness (cd/m <sup>2</sup> )	450
	LCD Color Pixel	16.2M
	Pitch (mm)	0.1506 x 0.1432
	Contrast Ratio	800:1
	Viewing Angle (H-V)	170°/170°
	Backlight MTBF	20000 hours
<b>Touch Panel</b>	Touch Screen	PCAP with USB interface (Anti-UV/AG coating)
	Touch IC	EETI EXC 81 Series
<b>Motherboard</b>	SoC	Intel® Celeron® Processor J6412 1.5M Cache, up to 2.60 GHz / TDP 10W
	RAM	Dual channel 8GB LPDDR4x on board
	Ethernet	LAN1: Intel® I225V 2.5GbE controller
	Audio Codec	Realtek ALC888S
	Storage	128G eMMC (optional)
	Expansion	1 x M.2 M key 2242 (PCIe Gen3 x1 or SATA) 2 x RS-232/422/485 by DB9
	I/O Port & Switch	1 x 2.5GbE LAN 2x USB 3.2 Gen1 1 x USB 2.0 1 x HDMI output 1 x 12V DC jack 1 x Power button 1 x Reset button 1 x AT/ATX switch
<b>Speaker</b>	AMP 1.2W (internal speaker)	
<b>Wireless &amp; Bluetooth</b>	IEEE 802.11ax 2T2R module (Wi-Fi 6E) with BT v5.2 (M.2 2230 A Key)	
<b>Physical</b>	Body Material	Aluminum die casting
	Mounting	Wall, Stand, Arm, VESA 75
	Color	Silver+Black
<b>Environment</b>	Operating Temperature (°C)	-10 ~ 40
	Storage Temperature (°C)	-20 ~ 60
	Humidity	10% to 95%@40°C (non-condensing)
	Safety & EMC	CE/EMC, UKCA, FCC, RED (Class A)
	Thermal Solution	Fanless
	Power Input	12V DC
	IP level	Front Panel Compliance IP64
	Net weight	0.740 kg
	ErP	ErP 2009/125/EC
	OS Support	Windows 10/11 IoT / Linux

## MECHANICAL DRAWINGS

*This is subject to change without Notice. Final Drawings Will be Provided for Approval after Order.*



Drawing No.: AFPCW700-J6-08182023-V1

Modified Date: 08-18-2023