

FANLESS PANEL PC - POE

7" 500cd/m2 1024x600 Fanless Panel PC with Intel® Celeron® Processor N3350 (6W) on-board Processor , on-board POE at, 1*4GB DDR3L , 802.11a/b/g/n/ac WiFi module, PCAP touch,R10

**** NO STORAGE NO OS ****



Model: AFPCW700-J3

FEATURES:

- 12V DC input with lockable DC jack
- Selectable AT/ATX power mode
- Built-in speakers
- Support PoE PD IEEE803.2 af/at
- IP65 compliant front panel
- Touch screen with anti-UV / anti-glare coating
- Support Auto Flow Control over RS-485

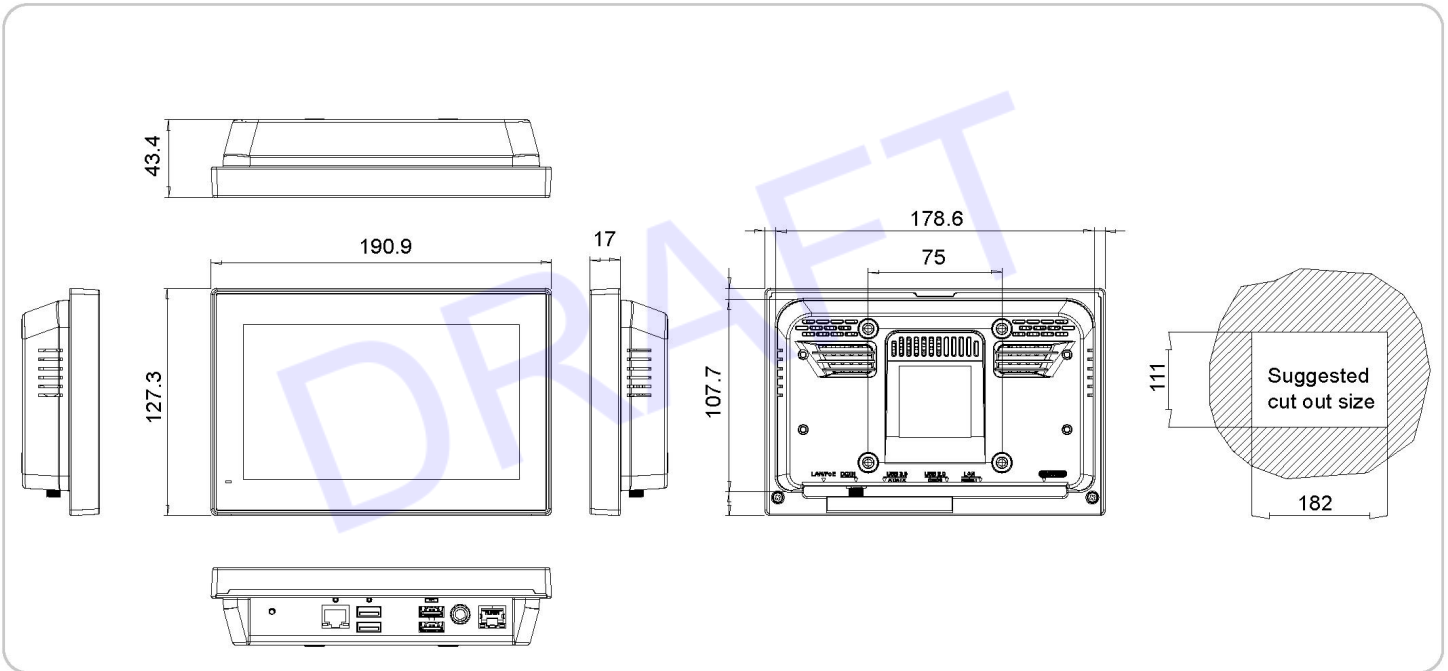


SPECIFICATIONS:

LCD	Size	7"
	Resolution	1024 x 600 (16:9)
	Brightness (cd/m ²)	500
	Contrast Ratio	700:1
	Viewing Angle (H-V)	150 / 145
	Backlight MTBF	20000
Touch	Touch Screen	PCAP with USB interface (anti-UV/AG coating)
	Touch Controller	EETI 80H60
Mainboard	CPU	Intel® Celeron N3350 (2M Cache, up to 2.4 GHz) TDP 6W
	RAM	one 204-pin 1866MHz DDR3L DIMMs support up to 8GB
	Ethernet	LAN1: Intel® I211 + LAN2: Intel® I211
	Audio Codec	Realtek ALC 888S
Storage		1 x M.2 B+M key 2242 slot (USB/SATA signal)
I/O Ports & Switch		2 x GbE LAN
		2 x USB 3.2 Gen 1 (5Gb/s)
		2 x USB 2.0
		1 x 12V DC Jack
		1 x Power Button
		1 x Reset button
		1 x Clear CMOS button
	1 x AT/ATX switch	
PoE Support		On board PoE at
Audio		AMP 2W (internal speaker)
Wireless & Bluetooth		IEEE 802.11 a/b/g/n/ac, Bluetooth V4.1
		M.2 slot A+E key 2230 slot (PCIe/USB signal)
Physical	Construction Front Panel	PC + ABS Plastic
	Mounting	Panel, Wall, Stand and Arm VESA 75mm x 75mm
	Color	Black C
	Dimensions (W x H x D)(mm)	191 x 127 x 43
	Cut-out Dimensions (W x H)	182 x 111
	Net/Gross Weight (kgs)	0.73/1.81
Environment	Operating Temperature (°C) (Ambient with air flow)	-20°C ~ 50°C
	Storage Temperature (°C)	-20°C ~ 60°C
	Humidity	10% to 95% (non-condensing)
	IP Level	IP 65 compliant front panel
	Safety&EMC	CE / FCC class A
Power	Thermal Solution	Fanless
Power	Power Requirement	12V/3A
ErP		ErP 2009/125/EC
Supported OS		Microsoft Windows® 10 / Windows® 11, Linux

MECHANICAL DRAWINGS

This is subject to change without Notice. Final Drawings Will be Provided for Approval after Order.



Drawing No.: AFPCW700-J3-08222023-V1

