

TV ENCLOSURES- Stainless Steel Enclosures



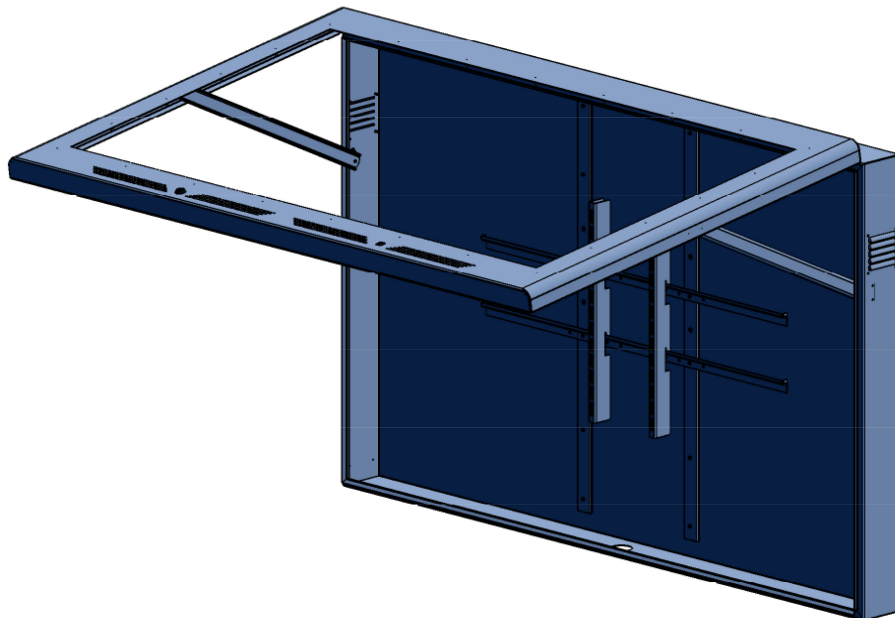
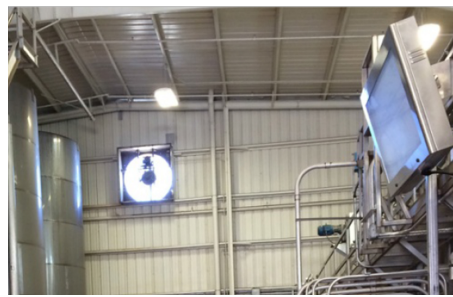
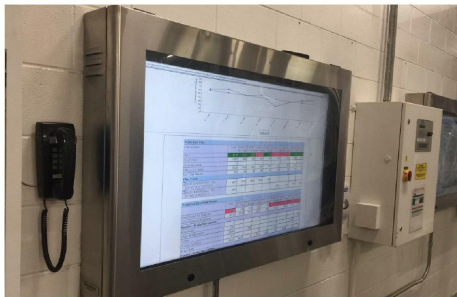
80"(76" - 80" Display) Stainless Steel TV Enclosures including Flush Mounted Keyed Compression Locks, 2 3/8 Grommet for Cable Entry, LCD Mounting Brackets, Shatter Proof Lexan Window, and Fan and Filter System. Enclosure is Theft, Dust, and Water proof (NEMA 4x Rated)

MODEL: OE8000SS

This water, dust, and tamper proof TV enclosure is built to last, perfect for outdoor and public or industrial environments. The TV enclosure door is removable (only when the door is open) with a quality lift-off hinge system for quick access. *Direct sunlight applications may require additional cooling options.

KEY FEATURES AND BENEFITS:

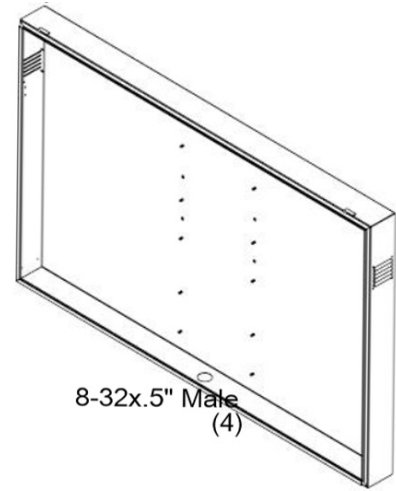
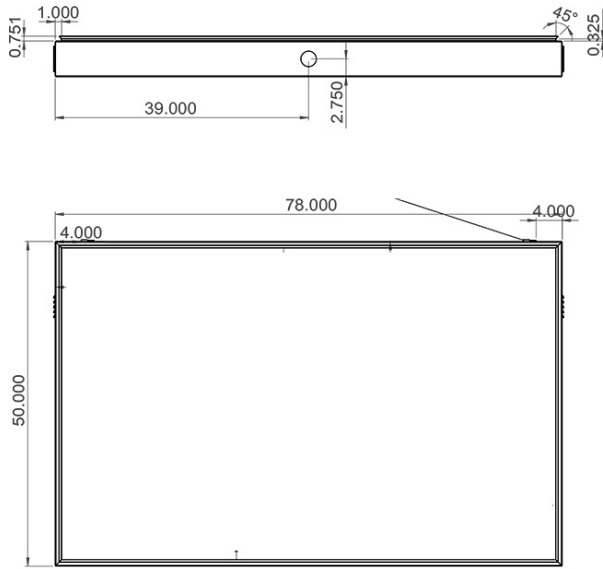
- NEMA 4X Rated: Waterproof, Dustproof, and Tamperproof
- Stainless Steel Construction
- Durable Welded Steel Frame with Hinged Door
- Clear or Anti-Glare Polycarbonate Window, Shatterproof
- High-Quality German Engineered Compression Locks with Keys
- Efficient 110 CFM Axial Fan and Filter System
- Easily Cleanable or Inexpensively Replaceable Filter
- Internal Adjustable VESA Mount Bracket, Compatible with All TVs
- Wall Mountable without Bulky Exterior Bracket, Streamlined Design



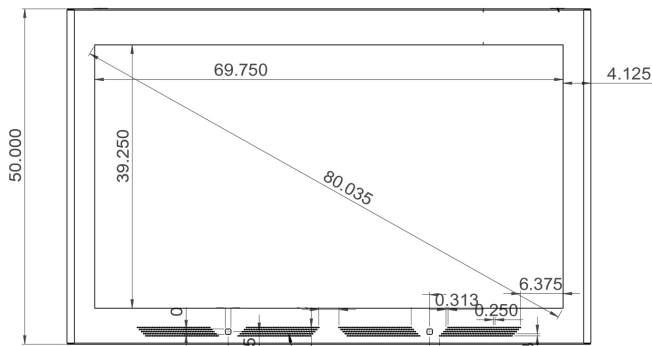
MECHANICAL DRAWINGS:

This is subject to change without Notice. Final Drawings Will be Provided for Approval after Order.

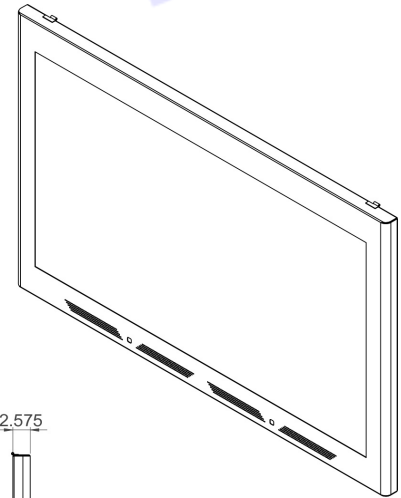
Body 16 Gauge Mild Steel



Door 14 Gauge Mild Steel



Speaker Holes



2.575

Drawing No.: OE8000SS-03272024-V1