

# TV ENCLOSURES- Stainless Steel Enclosures



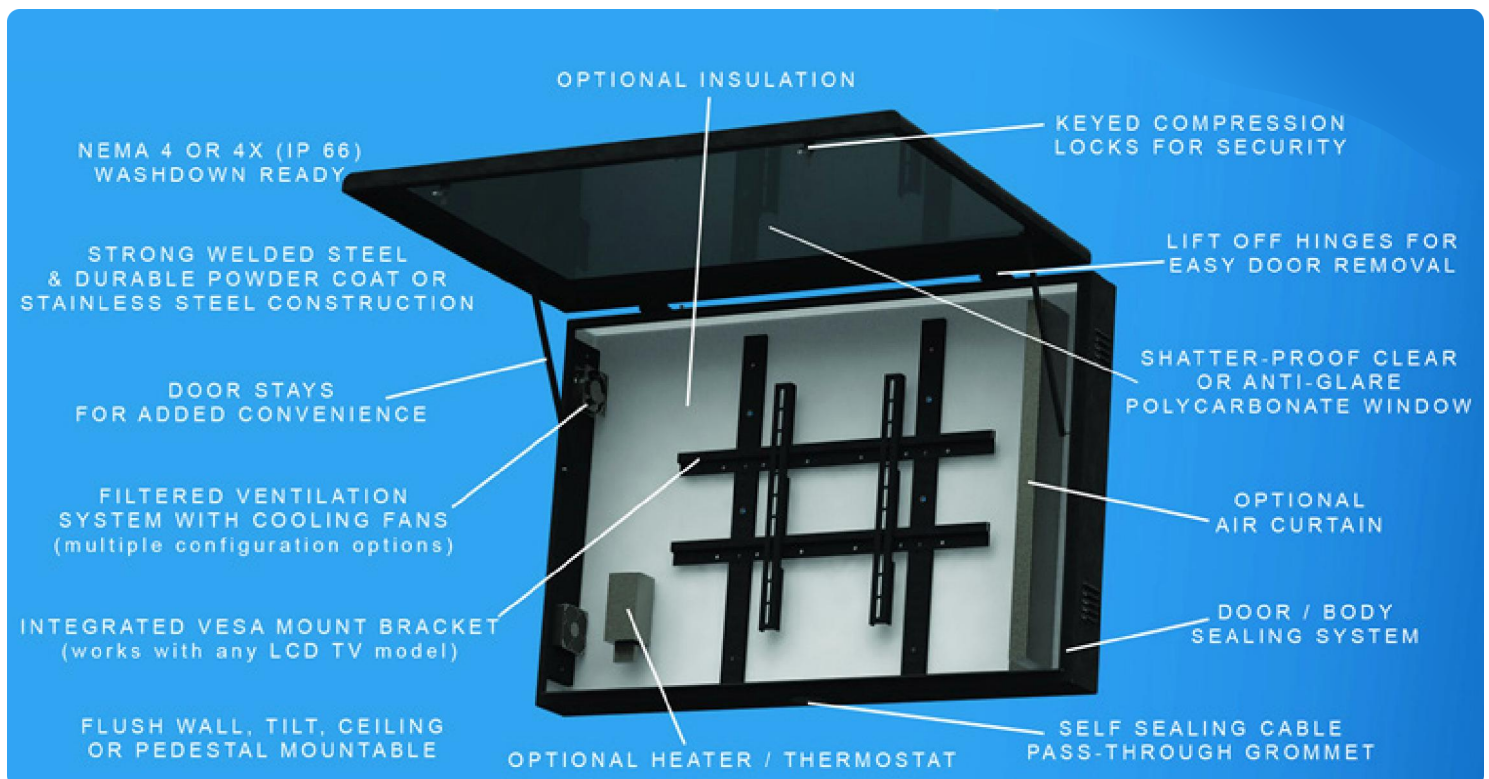
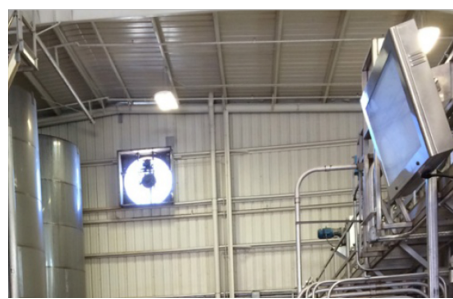
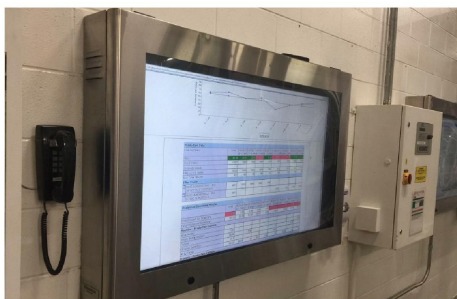
67" - 75" Stainless Steel Enclosure including Flush Mounted Keyed Compression Locks, 2 3/8" Grommet for Cable Entry, LCD Mounting Brackets, Shatter Proof Lexan Window, and Fan and Filter System. Enclosure is Theft, Dust, and Water proof (NEMA 4x Rated)

**MODEL: OE7500SS**

This water, dust, and tamper proof TV enclosure is built to last, is offered in five sizes for 24" - 75" screens (custom sizes and colors available) and is perfect for outdoor and public or industrial environments. The TV enclosure door is removable (only when the door is open) with a quality lift-off hinge system for quick access. \*Direct sunlight applications may require additional cooling options.

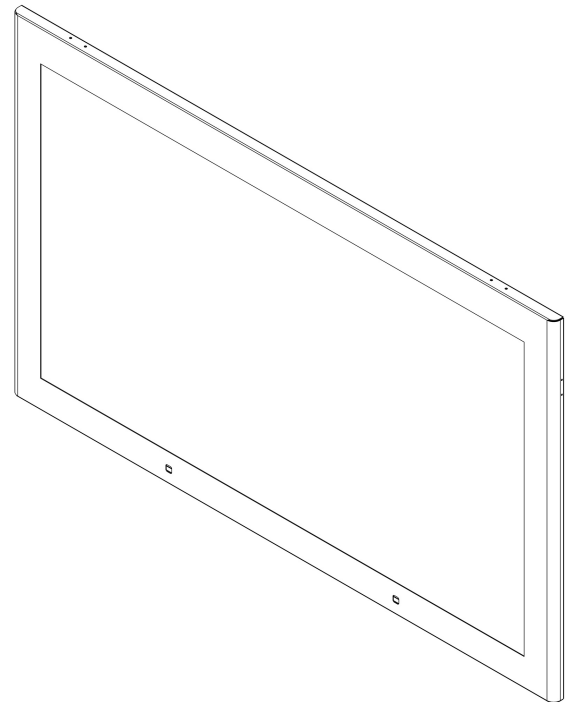
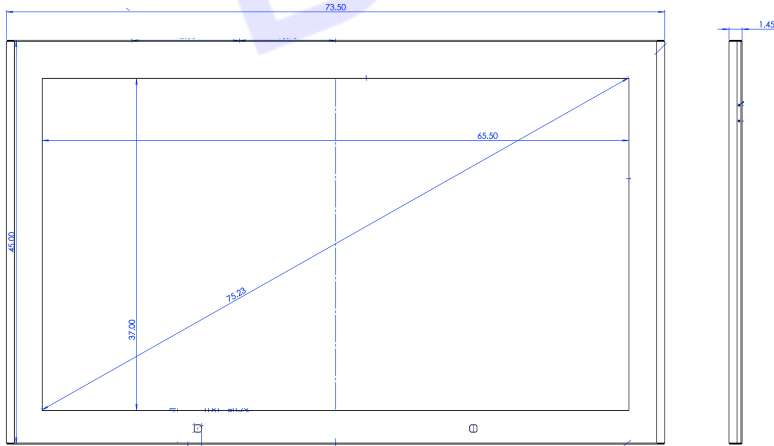
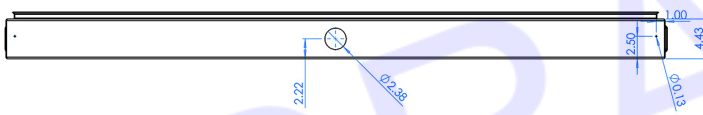
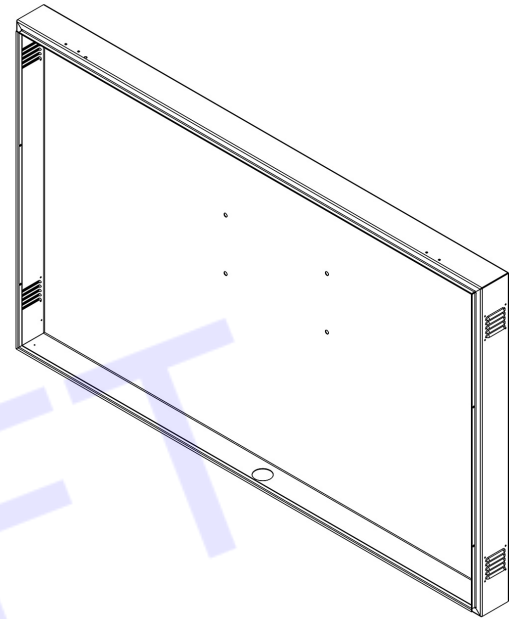
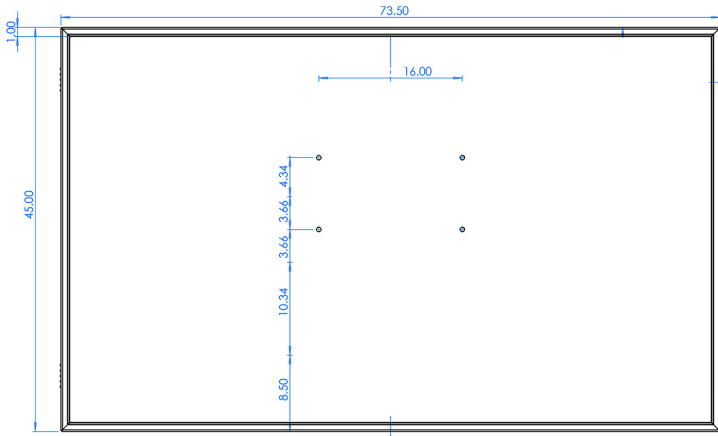
## KEY FEATURES AND BENEFITS:

- Water-proof, Dust-proof, & Tamper-proof -- NEMA 4 / 4X
- Available in Black Powder Coated Steel or Stainless Steel
- Strong, Welded Steel Construction w/ Hinged Door, Built to Last
- Shatter-proof Clear or Anti-Glare Polycarbonate Window
- German Engineered, Keyed Compression Locks
- 110 CFM Axial Fan and Filter System
- Filter is Easily Cleaned or Inexpensively Replaced
- Internal, Adjustable VESA Mount Bracket (fits all TV's)
- Mounts Directly to Wall w/o need for Clunky, Exterior Bracket



# MECHANICAL DRAWINGS:

This is subject to change without Notice. Final Drawings Will be Provided for Approval after Order.



Drawing No.: OE7500SS-06142023-V1