

INDUSTRIAL PANEL PC POE

Fanless/Low Power Consumption IP65 Front, 15" Panel PC w/1GB Memory / 3USB / AUDIO / LAN / Giga LAN / 2COM / DC12~24V/ No storage, No OS license. Certificate: CE, FCC, VCCI, Vibration + PoE 10/100Mbps Ethernet x 1 Support IEEE 802.3AT



Model: XPC1500DC-POE

FEATURES

- DM&P SoC Vortex86DX3- 1GHz
- 1GB / 2GB DDR3 onboard
- 2S/3U/GLAN/LAN/Audio/SATA/CF/12~24V
- 15 inch TFT 1024x768 Resolution LCD with resistive touchscreen
- Operation Temperature: 0 ~ +50°C / -20 ~ +60°C (Optional)
- CF & SATA sockets onboard
- CE/FCC/VCCI Certification, IP65 Front Panel Waterproof, Shock and Vibration
- Wide power voltage input, DC +12~24Vdc
- Optional: 512MB~4GB Flash onboard / GLAN / WLAN / Expansion I/O functions for additional PoE, 5S or 3S with 16bit-GPIO

SPECIFICATIONS

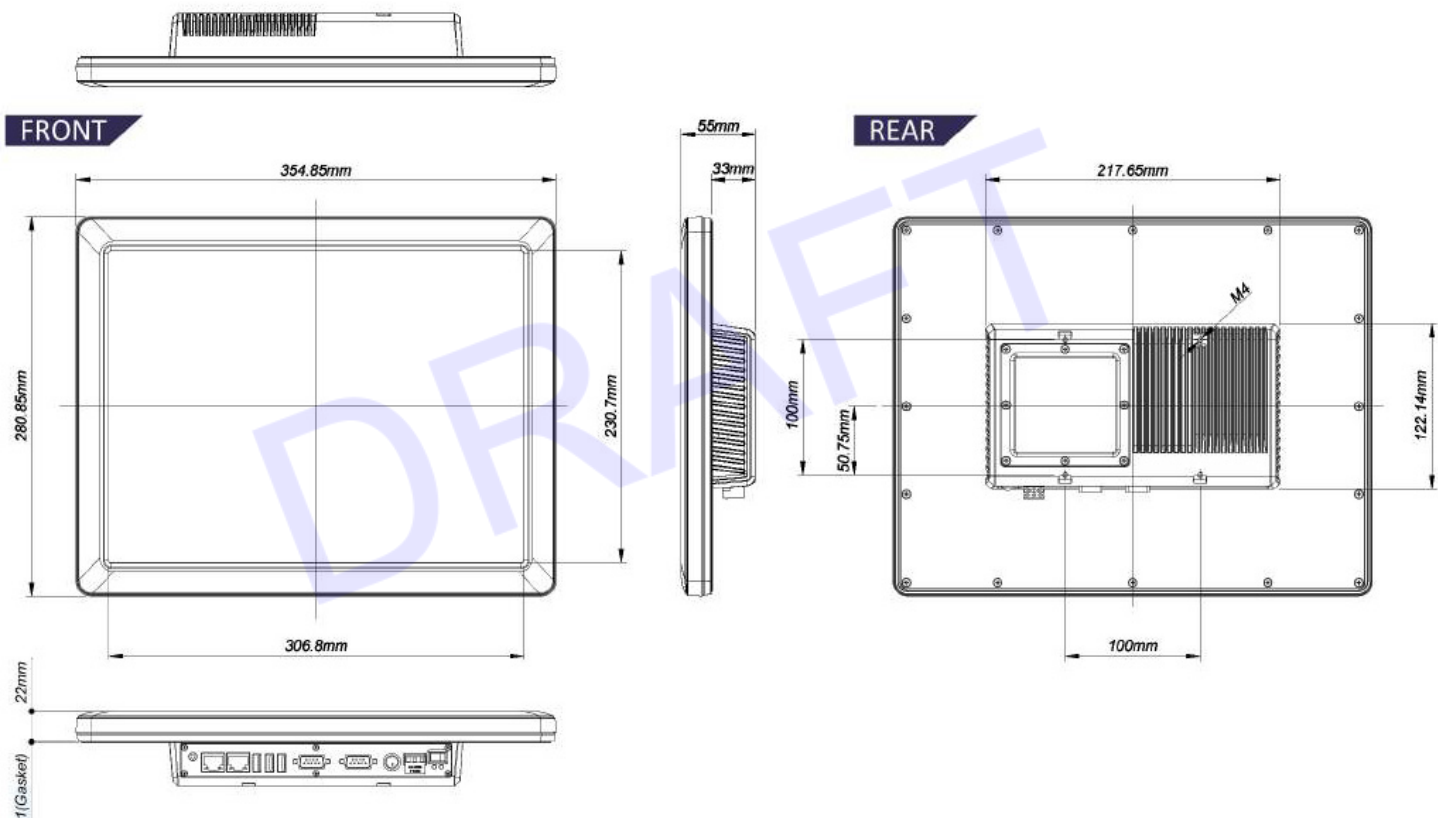
CPU BOARD SPECIFICATIONS	
CPU	DM&P Vortex86DX3-1GHz
Cache	DX3: L1:32KB I-Cache, 32KB D-Cache L2: 512KB Cache
BIOS	AMI BIOS
Memory	512MB / 1GB / 2GB DDR2(DDR3) onboard
Watchdog Timer	Software Programmable from 30.5u to 512 seconds x 2 sets
LAN	Integrated 10/100M Ethernet X1 Giga Ethernet (Optional) X1
PoE	10/100Mbps Ethernet x 1 Support IEEE 802.3AT
Audio	HD Audio-Realtek ALC262 CODEC
Internal Drives	Compact Flash Type I / II Slot SATA SLIM SD Slot (Optional)
I/O	RS-232/422/485 x 2, USB Ports (Ver2.0) x 3, PS/2 KB, Audio-Out, RJ-45 Port x 1 GIGA Ethernet Port X 1 (Optional)
MECHANICAL & ENVIRONMENT	
Power Requirement	+12 ~ 24VDC
Power Consumption	+24VDC@ 1A
Operating Temperature	0~+50°C (+32~+122°F) / -20~+60°C (-4~+140°F)
Storage Temperature	-30~+70°C (-22~ +158°F)
Operating Humidity	0% ~ 90% Relative Humidity, Non-Condensing
Dimensions	354.85x280.35x55mm (13.97"x8.22"x2.16")
Weight	3.8 Kg
Protection	IP65 Front Panel
Certification	CE FCC VCCI Vibration Shock

**Specifications subject to change without notice, not responsible for typographical errors.*

LCD Specifications	
Display Type	15" XGA TFT LCD
Backlight Unit	LED
Display Resolution	1024(W) x 768(H)
Brightness (cd/m ²)	350 cd/m ²
Contrast Ratio	600: 1
LAN	262,144
Pixel Pitch (mm)	0.297 (H) x 0.297 (V)
Viewing Angle	Vertical 160°, Horizontal 160°
Backlight Lifetime	30,000 hrs
Touchscreen	
Type	Analog Resistive
Resolution	Continuous
Transmittance	80%
Controller	PS/2 interface
Software Driver	Linux, WinCE, WinXP, Win7, Windows Embedded Standard
Durability	1 million

MECHANICAL DRAWINGS

This is subject to change without Notice. Final Drawings Will be Provided for Approval after Order.



I/O VIEW / REAR VIEW

Available for max. total 7 RS232 ports or 1 -bit GPIO and 5 RS232 ports solution

