

COMPACT DESIGN PANEL PC

9" TFT 1024x600 Resolution LCD Panel PC DM&P SoC
Vortex86DX3- 1GHz, DC +12~24Vdc, 1GB / 2GB DDR3
onboard with Resistive Touch

Model: XPC0900DX3-2G-POE-TR



FEATURES

- 9" TFT 1024x600 Resolution LCD with Resistive touch screen
- DM&P SoC Vortex86DX3- 1GHz
- 1GB / 2GB DDR3 onboard
- 2S/3U/GLAN/LAN/Audio/SATA/CF/12~24V
- Operation Temperature: 0 ~ +50°C / -20 ~ +60°C (Optional)
- CF & SATA sockets onboard
- CE/FCC/VCCI Certification, IP65 Front Panel Waterproof, Shock and Vibration
- Wide power voltage input, DC +12~24Vdc
- Optional: 512MB~4GB Flash onboard / GLAN / WLAN / Expansion I/O functions for additional PoE, 5S or 3S with 16bit-GPIO

SPECIFICATIONS

| CPU BOARD SPECIFICATIONS | |
|--------------------------|-----------------------------------------------------------------------------------------------------------------------------|
| CPU | DM&P Vortex86DX3-1GHz |
| Cache | DX3: L1:32KB I-Cache, 32KB D-Cache L2: 512KB Cache |
| BIOS | AMI BIOS |
| Memory | 512MB/1GB/2GB DDR2(DDR3) onboard |
| Watchdog Timer | Software Programmable from 30.5u to 512 seconds x 2 sets |
| LAN | Integrated 10/100M Ethernet X1 Giga Ethernet (Optional) X1 |
| PoE (Optional) | Optional upon 10/100Mbps Ethernet x 1 Support IEEE 802.3AT |
| Audio | HD Audio-Realtek ALC262 CODEC |
| Internal Drives | Compact Flash Type I / II Slot SATA SLIM, SD Slot (Optional) |
| I/O | RS-232/422/485 x 2 USB Ports (Ver2.0) x 3 PS/2 KB Audio-Out RJ-45 Port x 1 GIGA Ethernet Port X 1 (Optional) |
| MECHANICAL & ENVIRONMENT | |
| Power Requirement | +12 ~ 24VDC |
| Power Consumption | +24VDC@ 1A |
| Operating Temperature | 0~+50°C (+32~+122°F) / -20~+60°C (-4~+140°F) |
| Storage Temperature | -30~+70°C (-22~ +158°F) |
| Operating Humidity | 0% ~ 90% Relative Humidity, Non-Condensing |
| Dimensions | 242x156.5x44mm (9.68"x6.26"x1.76") |
| Weight | 1.36 Kg |
| Protection | IP65 Front Panel |
| Certification | CE, FCC, VCCI, Vibration and Shock |

**Specifications subject to change without notice, not responsible for typographical errors.*



i-Tech Company LLC

TOLL FREE: (888) 483-2418 • EMAIL: info@itechlcd.com • WEB: www.iTechLCD.com

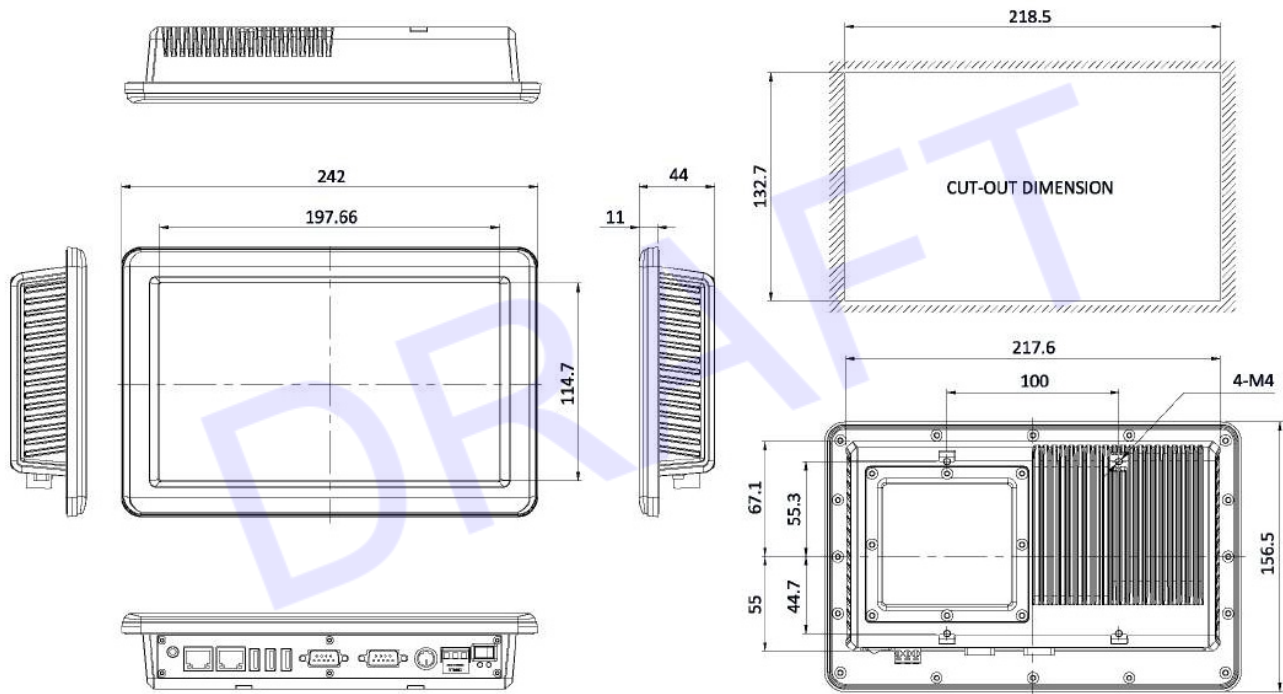
Modified Date: 10-12-2021

| LCD SPECIFICATIONS | |
|---------------------------------|--------------------------------------------------------------|
| Display Type | 9" WSVGA TFT LCD |
| Backlight Unit | LED |
| Display Resolution | 1024(W) x 600(H) |
| Brightness (cd/m ²) | 300 nits |
| Contrast Ratio | 500: 1 |
| Display Color | 262,144 |
| Pixel Pitch (mm) | 190.5 (H) x 189 (V) |
| Viewing Angle | Vertical 120°, Horizontal 140° |
| Backlight Lifetime | 20,000 hrs |
| TOUCHSCREEN | |
| Type | Analog Resistive |
| Resolution | Continuous |
| Transmittance | 80% |
| Controller | PS/2 interface |
| Software Driver | Linux WinCE WinXP Win7 Windows Embedded Standard |
| Durability | 1 million |

**Specifications subject to change without notice, not responsible for typographical errors.*

MECHANICAL DRAWINGS

This is subject to change without Notice. Final Drawings Will be Provided for Approval after Order.



Unit: mm

I/O VIEW & REARVIEW

Available for max total 7 RS232 ports or 1-bit GPIO and 5 RS232 ports solution

