

# 4K SURGICAL DISPLAYS

32" 4K/3D Surgical Display w/ AC-DC Adaptor

**MODEL: GMW3200K-SON**



## SUPERB PICTURE

- 4K Ultra HD resolutions
- High brightness and high contrast
- HDR-Compatible
- Wider color gamut
- Anti-reflection structure

## 3D FEATURES

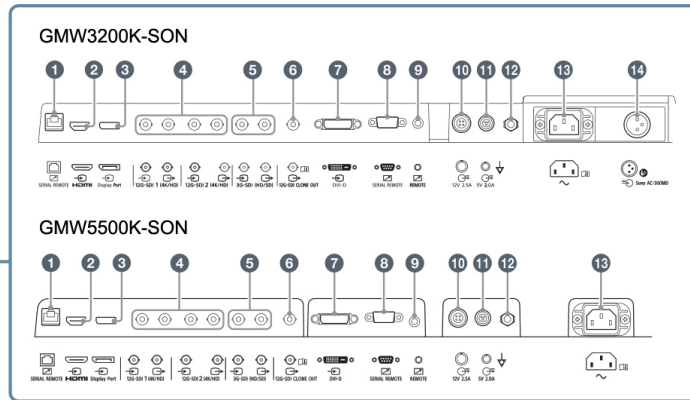
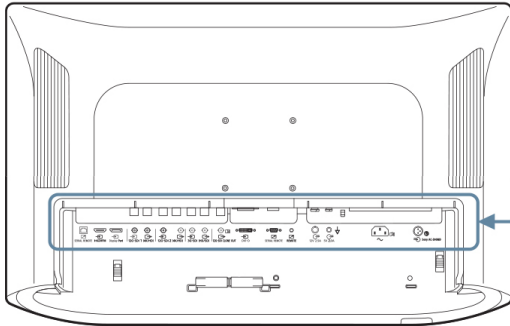
- Various display formats in 3D

## Other features

- HD/SD to 4K upscaling
- 3D/2D color matching function
- Zoom function (1x, 1.2x, 1.5x or 2x)
- Light weight of 10.5 kg for installation flexibility
- Choice of direct AC in or AC adaptor
- Control panel with LED lighting navigation

## Wide range of connectors

Various input/output connectors such as a 12G-SDI and Display Port are available to meet a wide variety of user needs.



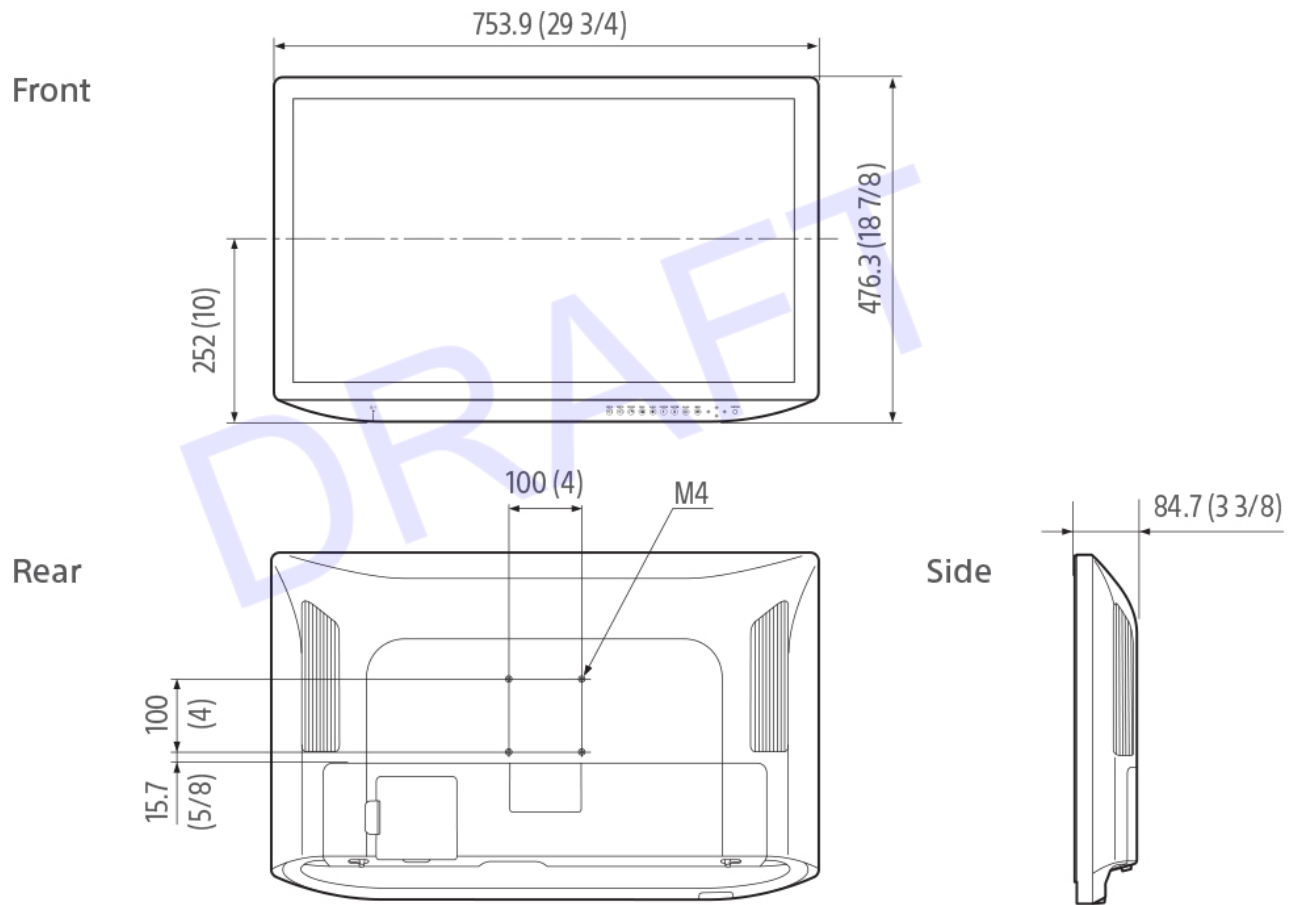
# SPECIFICATIONS

PICTURE PERFORMANCE	
Panel	TFT Active Matrix LCD
Picture Size (Diagonal)	800.757 mm (31 5/8 inches)
Effective Picture Size (H x V)	697.92 x 392.58 mm (27 1/2 x 15 1/2 inches)
Pixel pitch	0.18175 x 0.18175 mm (0.00716 x 0.00716 inches)
Resolution (H x V)	3,840 x 2,160 pixels
Aspect	16:9
Pixel Efficiency	99.99%
Backlight	LED
Panel Technology	LCD with IPS
Luminance (Panel Specification)	650cd/m <sup>2</sup> (Typical) 1750cd/m <sup>2</sup> (Typical, Peak)
Contrast Ratio	1,000,000:1 (Typical)
Colors	10 bit colors (1,073,741,824)
Panel Frame Rate	50/60 Hz
Viewing Angle (Panel Specification)	89°/89°/89°/89° (Typical) (up/down/left/right, contrast > 10:1)
Vertical Viewing Angle (3D Mode)	32° at a viewing distance more than 690mm, crosstalk ratio less than 7% (Typical)
Gamma	1.8, 2.0, 2.2, 2.4, 2.6, DICOM, Highlight, HLG
INPUT	
HDMI Input	HDMI (x1) (HDCP 2.3 correspondence)
DVI-D Input	DVI-D (x1) (TMDS single link, HDCP 1.4 correspondence)
SDI Input	BNC (x2) 12G/3G/HD-SDI
	BNC (x1) 3G/HD/SD-SDI
Display Port	Display Port (x1) (SST HDCP 1.3 correspondence)
Serial Remote (LAN)	D-sub 9-pin (RS-232C) (x1), RJ-45 (x1) (Ethernet, 10BASE-T/100BASE-TX)
Remote	Stereo mini jack (x1)
AC input	AC input connector (x1) AC 100-240 V, 50/60 Hz
DC Input	DC input connector (x1) DC 26 V
OUTPUT	
SDI Output	BNC (x2) 12G/3G/HD-SDI
	BNC (x1) 3G/HD/SD-SDI
CLONE output	BNC (x1) 12G/3G-SDI
DC 5 V / 12 V Output	5 V Output (x1) 2.0 A max
	12 V Output (x1) 2.5 A max
GENERAL	
Power Requirements	AC IN: 100 V - 240 V, 50/60 Hz, 2.4 A - 1.1 A
	DC IN: 26 V, 8.8 A (max) (Supplied from AC adaptor)
Power Consumption	Approx. 230 W (max.)
Operating Temperature	0°C to 40°C (32°F to 104°F)
Operating Humidity	30% to 85% (no condensation)
Storage/Transport Temperature	-20°C to +60°C (-4°F to +140°F)
Storage/Transport Humidity	20% to 90%
Operating/Storage/Transport Pressure	700 hPa to 1060 hPa
Dimensions (W x H x D)	753.9 x 476.3 x 84.7 mm (29 3/4 x 18 7/8 x 3 3/8 inches)
Mass	Approx. 10.5 kg (Approx. 23 lb 2.38 oz)
Mounting (W x H)	100 x 100 mm
IP Code	IP45 (front)/IP32 (others)
SUPPLIED ACCESSORIES	
	AC power cord (1)
	Plug holder for the supplied AC power cord (2)
	Before Using This Unit (1)
	CD-ROM (including the Instructions for Use) (1)
	Service Contact List ( 1)
	M4 x 12 mm Screw (4)
	3D Eye Shield Kit (1)
	Instructions for Use of the 3D Eye Shield Kit (1)
OPTIONAL ACCESSORIES	
	3D Eye Shield Kit
	2D Eye Shield Kit
	3D Eye Shield
	2D Eye Shield
	Shield Cover
	Shield Frame
	Foot Switch
	AC Adaptor
	Monitor Stand

**\*Specifications subject to change without notice, not responsible for typographical errors.**

# MECHANICAL DRAWING

This is subject to change without Notice. Final Drawings Will be Provided for Approval after Order.



Drawing No.: GMW3200K-SON-04112024-V1