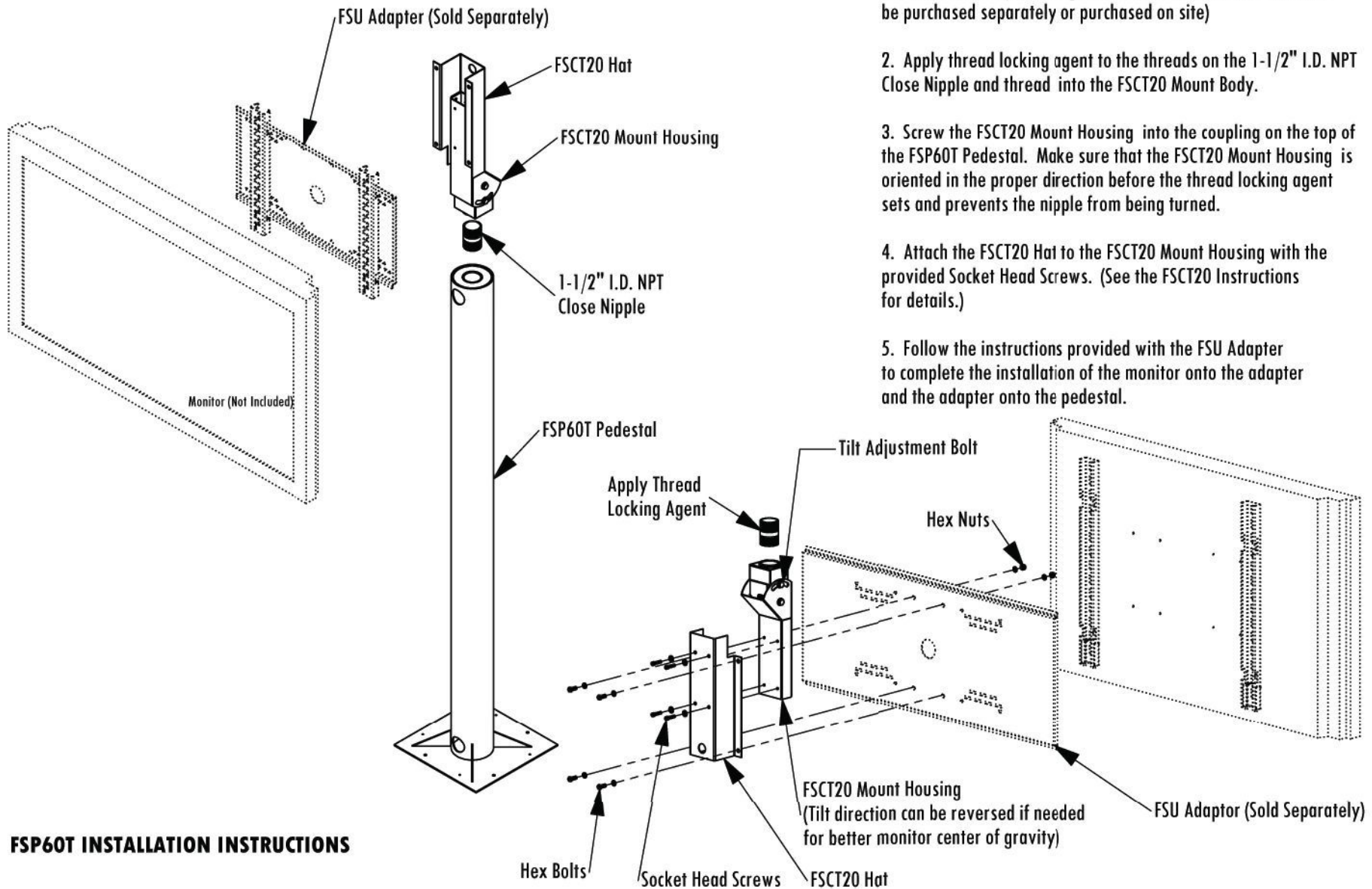


FSP60T - Floor Mounted Flat Screen Pedestal



1. Bolt FSP60T Pedestal to the floor with appropriate concrete or wood fasteners. (Wood Lag Bolts and Concrete Anchor Bolts can be purchased separately or purchased on site)

2. Apply thread locking agent to the threads on the 1-1/2" I.D. NPT Close Nipple and thread into the FSCT20 Mount Body.

3. Screw the FSCT20 Mount Housing into the coupling on the top of the FSP60T Pedestal. Make sure that the FSCT20 Mount Housing is oriented in the proper direction before the thread locking agent sets and prevents the nipple from being turned.

4. Attach the FSCT20 Hat to the FSCT20 Mount Housing with the provided Socket Head Screws. (See the FSCT20 Instructions for details.)

5. Follow the instructions provided with the FSU Adapter to complete the installation of the monitor onto the adapter and the adapter onto the pedestal.

FSP60T INSTALLATION INSTRUCTIONS



Distributed by:

i-Tech Company LLC

TOLL FREE: (888) 483-2418 • EMAIL: info@iTechLCD.com • WEB: www.iTechLCD.com