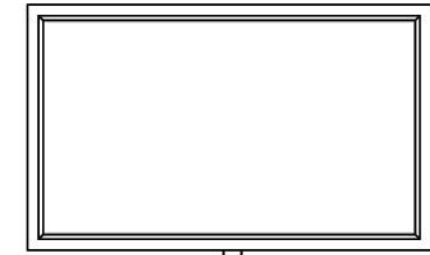
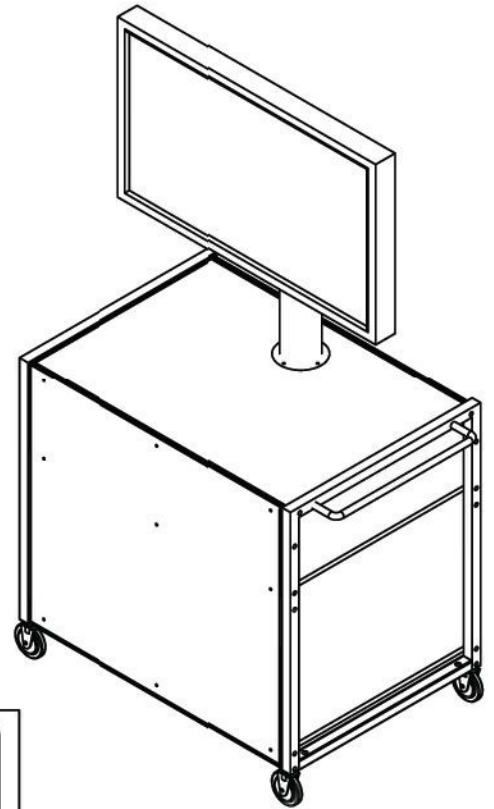


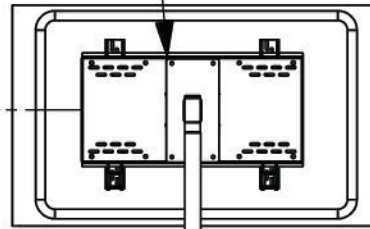
FSCR4028 - Flat Screen Equipment Cart

Model	Load Limit (lbs.)	Dimensions	Cart Wt. (lbs.)	Shipping Wt. (lbs.)
FSCR4028	125	28"W x 40"L x 66" to Monitor C/L	200	250

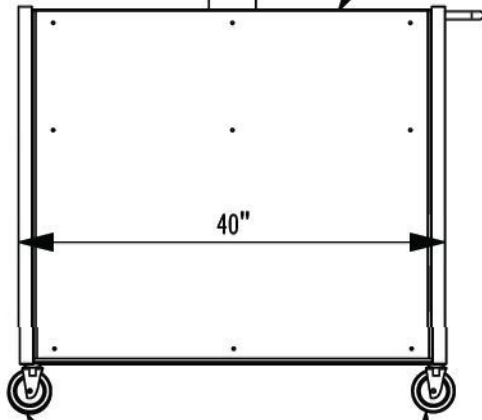


FSUL - Universal Adapter
Included (Specify Monitor
Make and Model)

Plastic Front
Sign Holder
37" x 32"

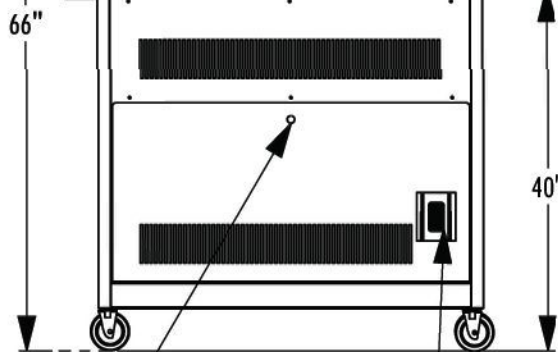


Tower can be removed
for shipping.



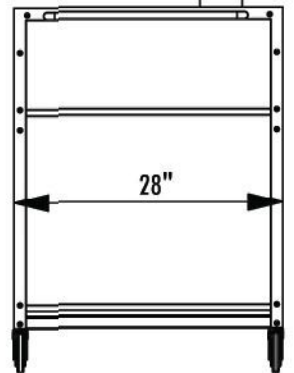
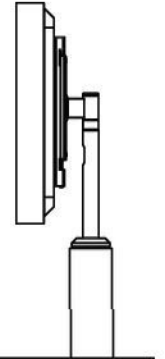
Directional Casters

Rotating and Locking
Casters



Key locking back door
enclosed vented bottom
shelf for CPU.

Retractable Electric Cord
30' with 4 plug extension



Distributed by:

i-Tech Company LLC

TOLL FREE: (888) 483-2418 • EMAIL: info@iTechLCD.com • WEB: www.iTechLCD.com