



SPECIFICATION APPROVAL SHEET

5.6" Digital TFT-LCD Open Frame Module
with Resistive Touch

MODEL: FCOP0560-TR-V2





1. General Description

1.1 Features

- 5.6" (640x480) Digital TFT LCD
- Aspect Ratio: 4:3
- Ultra Compact
- NTSC / PAL /Video Auto Switch
- Input Signal CVBS / S-Video (Option) / Analog RGB (VGA)
- All Functions can be controlled by UART
- Built-in EDID Function
- 4 Wires Resistive Touch Panel
- 6 Key Buttons Controls
- 9 Language OSD Menu
- LED Backlight
- Single Operation Voltage +12V

1.2 Applications

- Industrial
- Medical Environment
- Instrument Display
- Kiosk
- Security
- Signage
- Office Electronics
- Home Application
- Educate Application



2. Contents

Contents	Page
1. General Description.....	1
1.1 Features	1
1.2 Applications	1
2. Contents.....	2-3
3. Specifications.....	4
4. Block Diagram.....	4
5. Order Information.....	5
5.1 Unit	5-6
5.2 Customized	6
5.3 Demo Board (Option)	6
6. Accessories (Option).....	7
7. Operation manual / Connection.....	8
7.1 Driver Board Manual	8
8. Pin Description.....	9-12
8.1 DC JACK : Pin Assignment of Power Input (DC-Jack Inside Diameter:2.1φ Outside Diameter:5.5φ Side Entry Type)	9
8.2 RCA: Pin Assignment of Video Input (RCA JACK Yellow, Side Entry Type)	9
8.3 J105 : Pin Assignment of UART (Pitch 1.25mm 4Pin, Top Entry Type)	9
8.4 J109 : Pin Assignment of Analog RGB Input (D-Sub 15Pin)	10
8.5 J404 : Pin Assignment of Touch USB (USB A Type - Female 2.0mm, Side Entry Type)(Option)	10
8.6 J401B : Pin Assignment of Touch RS232 (D-SUB 9 FEMALE)(Option)	11
8.7 J101A: Pin Assignment of Signal Input (Pitch 1.25mm 8Pin, Top Entry Type)	11
8.8 J501A : Pin Assignment of ADC Key (Pitch 1.25mm 12Pin, Side Entry Type)(Option)	12
8.9 J103 : Pin Assignment of Analog RGB Input (Pitch 2.0mm 14Pin, Side Entry Type)(Option)	12
9. Absolute Maximum Ratings.....	13
9.1 Absolute Maximum Ratings	13
10. Recommended Operating Conditions.....	13
10.1 Electrical Characteristics	13
10.2 Support Display Mode Characteristics	13
11. 4W Resistance Touch Panel Characteristics.....	14-17
11.1 Electrical Performance	14
11.2 Optical Performance	14
11.3 Mechanical Performance	14
11.4 Durability Performance	14
11.5 Resistive Touch Panel Integration Design Guide	15
11.6 Mechanical Design Notice For Resistive Touch Panel	16
11.7 Resistance Touch Panel Operation System Support	17



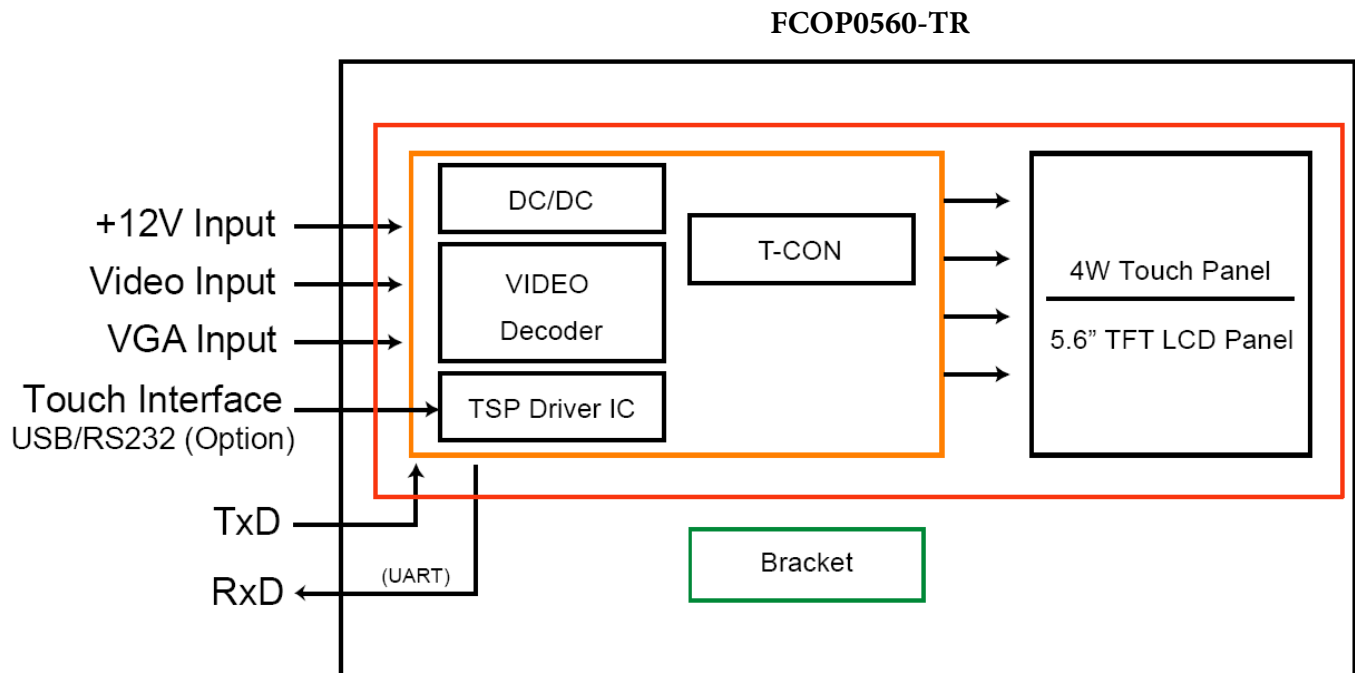
12. Key Function by OSD.....	18-22
12.1 Menu Operation	18-22
13. Dimension Information.....	23-24
13.1 Unit (FCOP0560)	23
13.2 Unit (FCOP0560-TR)	24
14. Appendix.....	25-30
14.1 TFT-LCD Mechanical Specifications	25
14.2 TFT-LCD Optical Characteristics	26
14.3 Application Circuit	27
14.4 MDSM208000-FDR (Option)	28
14.5 Cable: 8P-8P 1.25mm L:100mm (Option)	29
15. Revision History.....	30
15.1 Record of Revision	30

3. Specifications

LCD	
Panel Size	5.6"
Resolution (Pixels)	640 x 480
Color	262K
Luminance without TP	350 cd/m ²
Luminance (RTP)	280 cd/m ²
Contrast Ratio	500
View Angle	70(L) / 70(R) / 50(T) / 70(B)
LED Life Time (Min.)	20K hours
Power Requirement	
Power Input (DC Jack 2.1 φ)	+12 Vdc
PowerConsumption@+12V	3.36W
Touch Screen	
Resistive	USB / RS232 (Option) Interface
Resistive Type Support OS	Windows / Linux /Android / Mac / QNX

Input Signal			
CVBS	RCA JACK		
VGA	D-Sub15		
Controls			
Key	6 Buttons		
Serial Remote Control	UART / RS232 (Option)		
Environment			
Temperature Range	Without TP	Without TP	With 4W RTP
	Operating	-20 ~ +60°C	-20 ~ +60°C
High Temperature &High Humidity(Non-condensing)	Storage	-20 ~ +70°C	-20 ~ +70°C
	Operating	+40°C / 90%	+40°C / 90%

4. Block Diagram





5. Order Information

5.1 Unit

Item	FCOP0560-TR
Power Connector	DC Jack
CVBS (RCA Jack)	1
VGA (DB-15)	⊙
Touch Panel Type	-
Touch Screen Interface	-
6 Keys	Built-in
Serial Remote Control	UART
Dimensions	141.5 x 101.8 x 25.1mm
Weight	230g
Condition	Standard

Item	FCOP0560
Power Connector	DC Jack
CVBS (RCA Jack)	1
VGA (DB-15)	⊙
Touch Panel Type	4W Resistive
Touch Screen Interface	USB
6 Keys	Built-in
Serial Remote Control	UART
Dimensions	141.5 x 101.8 x 26.6
Weight	270
Condition	Standard

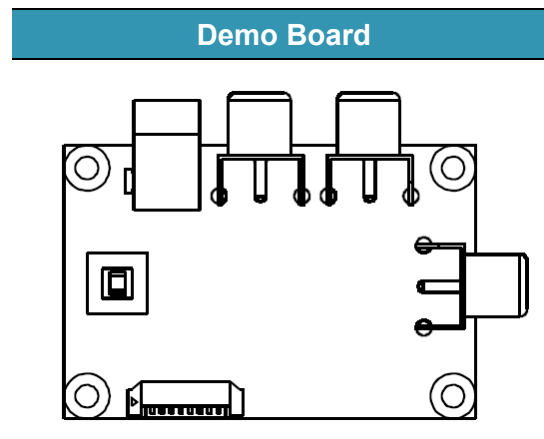
Note: 1. The assembling of panel and bracket is aimed for delivery, packaging and experiment. If the demand of shockproof and long-term fix, pls. have it into consideration of mechanism design.

5.2 Customized

Function	Item
Serial Remote Control	RS232 (DB9)
External Key	5 keys

Note: Special order condition will apply to non-standard items and pls. contact salespersons in i-Tech.

5.3 Demo Board (Option)



6. Accessories (Option)

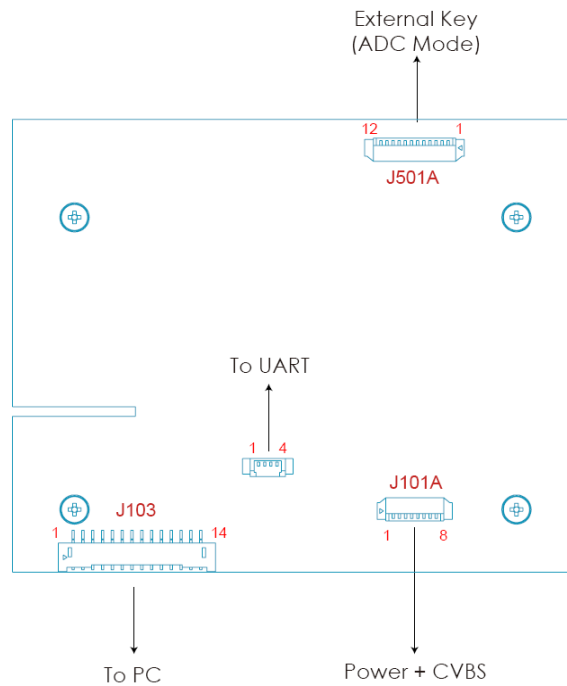
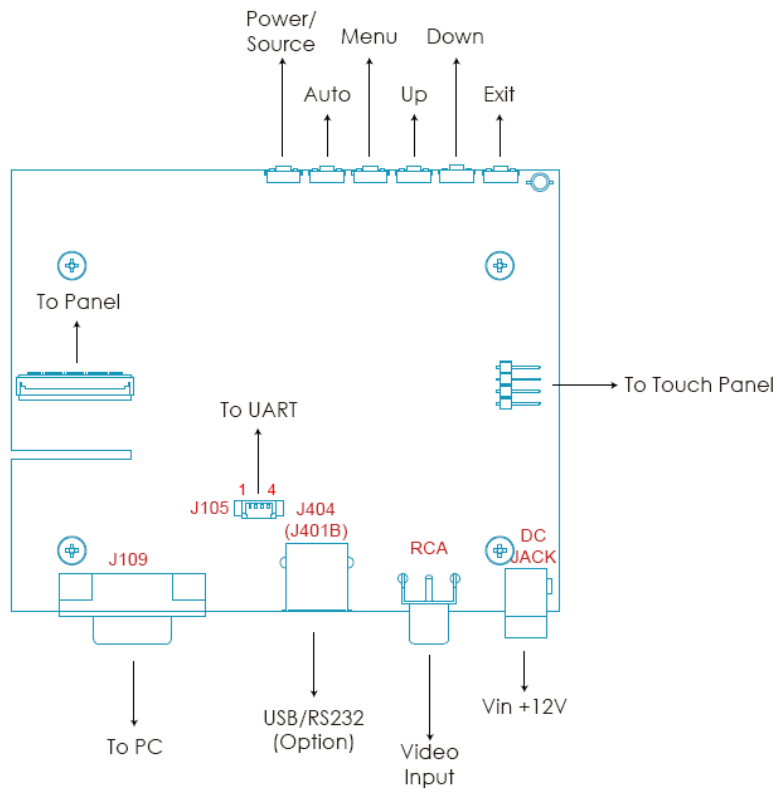
Before you begin installing the KIT, please make sure that the following materials have been shipped:



- A. AC to DC Adapter (L:1500mm,100-240V_{AC} 50-60Hz to +12V_{DC} @ 3.3A, ϕ 2.1)
- B. D Type AC Power Cord (L:1800mm, Plug Type B for USA)
- C. Video Cable (L:1800mm)
- D. VGA Cable DB-15 male to male (L:1800mm)
- E. USB Cable USB Type A male to male (L:1800mm)
- F. RS232 Straight Line Cable DB-9 female to male (L:1800mm)
- G. Touch Screen Driver CD Disk / User Manual

7. Operation manual / Connection

7.1 Driver Board Manual





8. Pin Description

8.1 DC JACK : Pin Assignment of Power Input (DC-Jack Inside Diameter:2.1 ϕ Outside Diameter:5.5 ϕ Side Entry Type)

Pin No.	Symbol	I/O	Description	Remark
1	DC-In	I	+12Vdc Input Voltage	
2	GND	-	Power Ground	

8.2 RCA: Pin Assignment of Video Input (RCA JACK Yellow, Side Entry Type)

Pin No.	Symbol	I/O	Description	Remark
1	Video	I	Video Input	
2	AGND	-	Analog Ground	

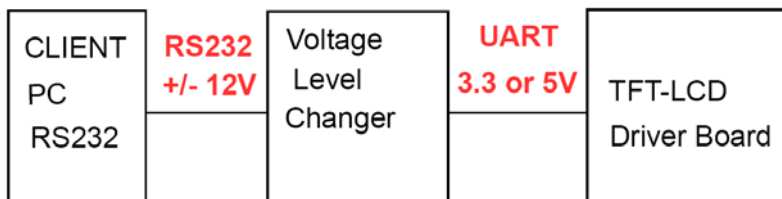
8.3 J105 : Pin Assignment of UART (Pitch 1.25mm 4Pin, Top Entry Type)

※ Connector [Same as 53398-0471 (MOLEX)] ;

※ Matching [Same as 51021-0400 (MOLEX)].

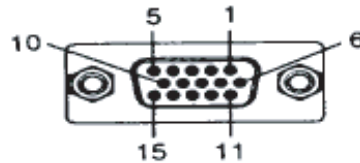
Pin No.	Symbol	I/O	Description	Remark
1	TX / RS232 TX (Option)	O	UART / RS232 (Option) Transmission Data	
2	RX / RS232 RX (Option)	I	UART / RS232 (Option) Receive Data	
3	GND	-	Ground	
4	+3.3Vdc	O	+3.3Vdc Output Voltage	

Note: All Functions can be controlled by UART , About UART command list please contact i-Tech sales.



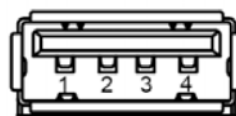
8.4 J109 : Pin Assignment of Analog RGB Input (D-Sub 15Pin)

Pin No.	Symbol	I/O	Description	Remark
1	RI+	I	Analog Red Signal	
2	GI+	I	Analog Green Signal	
3	BI+	I	Analog Blue Signal	
4	NC	-	No Connection	
5	GND	-	Ground	
6	AGND	-	Analog Ground	
7	AGND	-	Analog Ground	
8	AGND	-	Analog Ground	
9	VGA5V	-	VGA +5Vdc Input	
10	NC	-	No Connection	
11	NC	-	No Connection	
12	DDC_SDA	-	DDC2 Data	
13	HS_IN	I	TTL Horizontal sync.	
14	VS_IN	I	TTL Vertical sync.	
15	DDC_SCL	-	DDC2 Clock	



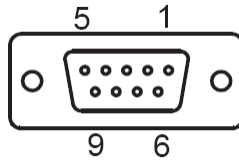
8.5 J404 : Pin Assignment of Touch USB (USB A Type - Female 2.0mm, Side Entry Type)(Option)

Pin No.	Symbol	I/O	Description	Remark
1	VBUS	-	USB VCC	
2	D-	-	DATA (-)	
3	D+	-	DATA (+)	
4	DGND	-	Digital Ground	



8.6 J401B : Pin Assignment of Touch RS232 (D-SUB 9 FEMALE)(Option)

Pin No.	Symbol	I/O	Description	Remark
1	-	-	Don't Connect	
2	TXD	-	Transmit Data	
3	RXD	-	Receive Data	
4	-	-	Don't Connect	
5	GND	-	Ground	
6	NC	-	No Connection	
7	-	-	Don't Connect	
8	-	-	Don't Connect	
9	NC	-	No Connection	



8.7 J101A: Pin Assignment of Signal Input (Pitch 1.25mm 8Pin, Top Entry Type)

※ Connector Part No.: MS24018R (STM) [Same as 53261-0819 (MOLEX)] ;

Matching Connector Part No.: P24018 (STM) [Same as 51021-0800 (MOLEX)].

Pin No.	Symbol	I/O	Description	Remark
1	VCC12V	-	+12V Input Voltage	
2	VCC12V	-	+12V Input Voltage	
3	GND_D	-	Ground	
4	GND_D	-	Ground	
5	VIDEO1	I	Video1 Input Signal	
6	GND_A	-	Ground for Video1	
7	VIDEO2	I	Video2 Input Signal	
8	GND_A	-	Ground for Video2	



8.8 J501A : Pin Assignment of ADC Key (Pitch 1.25mm 12Pin, Side Entry Type)(Option)

※ Connector Part No.: MS240112R (STM) [Same as 53261-1219 (MOLEX)] ;

※ Matching Connector Part No.: P240112 (STM) [Same as 51021-1200 (MOLEX)].

Pin No.	Symbol	I/O	Description	Remark
1	SW5	I	EXIT	
2	SW4	I	DOWN	
3	SW3	I	UP	
4	SW2	I	MENU / S	
5	SW1	I	POWER / SOURCE	
6	-	-	Don't Connect	
7	GND	-	Ground	
8	VDDP	-	+3.3Vdc Output Voltage	
9	-	-	Don't Connect	
10	RED	O	Indicator red LED for power off control	
11	GREEN	O	Indicator green LED for power off control	
12	GND	-	Ground	

8.9 J103 : Pin Assignment of Analog RGB Input (Pitch 2.0mm 14Pin, Side Entry Type)(Option)

※ Connector Part No.: MS242614R (STM) [Same as S14B-PH-SM4-TB (JST)] ;

※ Matching Connector Part No.: P242614 (STM) [Same as PHR-14 (JST)].

Pin No.	Symbol	I/O	Description	Remark
1	NC	-	No Connect	
2	DDC-SCL	-	DDC2 Clock	
3	DDC-SDA	-	DDC2 Data	
4	GND	-	Ground	
5	VGA5V	-	VGA +5Vdc Input	
6	VS_IN	I	TTL Vertical sync.	
7	HA_IN	I	TTL Horizontal sync.	
8	AGND	-	Analog Ground	
9	RI+	I	Analog Red Signal	
10	AGND	-	Analog Ground	
11	GI+	I	Analog Green Signal	
12	AGND	-	Analog Ground	
13	BI+	I	Analog Blue Signal	
14	GND	-	Ground	



9. Absolute Maximum Ratings

9.1 Absolute Maximum Ratings

Parameter	Symbol	Min	Max	Unit	Remark
Input Voltage	Vin	+9	+15	V	
Video Input Signal	Video in	0.5	2.0	Vp-p	@75Ω
S-Video Input Signal	S-Video in	0.5	2.0	Vp-p	@75Ω
Analog RGB Input Signal	Analog RGB in	0.5	2.0	Vp-p	@75Ω
Digital Input Signal	TTL	+0.3	+3.6	V	
Operating Temp. without TP		-20	+60	°C	
Operating Temp. with 4W RTP		-20	+60	°C	
Storage Temp. without TP		-20	+70	°C	
Storage Temp. with 4W RTP		-20	+70	°C	
High Temperature & High Humidity (Non-condensing) without TP		-	+40 / 90	°C / %	
High Temperature & High Humidity (Non-condensing) with 4W RTP		-	+40 / 90	°C / %	

10. Recommended Operating Conditions

10.1 Electrical Characteristics

Parameter	Symbol		I/O	Min	Typ	Max	Unit	Note
Input Voltage	Vin		I	+10	+12	+14	V	
Total Current	Iin (+12V)		I	-	280	-	mA	±15%
Power Consumption			I	-	3.36	-	W	@+12V Note
Output Voltage	VDD		O	+3.2	+3.3	+3.4	V	I=10mA
Video Input Signal	Video in		I	-	1.0	-	Vp-p	@75Ω
S-Video Input Signal	S-Video in	Y	I	-	0.7	-	Vp-p	@75Ω
		C	I	-	0.286	-	Vp-p	@75Ω
Analog RGB Input Signal	Analog RGB	R/G/B	I	-	0.7	-	Vp-p	@75Ω

Note: Test Condition

1. CVBS : NTSC & color bar · Dimmer(default)=9
2. VGA: Resolution 640x480 @ input = PC desktop screen @ Dimmer(default)=9

10.2 Support Display Mode Characteristics

Dots per inch	Standard	H	Unit	Polarity	V	Unit	Polarity	Note
640 × 480	VGA	31.5	KHz	Negative	59.9	Hz	Negative	
800 × 600	VESA	37.9	KHz	Positive	60.3	Hz	Positive	
1024 × 768	VESA	48.4	KHz	Negative	60.0	Hz	Negative	

Note: Polarity & standard only for VGA mode

11. 4W Resistance Touch Panel Characteristics

11.1 Electrical Performance

Parameter	Symbol	Min	Typ	Max	Unit	Note
Terminal Resistance	X	330	-	900	Ω	
	Y	100	-	500	Ω	
Input Voltage	VT	-	5.0	-	V	
Linearity		-	-	1.5	%	
Insulation Impedance		20	-	-	M Ω	DC 25V
Response Time		-	-	20	ms	

11.2 Optical Performance

Parameter	Specifications
Transmittance	$\geq 80\%$ (Typ)
Haze	8% (Typ)

11.3 Mechanical Performance

Parameter	Specifications
Input Method	Finger or stylus pen
Operating Force	30~120gf
Surface Hardness	3H or more

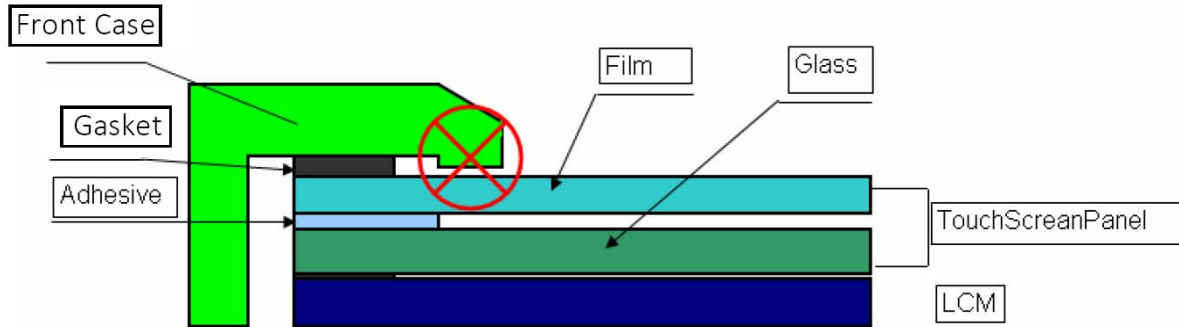
11.4 Durability Performance

Parameter	Specifications
Pen Sliding Durability	$\geq 100,000$ words, with R0.8 mm polyacetal stylus, 250g, 60 mm / sec
Finger knocking Durability	$\geq 1,000,000$ times, with R8.0 mm silicon rubber, 250g, 2Hz

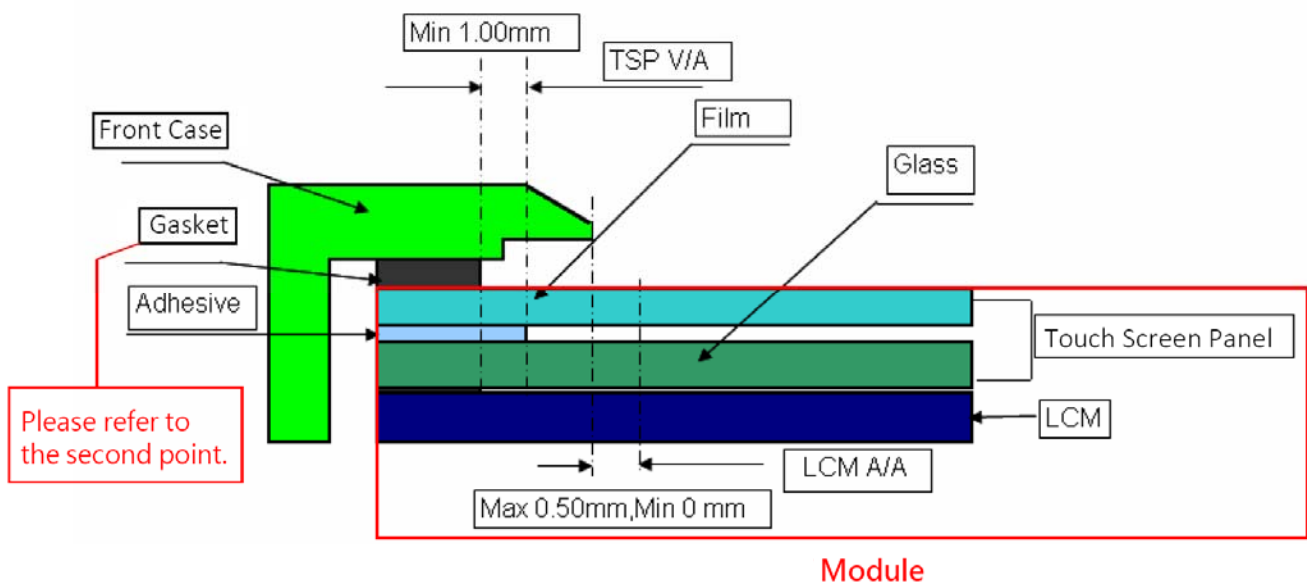
11.5 Resistive Touch Panel Integration Design Guide

Front case design follow as below

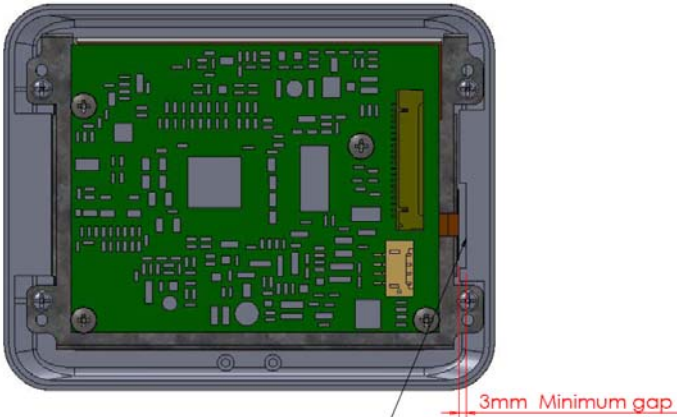
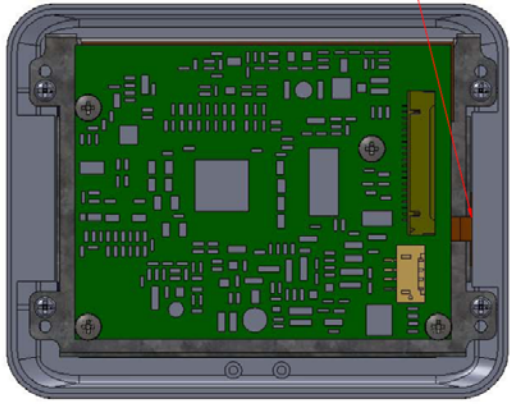
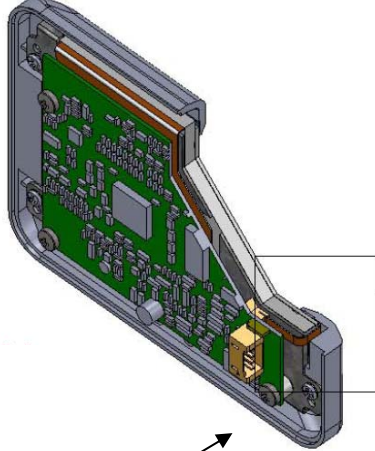
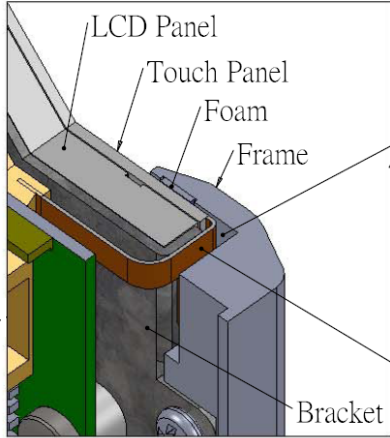
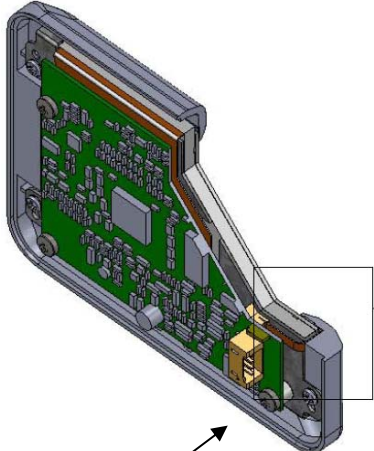
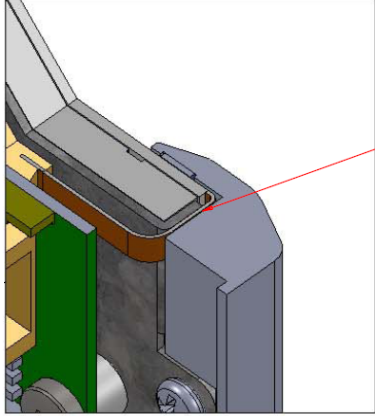
1. Avoid the design that front case overlap and press on the active area of the LCM.
2. Give enough gap(over 0.5mm at compressed) between the front case and TSP to protect wrong operating.



3. Use a buffer material(Gasket) between the TSP and front case to protect damage and wrong operating.
4. Avoid the design that buffer material overlap and press on the inside of TSP view area.



11.6 Mechanical Design Notice for Resistive Touch Panel

Correct Installation	Incorrect Installation
 <p data-bbox="172 795 475 840"><Correct Installation></p> <p data-bbox="571 768 774 795">3mm Minimum gap</p>	 <p data-bbox="970 376 1305 414"><Incorrect Installation></p>
 <p data-bbox="406 1411 774 1451"><Correct Installation></p>  <p data-bbox="223 1892 327 1926">Zoom-In</p> <p data-bbox="167 1467 399 1881">LCD Panel Touch Panel Foam Frame FPC to Touch Panel Bracket</p> <p data-bbox="478 1568 790 1724">! Frame can not surpress on LCD Panel and FPC to Touch Panel</p>	 <p data-bbox="1125 1422 1508 1462"><Incorrect Installation></p>  <p data-bbox="957 1881 1061 1915">Zoom-In</p> <p data-bbox="1197 1579 1508 1747">! Supression on FPC to Touch Panel causes the fracature.</p>



11.7 Resistive Touch Panel Operation System Support

Driver Vender : EETI (eGalax_eMPIA Technology Inc.)

OS	Version	Interface
Windows	Windows 7, 8, 8.1, 10	USB/RS232
	Windows Embedded 7, 8	
	Windows Embedded POSReady 2009 , POSReady 7	
	Embedded Standard 7	
	Embedded Enterprise 7	
	Embedded 8 Standard	
	Embedded 8.1 Pro/ Embedded 8.1 Industry	
	Windows , XP, 2000	
Windows XP Embedded		
Windows CE	Windows Embedded Compact 2013, 7	USB/RS232
	Windows CE 6.0	
	Windows CE.Net (4.x / 5.0)	
Linux	Kernel 2.6.24 Upward and 3.x.x / 4.x.x / 5.x.x (X86 / ARM / MIPS)	USB
	Kernel 2.6.23 Downward (X86)	
	Kernel 2.4.x (x86)	
Android	Android Version 2.3.x upwards (X86 / ARM / MIPS)	USB
Mac OS	Mac OS X 10.5.3 Leopard (Power PC)	USB
	Mac OS X 10.7.4 Earlier (32Bit / 64Bit) (Intel CPU)	
	Mac OS X 10.7.5 (32Bit / 64Bit) (Intel CPU)	
	Mac OS X 10.8.x Mountain Lion (Intel CPU)	
	Mac OS X 10.9.x Mavericks (Intel CPU)	
	Mac OS X 10.10.x Yosemite (Intel CPU)	
	Mac OS X 10.11 El Capitan (Intel CPU)	
	Mac OS 10.12 Sierra (Intel CPU)	
	Mac OS 10.13 High Sierra (Intel CPU)	
	Mac OS 10.14 Mojave (Intel CPU)	
	Mac OS 10.15 Catalina (Intel CPU)	
QNX	QNX Neutrino RTOS V6.5/6.4	USB/RS232
	QNX Neutrino RTOS V6.3	

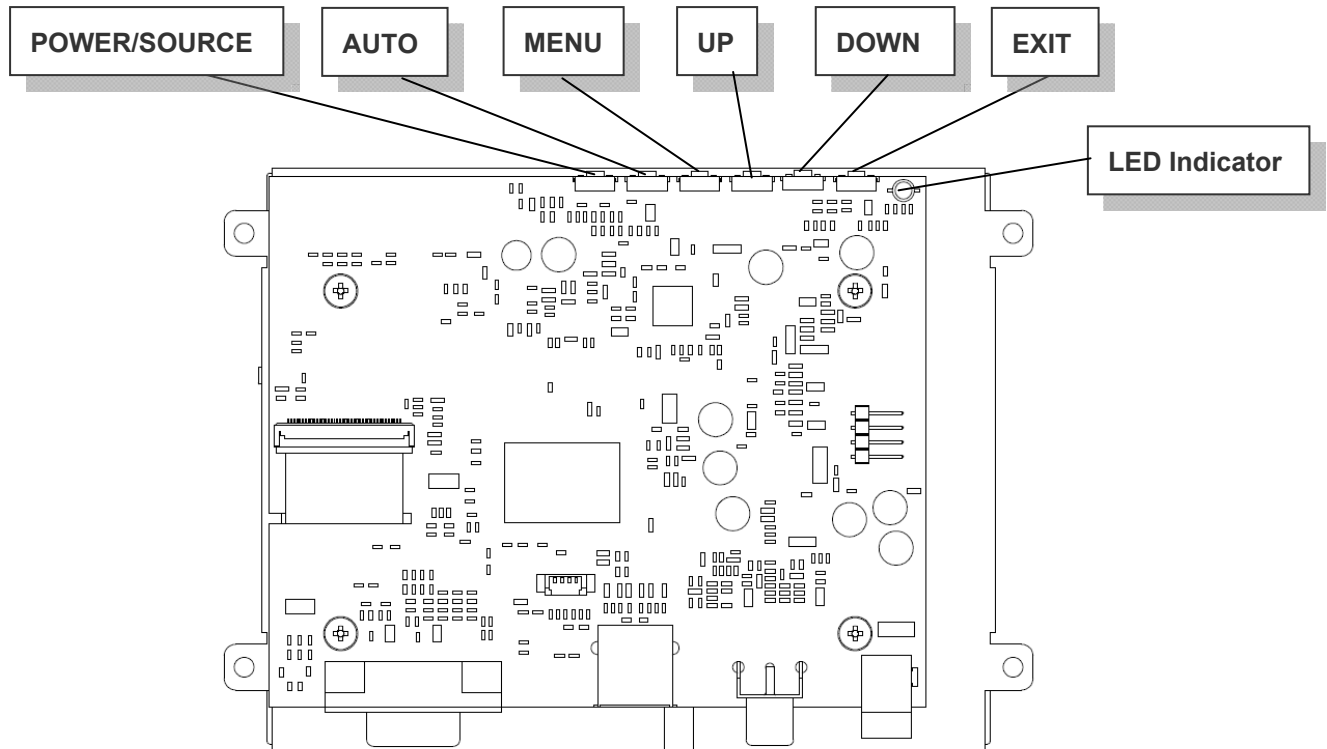
Note: 1. Please refer to the website for the driver installation and support operating system.

2. How to use Touch Driver, please refer to Readme of Touch Screen Driver CD Disk.

3. Please refer to the website for the latest driver version and support operating system.

12. Key Function by OSD

12.1 Menu Operation

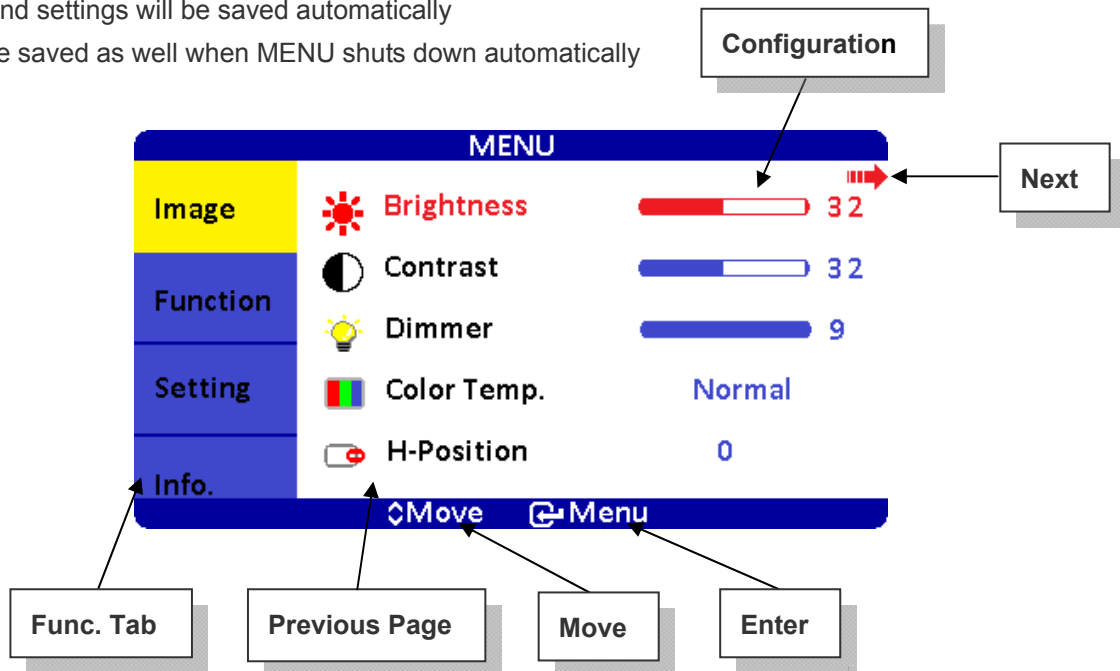


OSD ICON Instructions :

1. POWER/ SOURCE : Power On/Off (※Press for 3 secs to turn off)
2. AUTO : Auto adjust Screen (VGA Only)
3. MENU / ENTER : (After turning on MENU, only ENTER is available)
4. UP : Move Upward / Increase Value / Option Switch
5. DOWN : Move Downward / Decrease Value / Option Switch
6. EXIT : Return to Previous Page
7. LED Indicator
 - Waiting : Flickering Green
 - Power ON : Green
 - Power OFF : Red

Save OSD Setting:

1. EXIT MENU and settings will be saved automatically
2. Settings will be saved as well when MENU shuts down automatically



Overview of the Menu :



Image (VGA)

Indicator	Meaning	Default	Adjustable range	Remark
	Brightness	32	0~63	Adjust-Bar
	Contrast	32	0~63	Adjust-Bar
	Dimmer	9	0~9	Adjust-Bar
	Color Temp.	Normal	Normal / Warm / sRGB / Cool	
	H-Position	0	The adjusting value range depends on each resolution mode	
	V-Position	0	The adjusting value range depends on each resolution mode	
	Clock	0	-49~+49	
	Phase	14	0~63	
	Auto	Depend on the Signal		
	Exit			



Image (Video)

Indicator	Meaning	Default	Adjustable range	Remark
	Brightness	23	0~63	Adjust-Bar
	Contrast	42	0~63	Adjust-Bar
	Color	50	0~63	Adjust-Bar
	Tint	16	0~31	for NTSC System Only
	Sharpness	8	0~15	Adjust-Bar
	Dimmer	9	0~9	Adjust-Bar
	Exit			



Function

ICON	Meaning	Function	Default	Status	Description	Remark
	Show Status	Information of input source	On	On	Show input source	
				Off	Hide input source	
	Blue Screen	Select blue/ black screen when no input signal is detected.	On	On	Show blue screen when no input.	
				Off	Show black screen when no input.	
	Auto Power On	Modules turns on automatically without power key input.	On	On	Auto	
				Off	Manual	
				Auto Save	Power off , the last state	
	Detect Source	Auto detect input source.	On	On	Auto-detect signal source	
				Off	Manual switch signal source	
	Auto Power Saving	Modules go standby when no input source is detected.	Off	6s / 15s / 30s	Go standby by settings when no input	LED indicator: Flickering Green
				Off	Show no signal when no input	LED indicator: Green
	Auto Sleep	Modules go off when set timing is out.	Off	15M / 30M / 60M	Go off by time setting	LED indicator: Red Press Power Key back to life.
				Off	Turn off sleep mode	
	Exit					

Note : After configuration is set, RESET won't restore to default setting.



Setting

Indicator	Meaning	Default	Adjustable range	Remark
	Mirror	Off	On / Off	Left-right reversal
	Upside down	Off	On / Off	Upside down
	Scan	Under Scan	Over Scan/Under Scan	CVBS Only, Note 1
	Language	English	English / 中文 / 日本語 / 한국의 / Française / Deutsch / Italiano / Española / Português	Note 1
	OSD Transparent	0	0~7	Menu Transparent
	Reset			Restore to default
	Exit			

Note 1: Press MENU to store changes when OSD adjustment is done.



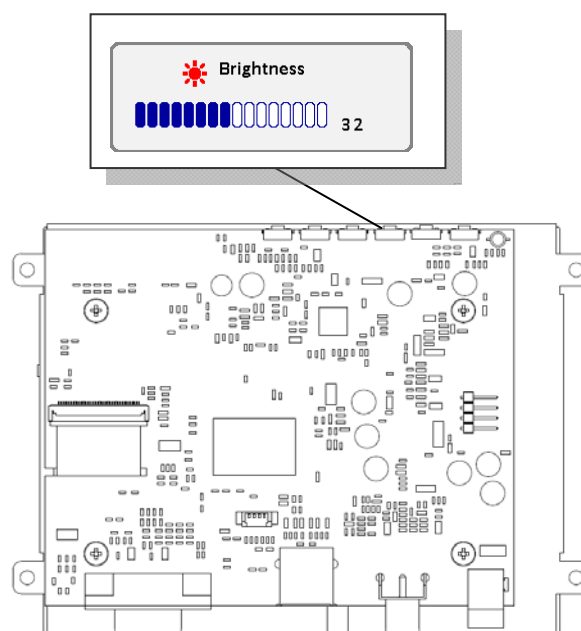
Info.

MENU

Image	Source : VGA
Function	Resolution : 1024x768
Setting	H.Freq : 48.2KHz V.Freq : 59.8Hz
Info.	Program Ver : 2.00 Command Ver : 2.00

◀ Move Menu ▶

Hot Key When OSD Menu is Off :



Information of Input Source and Functionality :



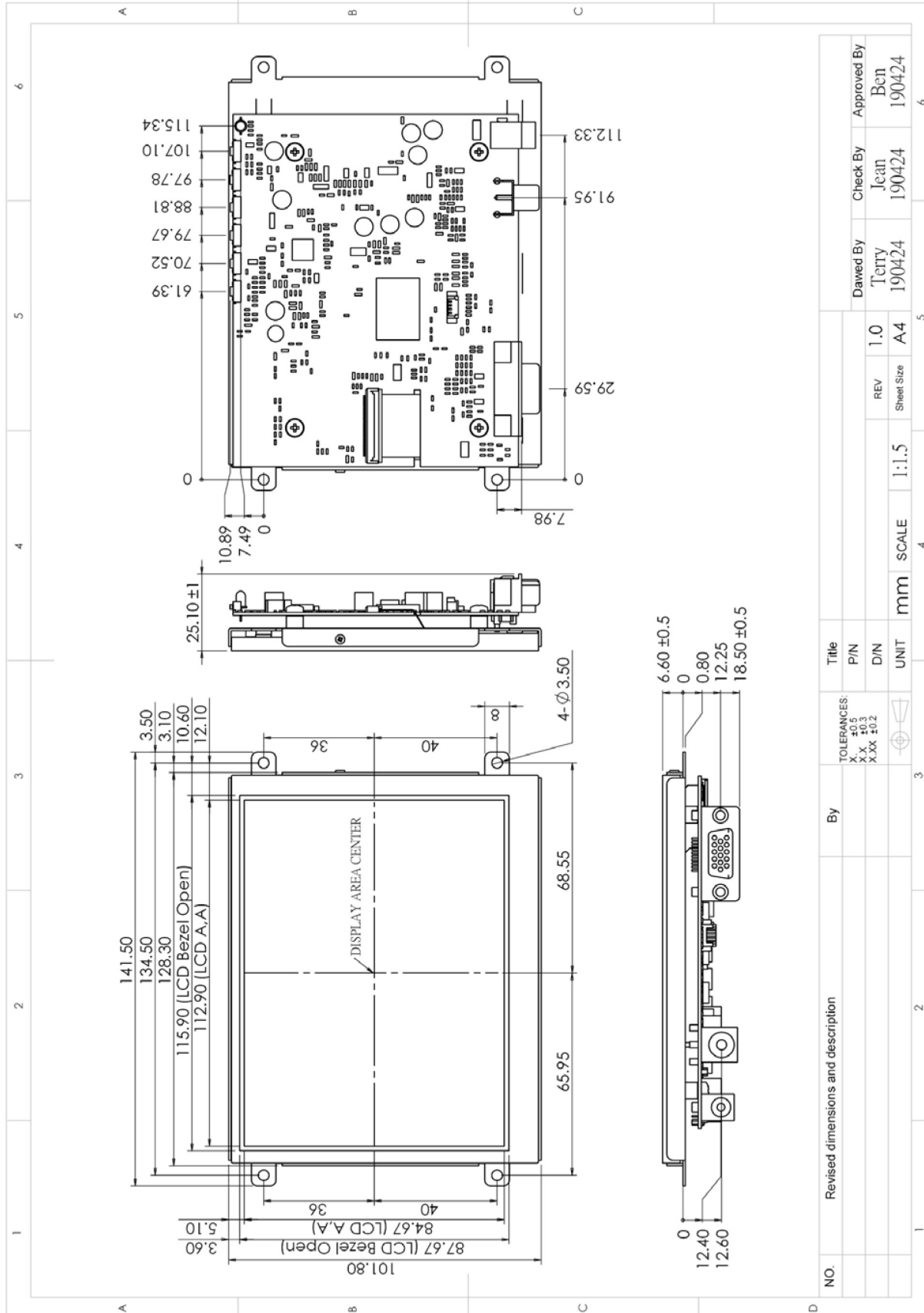
[Source] : Input Signal Switch

Overview of Input Signals :

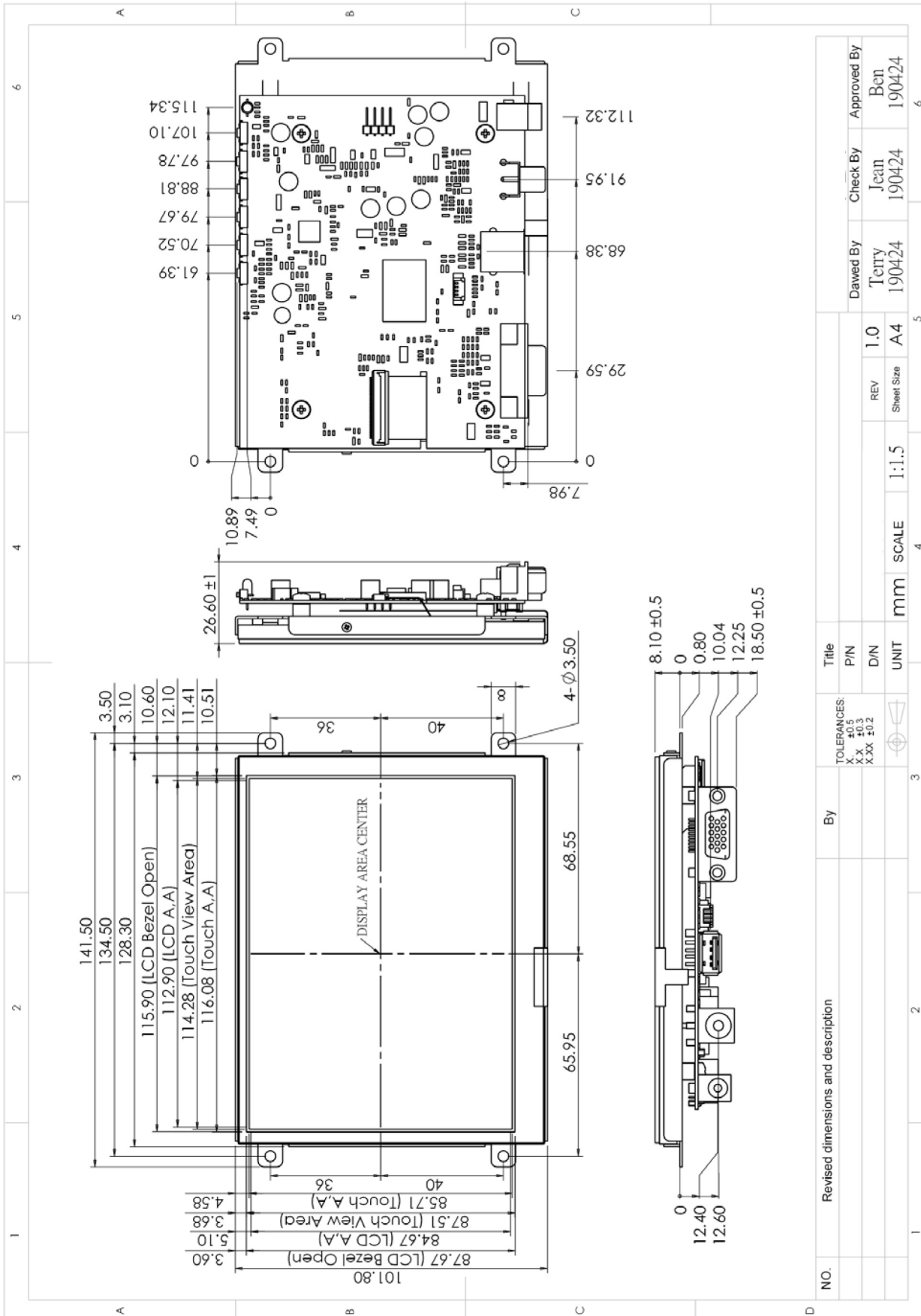
Indicator	Interface
	AV1
	VGA



13.4 Unit (FCOP0560)



13.6 Unit (FCOP0560-TR)





14. Appendix

14.1 TFT-LCD Mechanical Specifications

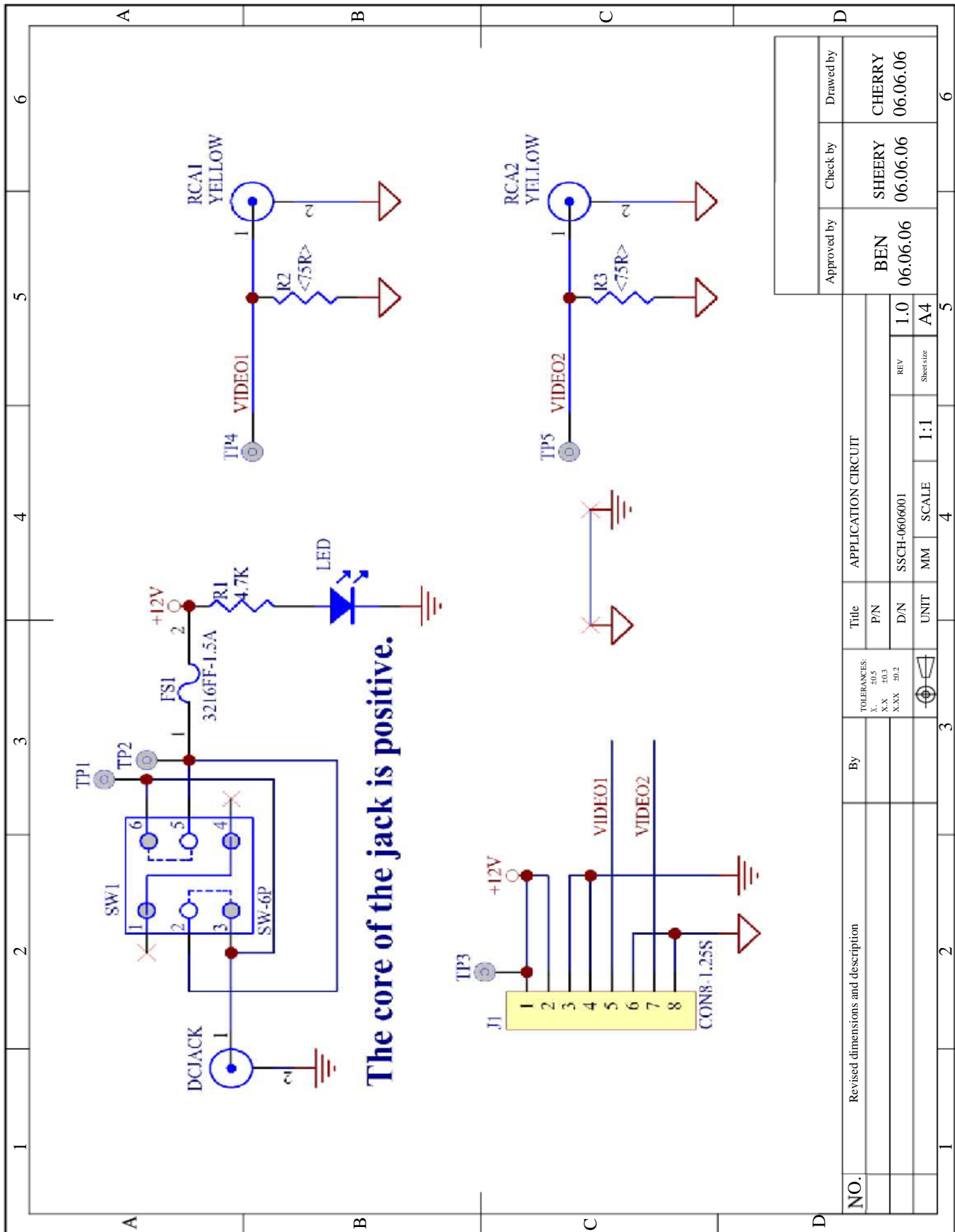
Parameter	Specifications	Unit
Screen Size	5.6 (diagonal)	Inch
Display Format	640 x (R.G.B) x 480	Dot
Active Area	112.896 (H)× 84.672 (V)	mm
Pixel Pitch	0.1764(H) x 0.1764(V)	mm
Pixel Arrangement	RGB stripe	

14.2 TFT-LCD Optical Characteristics

Parameter	Symbol	Condition	Min	Typ	Max	Unit	Remark
Viewing Angle	Horizontal	Left	CR ≥ 10	60	70	---	deg
		Right		60	70	---	deg
	Vertical	Top		40	50	---	deg
		Bottom		60	70	---	deg
Contrast Ratio	CR	At optimized Viewing angle	400	500	---	---	
Luminance without TP	L		280	350	---	cd/m ²	
Luminance with RTP	L		224	280	---	cd/m ²	
LED Life Time		25°C	20000	---	---	hours	Note

Note: The "LED Life Time" is defined as the module brightness decrease to 50% original.

14.3 Application Circuit



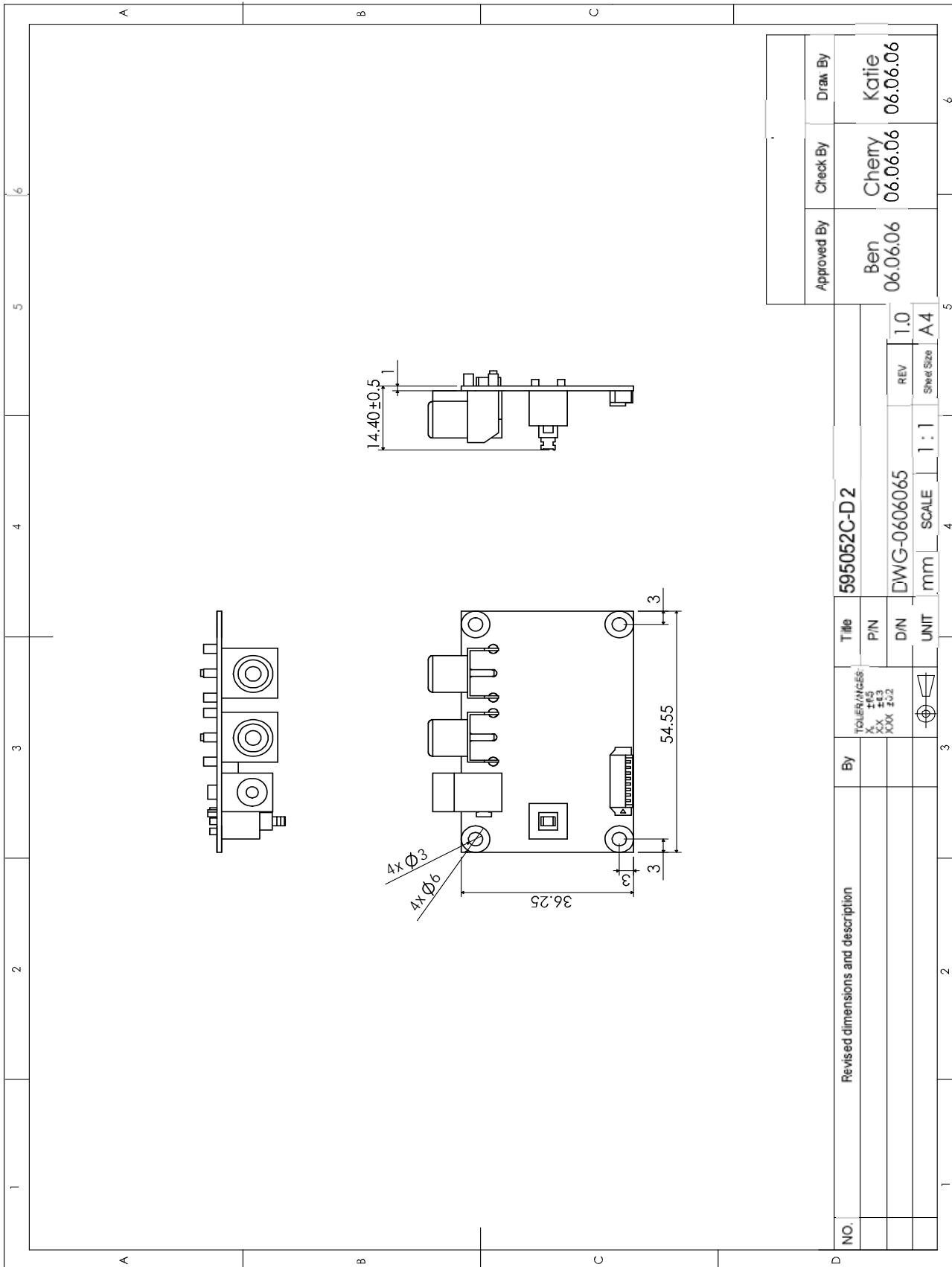
Approved by	BEN	06.06.06	Check by	SHEERY	06.06.06	Drawn by	CHERRY	06.06.06
-------------	-----	----------	----------	--------	----------	----------	--------	----------

Title		APPLICATION CIRCUIT	
P/N			
D/N		SSCH-0606001	REV
UNIT		MM	SCALE
MM		1:1	Sheet size
A4			

NO.	Revised dimensions and description	By	Title	
			P/N	
			D/N	SSCH-0606001
			UNIT	MM
			SCALE	1:1
			Sheet size	A4

VER :B

14.4 (Option)



14.5 Cable: 8P-8P 1.25mm L:100mm (Option)

