

PCAP PANEL PC

21.5" Panel PC, 1920x1080, 1000nit, PCAP Touch Screen, MotherBoard
IMB-1232wv, LAN x2, USB 3.0 x4, Built-in SFP fiber Network Card
Intel Core CPU i7-13700TE Processor (Intel UHD Graphics 770)
w/ High performance CPU cooler, 16GB DDR4, M.2 256GB SSD



Model: SPCW2150i7-FW10-PCAP

FEATURES

- Intel Core CPU i7-13700TE Processor
- Intel UHD Graphics 770
- Windows 10 IoT Enterprise 64bit
- AC100~240V in (built-in Internal Power Supply)
- 0~50C Operating Temperature
- VESA mount

NOTE:

- Remove AD board and remote touch. Adding Side USB at Right Hand Side.
- Note: All PCAP touch and built-in Internal Power supplier
- Note: Silk Screen Top left

LCD - SPECIFICATIONS

Cell Type / Glass Surface	TFT LCD / Black Anti-Glare, low reflection coating
Aspect Ratio / Size	Wide / 21.5" viewable diagonal area
Active Area / Pixel Pitch	477.8(H) x 269.3(V) mm / 0.248(H) x 0.248(V) mm
Native Resolution / Colors	1920(H) x 1080(V) / 16.7M
Brightness / Contrast	1000 cd/m ² (typ) / 1000 :1
Response Time	5 ms
Viewing Angle (typical)	H. 170° (- 85° ~ + 85°) , V 160°(- 80° ~ + 80°)
Light Source	CCFL, Long life, 50,000 hrs (typ)
Power	AC100~240V in (Built-in Internal Power Supply)
Temp	0 ~ 50C Operating Temperature
Touch	PCAP

MOTHERBOARD FEATURES:

- 2 x 260-pin SO-DIMM DDR4 3200 MHz , up to 64GB (32GB per DIMM)
- 1 x PCIe x16 (Gen4), 2 x USB 3.2 Gen2, 1 x USB 3.2 Gen1, 5 x USB 2.0, 1 x M.2 Key B, 1 x M.2 Key E, 1 x M.2 Key M, 4 x COM, 2 x SATA3
- 2 x Intel 2.5 Gigabit LAN
- Supports Triple display, 1 x HDMI 2.0b, 2 x DP 1.4a, 1 x LVDS, 1 x eDP1.4b
- TPM 2.0 onboard IC
- 12~28V DC-In (Lockable DC Jack)

MOTHERBOARD SPECIFICATIONS: IMB-1232wv

Processor System	
CPU	Intel® 14th/13th/12th Gen (Raptor Lake-S Refresh/Raptor Lake-S/Alder Lake-S) Core™ Processors, up to 65W
Chipset	Intel® H610
Socket	LGA1700
BIOS	AMI SPI 256 Mbit
Form Factor	
Dimensions	Mini-ITX (6.7-in x 6.7-in x 1.0-in, 17.0 cm x 17.0 cm x 2.5 cm)
Memory	
Technology	Dual Channel DDR4 3200 MHz
Capacity	64GB (32 GB per DIMM)
Socket	2 x 260-pin SO-DIMM
Graphics	
Controller	Intel® UHD Graphics
DisplayPort	DisplayPort 1.4a, DP++ Max resolution up to 4096x2160@60Hz
HDMI	HDMI 2.0b Max resolution up to 4096x2160@60Hz
eDP	eDP1.4b Max resolution up to 4096x2160@60Hz
LVDS	Dual channel 24 bit up to 1920x1200@60Hz
MultiDisplay	Triple Display
Expansion Slot	
PCIe	1 x PCIe x16 (Gen4)* *Supports add-on card power consumption up to 100W
M.2	1 x M.2 (Key E, 2230) with PCIe x1, USB 2.0 and CNVi for Wireless 1 x M.2 (Key B, 3042/3052) with PCIe x1, USB 3.2 Gen1, USB 2.0 and SIM for 4G/5G
SIM Socket	1 x Socket connected to M.2 Key B
Audio	
Interface	Realtek ALC897, High Definition Audio. Line-out, Mic-in
Ethernet	
Controller/ Speed	LAN1: Intel® I225LM/I225V with 10/100/1000/2500 Mbps LAN2: Intel® I225LM/I225V with 10/100/1000/2500 Mbps
Connector	2 x RJ-45
Rear I/O	
HDMI	1 x HDMI 2.0b
DisplayPort	2 x DP 1.4a++
Ethernet	2 x 2.5 Gigabit LAN
USB	2 x USB 3.2 (Gen2) 2 x USB 2.0
Audio	2 (Mic-in, Line-out)
Internal Connector	
USB	1 x USB 3.2 Gen1 (1 x USB 3.2 header) 3 x USB 2.0 (1 x 2.54 pitch header)
COM	COM1, COM2 (RS-232/422/485) COM3, COM4 (RS-232)
GPIO	4 x GPI, 4 x GPO
LVDS	1
eDP	1
SATA PWR Output	1
Speaker Header	1
Security	
TPM	TPM 2.0 onboard IC
Storage	
M.2	1 x M.2 (Key M, 2242/2260/2280) with PCIe Gen3 x4 for SSD
SATA	2 x SATA3 (6Gb/s)
Watchdog Timer	
Output	From Super I/O to drag RESETCON#
Interval	256 Segments, 0, 1, 2, ...255sec

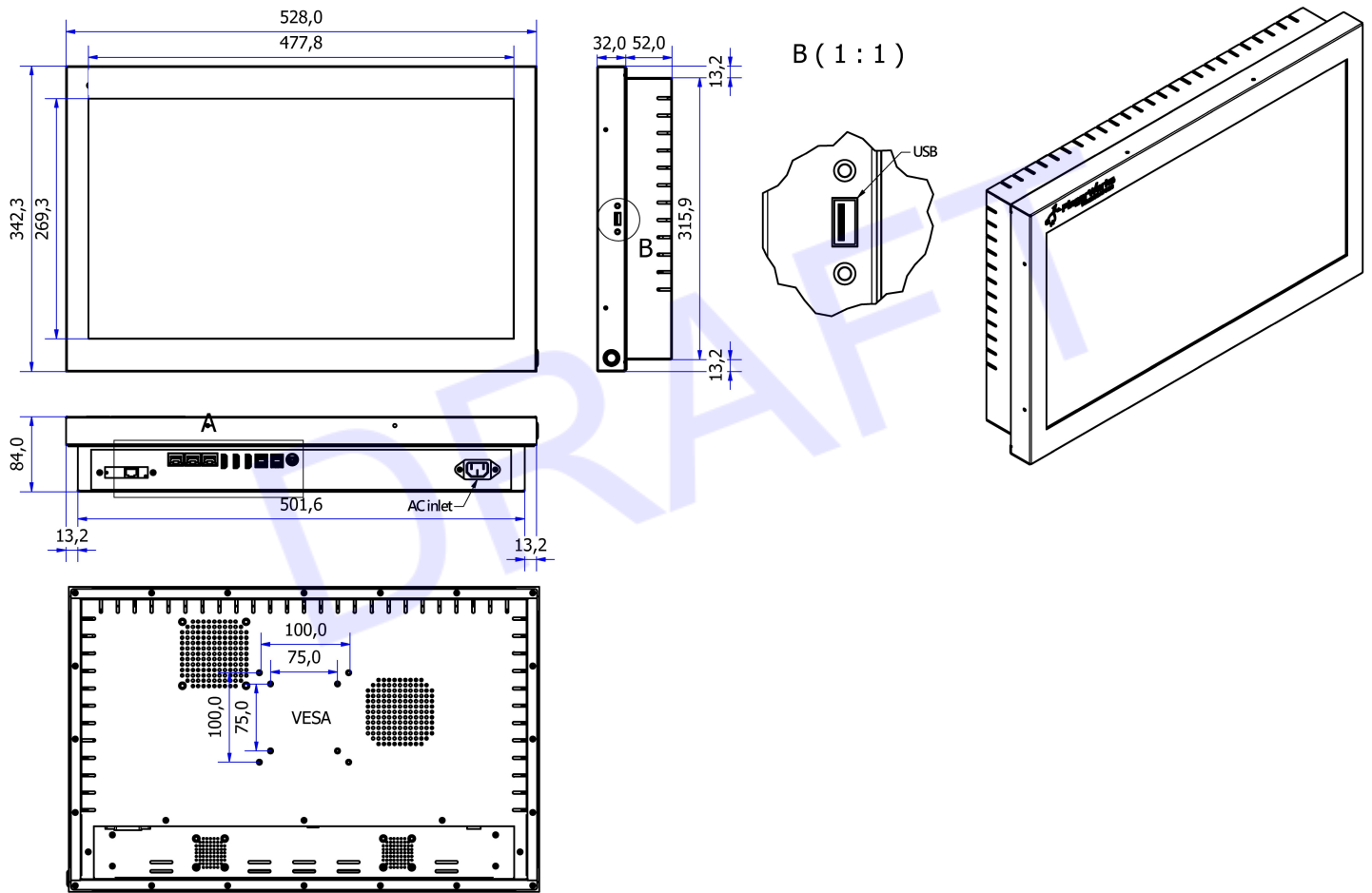
Power Requirements	
Input PWR	12~28V DC-In with 4-pin wafer PWR cable or DC Jack(Screw type)
Power On	AT/ATX Supported - AT : Directly PWR on as power input ready - ATX : Press button to PWR on after power input ready
Socket	LGA1700
BIOS	AMI SPI 256 Mbit

Environment	
Operating Temp	-20°C ~ 70°C
Storage Temp	-40° C ~ 85° C
Operating Humidity	5% ~ 90%
Storage Humidity	5% ~ 90%

Accessories	
Gift Package	1 x SATA Power Cable (14G000100410AK) 2 x COM Cable (14G000000310AK) 2 x SATA Data Cable (14G00010107DAK) 1 x I/O Shield (13G020625000AK) 1 x I/O Shield THIN (13G020625010AK) 3 x SCREW M2*2,D=5 (13G020302031AK)
Bulk Package	1 x I/O Shield (13G020625000AK) 1 x I/O Shield THIN (13G020625010AK) 3 x SCREW M2*2,D=5 (13G020302031AK)

MECHANICAL DRAWINGS

This is subject to change without Notice. Final Drawings Will be Provided for Approval after Order.



Drawing No.: SPCW2150i7-FW10-PCAP-12182023-V1