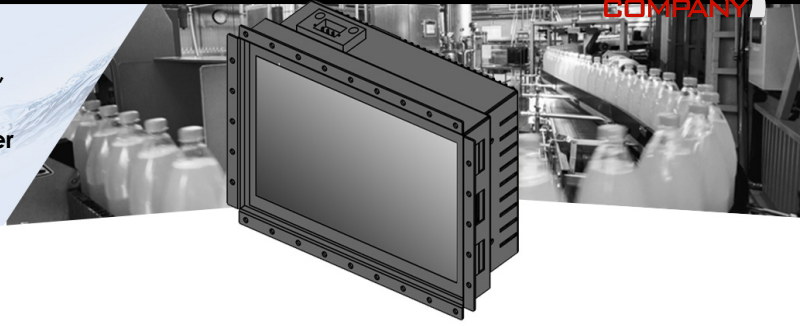


7" Open Frame Panel PC by 5 Wired Resistive Touch with Anti-UV Film, 1000nits LCD, i3-1115G4E, Memory 16GB DDR4, M.2 storage 256GB, Win 10 Pro 64 bit, DC 12V Power Input including a 3-Pin Power Adapter (12V/7.5A)

MODEL: EGOPW700-i3-ML1



FEATURES:

- 7" 800x480 LCD with 1000nits
- Intel Core i3-1115G4E Processor
- 16GB DDR4
- M.2 Storage 256GB
- 3-Pin Power Adapter (12V/7.5A)
- DC 12V Power Input
- Win 10 Pro 64 bit
- Operation Temp. : -20C to 60C
- Including 4 sides sponges in front of the Touchscreen
- Audio-out connector for the external speaker (no space to have the speaker inside)
- Included Conformal Coating

Remarks:

- The power button must be removed, otherwise no space. If power button is removed, It is just set to turn on when the power is applied automatically
- The power input/Jack could be smaller and even flat with backside bezel without any mechanical interference

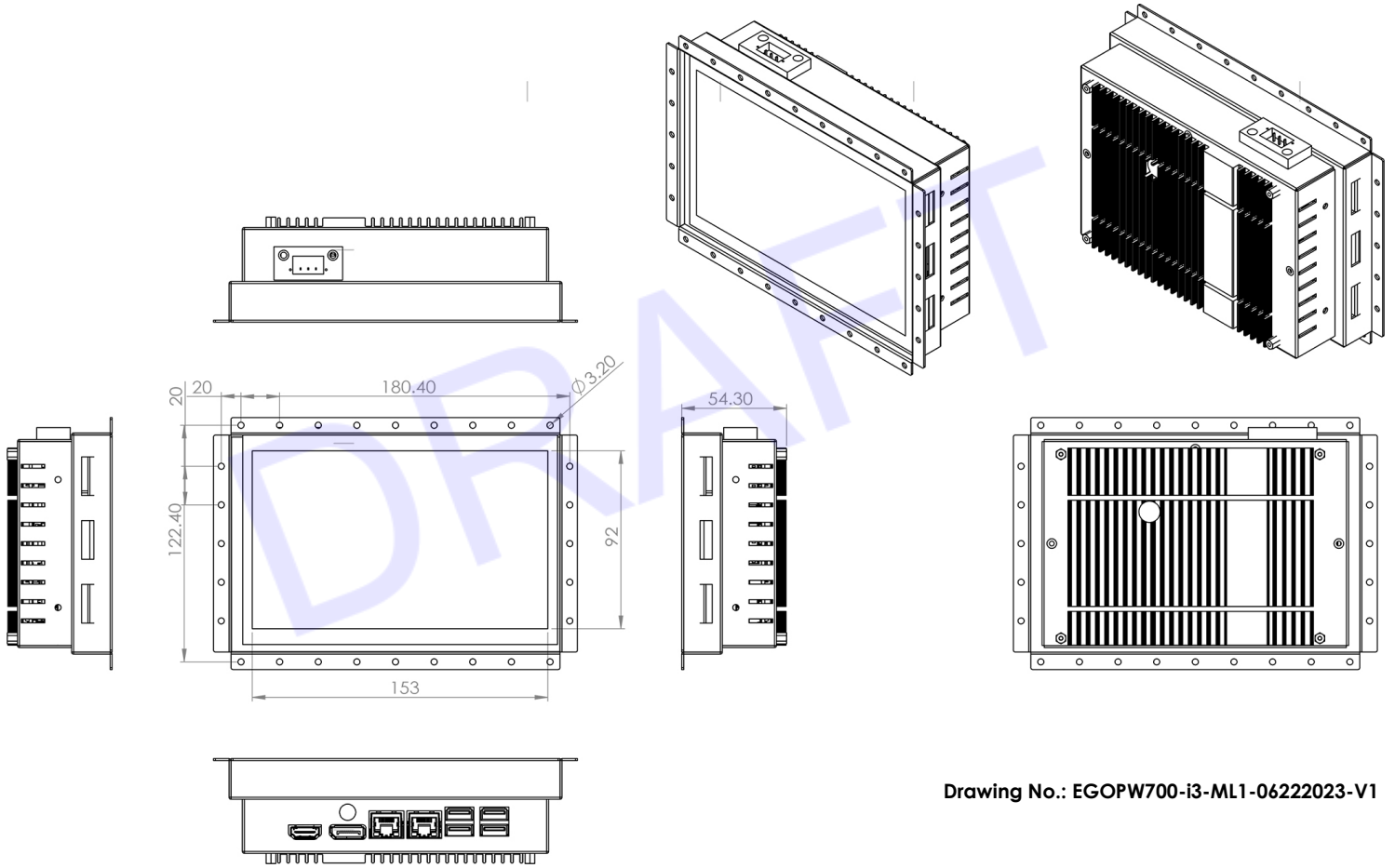
SPECIFICATIONS:

SYSTEM	
Processor	Intel Core i3-1115G4E Processor
System Memory	DDR4-2133 SO-DIMM, up to 16 GB
External I/O Port	4 x USB 3.0 Type A
Storage	M.2 Storage 256GB
Operating System	Win 10 Pro 64 bit
Expansion	2 x MiniPCle Slot (1 share with mSATA)
POWER REQUIREMENT	
Power Input	DC 12V Power Input
LCD	
Display Type	7" TFT-LCD
Max. Resolution	800x480
Max. Color	262K/16.2M
Luminance	1000 nits
View Angle	65/65/60/50
Backlight Lifetime	30,000 hours
TOUCH SCREEN	
Type	Resistive Touch
ENVIRONMENT	
Operating Temp	-20~60 °C - IEC-60068-2-1/2/14
Storage Temp	-30~70 °C
Humidity	10~90% (5)40 °C, non-condensing
EMC	FCC / CE Class A Certification CE Class B Compliant
Vibration	1.5 Grms (5>10~500Hz, IEC-60068-2-64

**Specifications subject to change without notice, not responsible for typographical errors.*

MECHANICAL DRAWINGS:

This is subject to change without Notice. Final Drawings Will be Provided for Approval after Order.



Drawing No.: EGOPW700-i3-ML1-06222023-V1