

STAINLESS PANEL PC

21.5" Resistive Touch Panel PC with i5-8500, 500 nits , -20~60°C operating temp, 6 sides IP66, M12 plastic waterproof connectors at Back Side, and a AC to DC 24V / 90W power adapter, 1 x LAN, 2 x USB, 1 x Power, 1x USB Type-C Waterproof Connector, 1 x HDMI output, York / VESA Mount, TPM Module, WiFi 2.4G and 5G with Dual Antenna, DRBM 8GB, SSD 256GB, Win 10 IOT 2019, Table stand by York Mount



MODEL: EGCHW2150-SIP-i5-TR-HPM

FEATURES:

- 21.5" Resistive Touch Screen
- Full HD 1920*1080 Resolution
- 500 nits LED Backlight
- DC 12~24V Wide Range Power Input
- 5 Wire Resistive Touch Screen
- 6 Sides IP66 Compliance
- -20~60 °C Operating Temp
- Stainless Steel 304 Food Grade
- M12 Plastic Waterproof Connectors
- USB Type-C Waterproof Connector
- York / VESA Mount
- TPM Module
- WiFi 2.4G and 5G with Dual Antenna

SPECIFICATIONS:

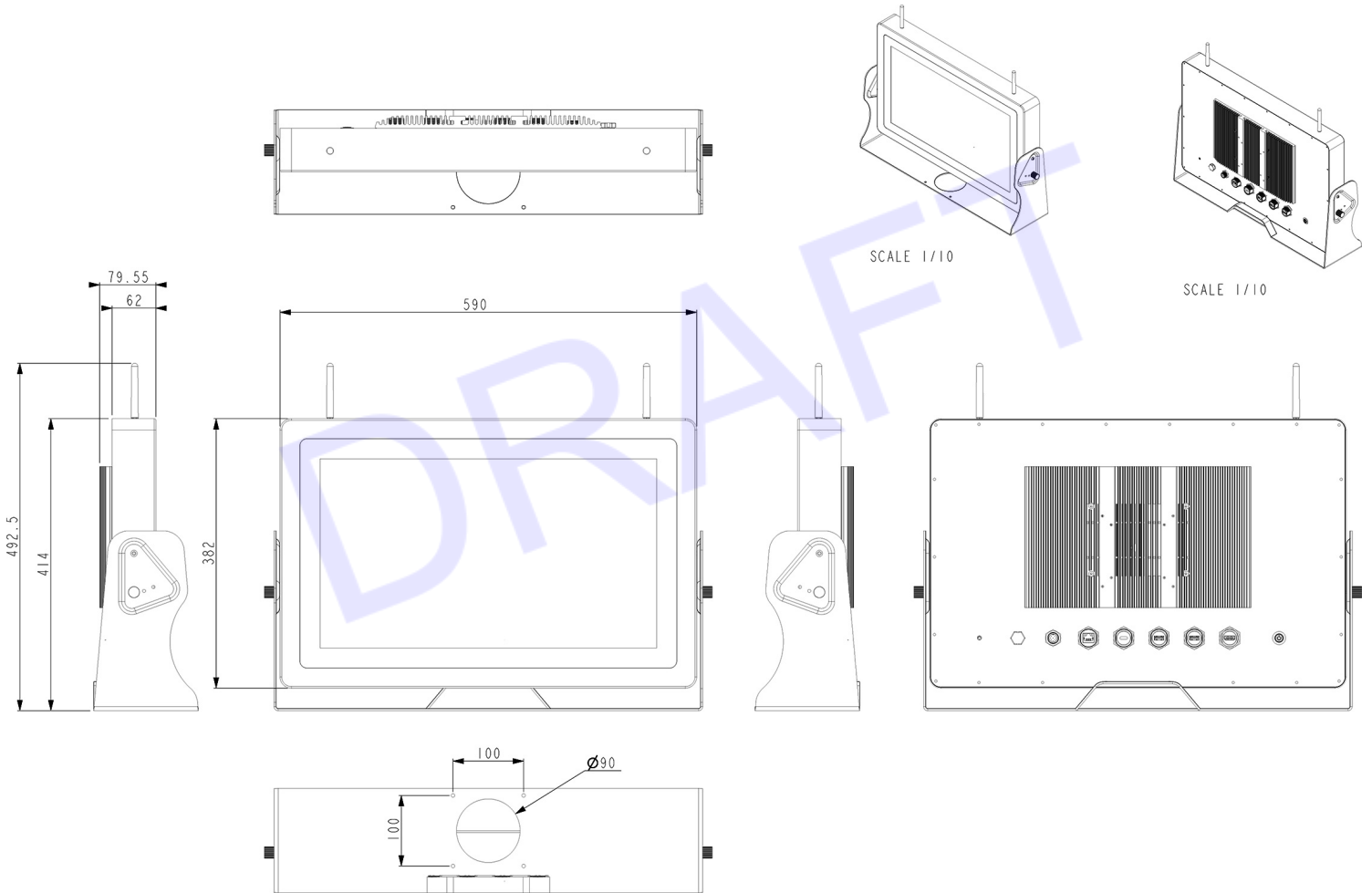
SYSTEM	
Processor	i5-8500
System Memory	DDR4 8GB DRAM
External I/O Port	1 x GIGA LAN External Waterproof cables by 1.5 meters (the end side is male RJ45)
	2 x USB 2.0 External Waterproof cables by 1.5 meters (the end side is female USB 2.0)
	1 x Power External Waterproof cables by 1.5 meters (the end side is 2 wire : ground & +)
	1 x USB Type-C External Waterproof cables by 1.5 meters (the end use is USB-B or C)
	1 x HDMI External Waterproof cables by 1.5 meters (the end side is HDMI male)
Storage	SSD 256GB
Operating	Win 10 IoT Ent 2019 LTSC MultiLang ESD OEI Entry
Expansion	2 x MiniPCle Slot (1 x Nano Sim Holder)
POWER REQUIREMENT	
Power Input	M12 Power Input by DC 12~24V Wide Range Power Input
	AC to DC 90W Power Adapter
TOUCH SCREEN	
Type	21.5" Resistive Touch

LCD	
Display Type	21.5" TFT LCD
Max. Resolution	1920*1080
Max. Color	16.7M
Luminance	500nits
View Angle	89/89/89/89
Backlight Lifetime	30,000 hours
MECHANICAL	
Construction	Stainless Steel case
IP Rating	IP66 compliance with 6 sides
Mounting	VESA/York Mount
Dimension	TBC
ENVIRONMENT	
Operating Temp	-20~60 °C, IEC-60068-2-1/2/14
Storage Temp	-20~60 °C
Humidity	10~90% @40 °C, non-condensing
EMC	FCC / CE Class A Certification
Vibration	1.5 Grms @10~500Hz, IEC-60068-2-64

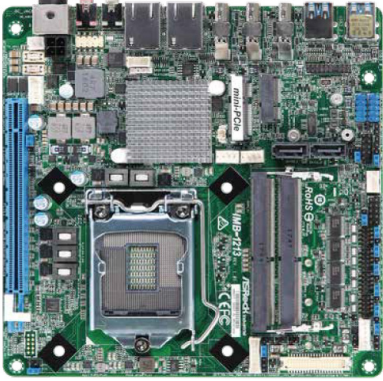
***Specifications subject to change without notice, not responsible for typographical errors.**

MECHANICAL DRAWINGS

This is subject to change without Notice. Final Drawings Will be Provided for Approval after Order.



Mini-ITX Motherboard



FEATURES:

- Intel® 9th/ 8th Gen (Coffee Lake-S) Core™ Processors with Q370 chipset
- 2 x 260-pin SO-DIMM up to 64GB* DDR4 2666MHz
- 1 x PCIe x16 (Gen3), 4x USB 3.1 Gen1, 4x USB 2.0, 1 x mini-PCIe, 1 x M.2 Key E, 1 x M.2 Key M, 4 x COM, 2 x SATA3
- 2 x Intel 1 Gigabit LAN
- Supports triple display, 3 x DP 1.2, 1 x LVDS or eDP
- TPM 2.0 onboard IC, supports Intel® vPro, AMT, RAID 0/1
- 12V/19~28VDC-In



Form Factor	IMB-1213
Dimensions	Mini-ITX (6.7-in x 6.7-in)
Processor System	
CPU	Intel® 9th/ 8th Gen (Coffee Lake-S) Core™ Processors, up to 65W *The Performance of CPUs over 65W will be limited due to power design.
Chipset	Intel® Q370
Socket	LGA1151
BIOS	AMI SPI128 Mbit
Memory	
Technology	Dual Channel DDR4 2666 MHz
Capacity	64GB* - Intel Core i9/i7/i5 CPUs support up to 64GB (32GB per DIMM) Intel Core i3/Pentium/Celeron CPUs support up to 32GB (16GB per DIM)
Socket	2 x 260-pin SO-DIMM
Graphics	
Controller	Coffee Lake integrated graphics
HDMI	N/A
DisplayPort	DisplayPort 1.2, DP++ Max resolution up to 4096x2304@60Hz
VGA	N/A
LVDS	Dual channel 24 bit up to 1920x1200@60Hz
eDP	eDP 1.4 Max resolution up to 4096x2304@60Hz
DVI	N/A
Multi Display	Triple Display
Expansion Slot	
PCIe	1x PCIe x16 (Gen3, Support riser card x8/x8, x4/x4)
PCI	N/A
mini-PCIe	1 x Full/Half size with PCIe xl and USB 2.0
M.2	1 x M.2 (Key E, 2230) with PCIe xl, USB 2.0 and CNVi for Wireless
Audio	
Interface	Realtek ALC887/897, High Definition Audio. Line-out/Mic-in
Ethernet	
Controller/ Speed	LAN1: 1 x Intel® I219LM with 10/100/1000 Mbps, supports AMT/vPro
	LAN2: 1 x Intel® I210 with 10/100/1000 Mbps
Connector	2 x RJ-45

Rear I/O	
HDMI	N/A
DisplayPort	3 x DP 1.2
VGA	N/A
DVI	N/A
Ethernet	2x1 Gigabit LAN
USB	4xUSB3.1 (Gen1)
Audio	2 (Mic-in, Line-out)
COM	N/A
PS2	N/A
Internal Connector	
USB	4 x USB 2.0 (2 x 2.54 pitch header)
COM	COM3,4(RS232/422/485)) COM1,2(RS232)
Parallel	N/A
GPIO	4xGPIO, 4xGPIO
TPM	TPM 2.0 onboard IC
LVDS	1 (shared with eDP by jumper setting)
eDP	1 (shared with LVDS, by jumper setting)
VGA	N/A
SATA PWR Output	1
Speaker Header	1
Storage	
M.2	1 x M.2 (Key M, 2242/2260/ 2280) with PCIe x4 and SATA3 for SSD
mSATA	N/A
SATA	2xSATA3(6Gb/s)
RAID	Intel® SATA RAID 0/1
Watchdog Timer	
Output	From Super I/O to drag RESETCON#
Interval	256 Segments, 0,1,2, ...255sec
Power Requirements	
Input PWR	12 V or 19-28V DC-In with 4-pin plug PWR cable or 4-pin DC Jack
Power On	AT/ATX Supported AT: Directly PWR on as power input ready ATX: Press button to PWR on after power input ready
Environment	
Operating Temp	0°C-60°C
Storage Temp	-40°C-85°C
Operating Humidity	5% ~ 90%
Storage Humidity	5% ~ 90%