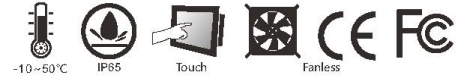


# TOUCH FANLESS PANEL PC

15.6" Fanless Design Intel Celeron/Core i5 Processor  
Capacitive Touch Panel PC, 8G RAM, 128G SSD  
Win10 IoT value, Panel and VESA mounting



**Model: DRPCW1560-i5**



## FEATURES:

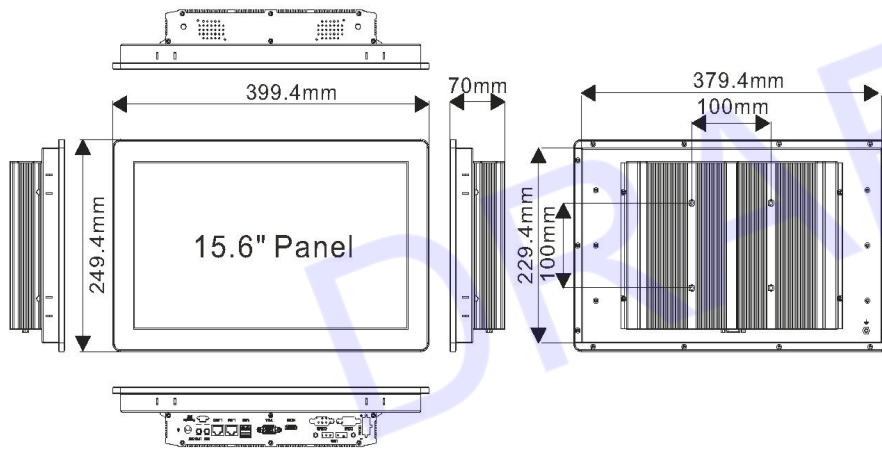
- 15.6" Intel Celeron/Core I5 Processor Capacitive Touch Panel PC
- 15.6" LED backlight LCD, capacitive touch screen,
- Fanless design, integral aluminum alloy profile heat dissipation.
- 2 COM, 4 USB, 2 GbE, HD Audio, VGA, HDMI
- Panel and VESA mounting
- 8G RAM
- 128G SSD
- Win10 IoT value

## SYSTEM SPECIFICATIONS:

SYSTEM	Processor	Intel Quad-Core Celeron J6412 Intel Skylake Core i5-6200U Intel Comet Lake i5-10210U
	System Memory	1 x SO-DIMM DDR4-3200, Up to 8GB (J6412) 2 x SO-DIMM DDR3L-1600, up to 32GB (i5-6200U) 2 x SO-DIMM DDR4-2666, up to 64GB (i5-10210U)
	Storage	1 x Full-size Mini-PCle for mSATA SSD
	Operating System	Windows 7/8.1/10
DISPLAY	Size	15.6-inch
	Resolution	1920 x 1080
	Viewing Angle	85/85/85/85
	Brightness	450 cd/m <sup>2</sup>
	Backlight	LED
	LED Lifetime	50000 hrs
	VGA	Up to 1920X1200@60Hz
	HDMI	Up to 4096X2304@24Hz
TOUCH SCREEN	Multi-Display	Dual display (LVDS + VGA/HDMI)
	Type	5-Wire Analog Resistive Touch / Projected Capacitive Touch
	Control Interface	USB
I/O INTERFACE	Surface hardn	≥3H / ≥7H
	Serial Port	2 x RS-232 (COM1/2)
	USB Port	4 x USB
	Ethernet	2 x GbE LAN
	Display Interface	1 x HDMI, 1 x VGA
	Audio	1 x Line-out, 1 x Mic
	Others	1 x DC-IN (2-Pin Phoenix) 1 x Remote Switch Connector 1 x ATX Power Switch
EXPANSION	Mini-PCle	1 x Full-size Mini-PCle for mSATA 1 x Full-size Mini-PCle
	Power Input	12V (9~36V Optional)
POWER MANAGEMENT	Power Adapter	AC-DC, 12V@5A, 60W / AC-DC, 12V@7A, 84W
	Power Consumption	25W (J1900) 29W
	Operating Temperature	-10~50°C
ENVIRONMENTAL	Storage Temperature	-20~60°C
	Relative Humidity	10%-90%, @ 40°C (non-condensing)
	Vibration	5~500Hz, 0.026 G/Hz, 2.16 Grms, X, Y, Z, 1 hour per axis
CERTIFICATE	Certificate	CE, FCC
MECHANICAL	Housing	Aluminum alloy panel, all-metal structure
	Mounting Mode	Panel-mount, VESA-mount
	Dimension(mm)	399.4 x 249.4 x 70
	Weight	5.6kg (J1900) 5.9kg x 62.5

## MECHANICAL DRAWING:

*This is subject to change without Notice. Final Drawings Will be Provided for Approval after Order.*



- |             |         |        |         |         |        |        |         |         |             |        |              |
|-------------|---------|--------|---------|---------|--------|--------|---------|---------|-------------|--------|--------------|
| A           | B       | CD     | E       | F       | G      | H      | I       | JK      | L           |        |              |
| A: DC-input | B: COM1 | C: USB | D: COM2 | E: HDMI | F: VGA | G: USB | H: LAN1 | I: LAN2 | J: Line-out | K: MIC | L: Remote SW |

Drawing No.: DRPCW1560-i5-09272023-V1