

# TOUCH FANLESS PANEL PC

10.1" LCD, Intel Celeron J6412, P-Cap Touch with  
AC-DC Adaptor, DDR4 16G, mSATA 512G  
Win 10 IoT Ent 2019 LTSC MultiLang ESD OEI Entry (ATOM)



**Model: DRPCW1010-J-PCAP**



## FEATURES:

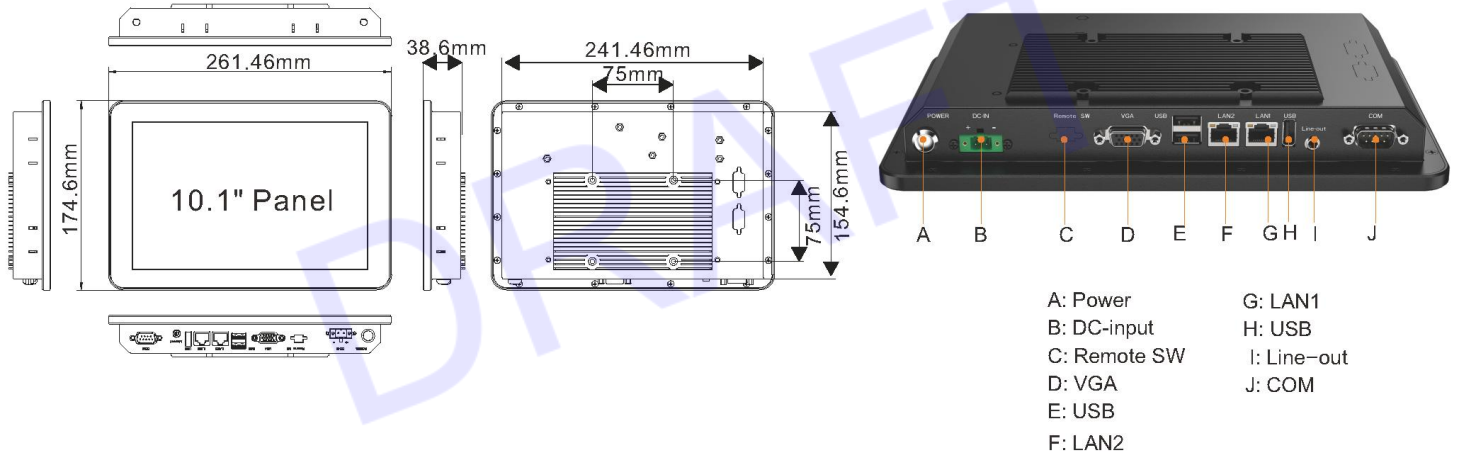
- 10.1" LED Backlight LCD, Capacitive Touch Screen, Resistive Touch Screen
- Fanless Design, Integral Aluminum Alloy Profile for Heat Dissipation.
- Intel Quad-Core Celeron J6412 (2.0GHz)
- 2 COM, 3 USB, 2 GbE, HD Audio, VGA, HDMI
- Panel and VESA mounting

## SYSTEM SPECIFICATIONS:

<b>System</b>	Processor	Intel Quad-Core Celeron J6412
	System Memory	1 x SO-DIMM DDR4-3200, Up to 16GB (Celeron J6412)
	Storage	1 x Full-size mini-PCIe for mSATA SSD
	Operating System	Windows 8.1/10
<b>Display</b>	Size	10.1-inch
	Resolution	1280 x 800
	Viewing Angle	85/85/85/85
	Brightness	350 cd/m <sup>2</sup>
	Backlight	LED
	LED Lifetime	25000 hrs
	VGA	Up to 2560 x 1600
	HDMI	Up to 1920 x 1080
Multi-Display	Dual display (LVDS + VGA/HDMI)	
<b>Touch Screen</b>	Type	Projection multi touch capacitive touch
	Transmittance	85% & 79%
	Control Interface	USB
	Surface Hardness	≥7H & 3H
<b>I/O Interface</b>	Serial Port	1 x RS-232
	USB Port	3 x USB3.0
	Ethernet	2 x GbE LAN
	Display Interface	1 x VGA
	Others	1 x DC-IN (2-Pin Phoenix) 1 x Remote switch connector 1 x ATX Power Switch
<b>Audio</b>	Audio	1 x Line-out 1 x Line-in
	Speaker	2 x Speaker (Optional)
<b>Expansion</b>	Mini-PCIe	1 x Full-size mini-PCIe for mSATA 1 x Full-size mini-PCIe
	Power Management	Power Input: 12V/9~36V (Optional) Power Adapter: AC-DC, 12V@5A, 60W Power Consumption: 13W
<b>Environmental</b>	Operating Temperature	0~50°C
	Storage Temperature	-10~60°C
	Relative Humidity	10%-90%, @ 40°C (non-condensing)
	Vibration	5~500Hz, 0.026 G <sup>2</sup> /Hz, 2.16 Grms, X, Y, Z, 1 hour per axis
<b>Certificate</b>	Certificate	CE, FCC
<b>Mechanical</b>	Housing	Aluminum alloy panel, all-metal structure
	Mounting Mode	Panel-mount, VESA-mount
	Dimension(mm)	261.4 x 174.6 x 34
	Weight	1.8kg

## MECHANICAL DRAWING:

*This is subject to change without Notice. Final Drawings Will be Provided for Approval after Order.*



Drawing No.: DRPCW1010-J-PCAP-07282023-V1