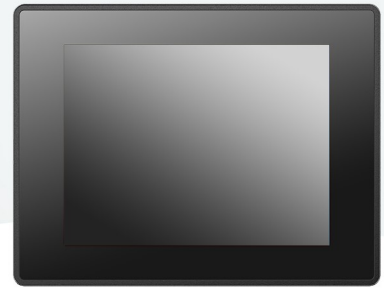


# TOUCH PANEL PC

8" Fanless Design, Front Panel IP65 LED Backlight LCD Resistive Touch  
Panel PC with Intel Celeron Processor  
1 COM, 2 USB, 2 GbE, HD Audio, VGA, HDMI  
Panel and VESA mounting  
DDR3L 4GB On board  
128SSD  
Win 10 IoT



## Model: DRPC800-J

### FEATURES:

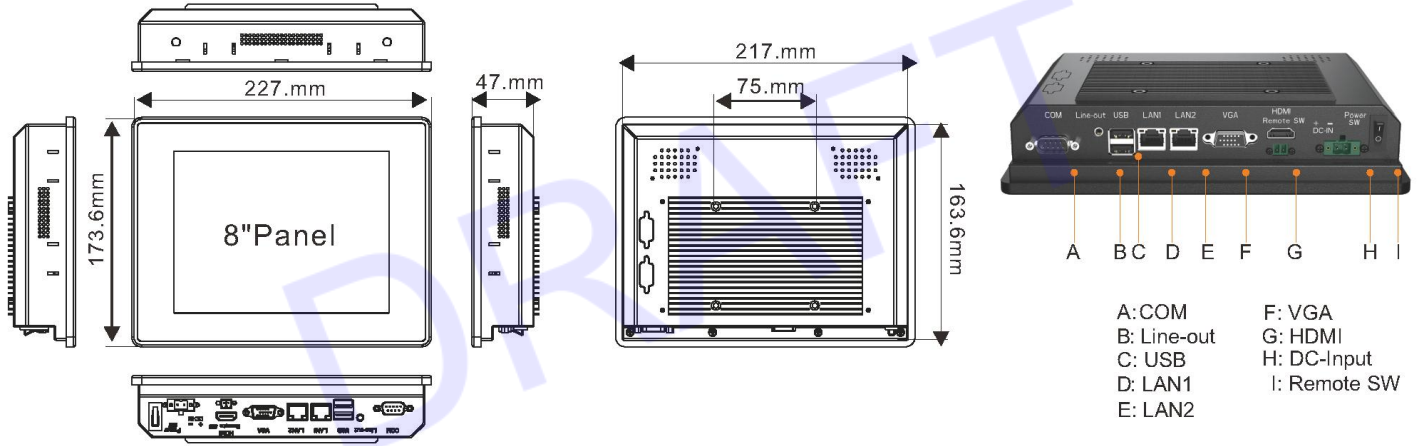
- 8" LED backlight LCD and Resistive touch panel
- Fanless design, Front Panel IP65
- Embedded Intel Celeron J1900(2.0GHz) processor
- 1 COM, 2 USB, 2 GbE, HD Audio, VGA, HDM
- Panel and VESA mounting

### SYSTEM SPECIFICATIONS:

SYSTEM	Processor	Intel Quad-Core Celeron J1900
	System Memory	DDR3L 4GB
	Storage	1 x Full-size mini-PCIe for mSATA SSD
	Operating System	Windows 7/8.1/10
DISPLAY	Size	8-inch
	Resolution	1024 x 768
	Viewing Angle	80/80/80/80
	Brightness	400 cd/m <sup>2</sup>
	Backlight	LED
	LED Lifetime	30000 hrs
	VGA	Up to 2560 x 1600
	HDMI	Up to 1920 x 1080
TOUCH SCREEN	Multi-Display	Dual display (LVDS + VGA/HDMI)
	Type	5-Wire Analog Resistive Touch
	Transmittance	80%
	Control Interface	USB
I/O INTERFACE	Surface Hardness	≥3H
	Serial Port	1 x RS-232/485
	USB Port	1 x USB3.0, 1 x USB2.0
	Ethernet Display Interface	2 x GbE LAN
	Others	1 x HDMI, 1 x VGA 1 x DC-IN (2-Pin Phoenix) 1 x Remote switch connector 1 x ATX Power Switch
AUDIO	Audio	1 x Line-out
	Speaker	N/A
EXPANSION	Mini-PCIe	1 x Full-size mini-PCIe for mSATA 1 x Full-size mini-PCIe
POWER MANAGEMENT	Power Input	DC 12V
	Power Adapter	AC-DC, 12V@5A, 60W
	Power Consumption	15W
ENVIRONMENTAL	Operating Temperature	-10~50°C
	Storage Temperature	-20~60°C
	Relative Humidity	10%-90%, @ 40°C (non-condensing)
	Vibration	5~500Hz, 0.026 G <sup>2</sup> /Hz, 2.16 Gms, X, Y, Z, 1 hour p
CERTIFICATE		CE, FCC
MECHANICAL	Housing	Aluminum alloy panel, all-metal structure
	Mounting Mode	Panel-mount, VESA-mount
	Dimension(mm)	227 x 173 x 47
	Weight	1.7kg

## MECHANICAL DRAWING:

*This is subject to change without Notice. Final Drawings Will be Provided for Approval after Order.*



Drawing No.: DRPC800-J-06202023-V1