

# TOUCH FANLESS PANEL PC

12" Fanless Resistive Touch Panel PC with Intel Celeron/Core i Processor, 2 COM, 4 USB, 2 GbE, HD Audio, VGA, HDMI Panel and VESA Mounting



## Model: DRPC1210-i5-TR

### FEATURES:

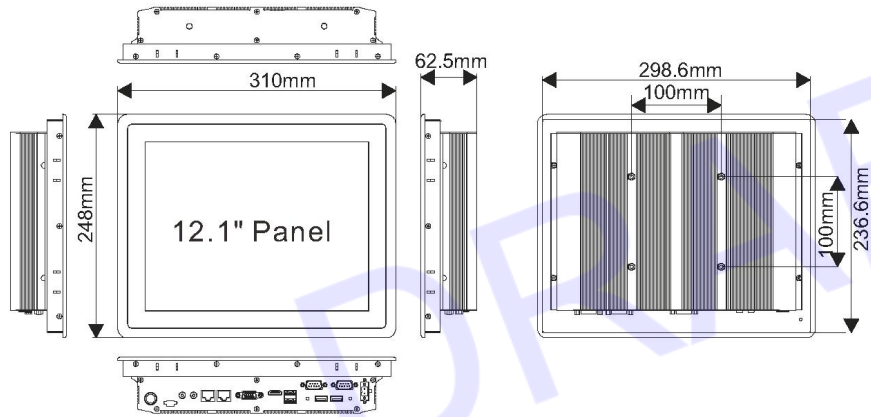
- 12" Intel Celeron/Core-i Processor Resistive Touch Panel PC
- 12" LED backlight LCD, resistive touch screen
- Fanless design, integral aluminum alloy profile heat dissipation.
- 2 COM, 4 USB, 2 GbE, HD Audio, VGA, HDMI
- Panel and VESA mounting
- + 8G RAM + 256 SSD + Win 10 IoT

### SYSTEM SPECIFICATIONS:

System	Processor	Intel Skylake Core i5-6200U Intel Comet Lake i5-10210U
	System Memory	2 x SO-DIMM DDR3L-1600, up to 32GB (I5-6200U) 2 x SO-DIMM DDR4-2666, up to 64GB (I5-10210U)
	Storage	1 x Full-size Mini-PCle for mSATA SSD
	Operating System	Windows 7/8.1/10
Display	Size	12-inch
	Resolution	1024 x 768
	Viewing Angle	80/80/80/80
	Brightness	450 cd/m <sup>2</sup>
	Backlight	LED
	LED Lifetime	50000 hrs
	VGA	Up to 1920X1200@60Hz
Touch Screen	Type	5-Wire Analog Resistive Touch
	Control Interface	USB
	Surface hardness	≥3H / ≥7H
I/O Interface	Serial Port	2 x RS-232 (COM1/2)
	USB Port	4 x USB
	Ethernet	2 x GbE LAN
	Display Interface	1 x HDMI, 1 x VGA
	Audio	1 x Line-out, 1 x Mic
	Others	1 x DC-IN (2-Pin Phoenix) 1 x Remote Switch Connector 1 x ATX Power Switch
Expansion	Mini-PCie	1 x Full-size Mini-PCle for mSATA 1 x Full-size Mini-PCle
	Power Input	12V (9~36V Optional)
Power Management	Power Adapter	AC-DC, 12V@5A, 60W / AC-DC, 12V@7A, 84W
	Power Consumption	25W
Environmental	Operating Temperature	-10~50°C
	Storage Temperature	-20~60°C
	Relative Humidity	10%-90%,@ 40°C (non-condensing)
	Vibration	5~500Hz, 0.026 G/Hz, 2.16 Grms, X, Y, Z, 1 hour per axis
Certificate	Certificate	CE, FCC
Mechanical	Housing	Aluminum alloy panel, all-metal structure
	Mounting Mode	Panel-mount, VESA-mount
	Dimension(mm)	310 x 248 x 62.5
	Weight	3.8kg

## MECHANICAL DRAWING:

*This is subject to change without Notice. Final Drawings Will be Provided for Approval after Order.*



- |             |                 |
|-------------|-----------------|
| A: DC-INPUT | G: USB          |
| B: COM1     | H: LAN1         |
| C: USB      | I: LAN2         |
| D: COM2     | J: Mic          |
| E: HDMI     | K: Line-out     |
| F: VGA      | L: Power Switch |
|             | M: Remot SW     |

Drawing No.: DRPC1210-i5-TR-06282023-V1