

# RUGGED MILITARY LCD

Rugged Mil Spec Monitor 6.5" SVGA LCD, Resistive Touch Screen (RS232 Interface)  
VGA Video Input, 12-36VDC Power Input, External cables are not included.  
(Pin out will be provided)

Note: All Military grade related units are NCNR. Non-cancellable and Non-returnable



## Model: DMM0650R-TRS

On today's digital battlefield, rugged hardware must be designed to operate in any environment. iTech designs and manufactures highly reliable military COTS displays that meet and exceed key military specifications including MIL-STD-461, MIL-STD-810 and MIL-STD-1275.

### STANDARD FEATURES

- VGA Input (1)
- VGA Resolution (640x480)
- Auto Scaling VGA to UXGA
- MIL-C Connectors\*
- LED Backlight (3000:1 Dimming Ratio)
- Anti-Reflective and Anti-Glare Treatments
- Enhanced Sunlight Readability
- IP67/NEMA 6 Enclosure (Sealed Connectors\*)
- Bezel Keys
- 6.5" TFT AMLCD
- MIL-STD-461, 810, 1275

### OPTIONAL FEATURES

- Resistive Touch Screen (USB or RS232 Interface)
- XGA Display Resolution (1024x768)
- Night Vision Compatible – Monochrome Red/Green
- NVIS MIL-STD-3009 Class B White Compliant

### MOUNT OPTIONS



Panel Mount



RAM Mount



Flush Mount



RACK Mount

## SPECIFICATIONS

LCD Size	Resolution	Nits	Viewing Angle	Contrast Ratio	Maximum Power Consumption
6.5" TFT AM LCD	VGA (640x480)	800 nits	160° (H) x 160° (V)	600:1	20 Watts

### TECHNICAL SPECIFICATIONS

Display	8-bit Color, 16,777,216 Colors. TFT AMLCD (Thin-Film Transistor Active-Matrix Liquid-Crystal Display)
Dimming Ratio	3000:1
Video Input	VGA
Connectors*	MIL-C Connectors
Housing	Milled AL, Black Hard Anodized
Mounting	Flush, Panel, Rack or RAM; Quoted individually.
Wide Range DC Power Input	10-36 VDC (12,24,28 VDC nominal)
Power Conditioning	Protected against Internal Short Circuit, Load Dump, Over Voltage and Reverse Polarity

### ENVIRONMENTAL SPECIFICATIONS

IP Rating	IP67 (NEMA 6 Submersible)
Operating Temperature	-40°C to 71°C (-40°F to 160°F); (-20°C (-4°F) with Touchscreen Option)
Storage Temperature	-51°C to 71°C (-60°F to 160°F)
Humidity	0-100%
Altitude	45,000 ft.

### MILITARY SPECIFICATIONS

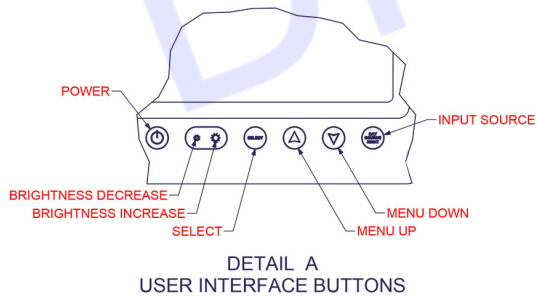
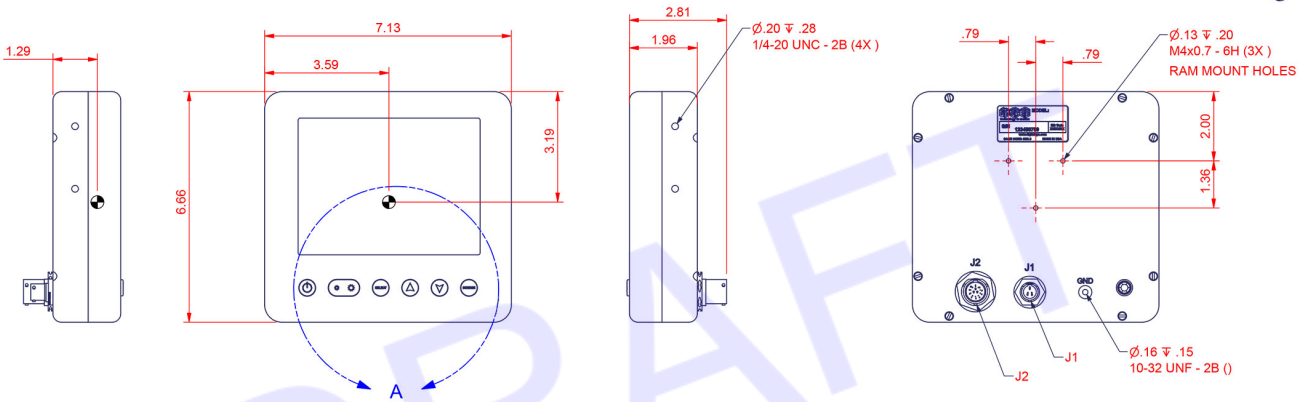
MIL-STD-461	EMI	MIL-STD-810	Method 512; Immersion
MIL-STD-704	Aircraft Power Requirements	MIL-STD-810	Method 513; Acceleration
MIL-STD-810	Method 500; Altitude	MIL-STD-810	Method 514; Procedure I, II, V, VI; General Vibration
MIL-STD-810	Method 501; I & II; High Temperature	MIL-STD-810	Method 516; Procedure I, Functional Shock
MIL-STD-810	Method 502; I & II; Low Temperature	MIL-STD-810	Method 520; Temp, Humidity, Vibe and Altitude
MIL-STD-810	Method 503; Temperature Shock	MIL-STD-810	Method 523; Vibro-Acoustic/Temp
MIL-STD-810	Method 505; Solar Radiation	MIL-STD-1275	Vehicle Power Requirements
MIL-STD-810	Method 506; Rain	MIL-STD-1472	Thermal Contact Hazard
MIL-STD-810	Method 507; Humidity	MIL-STD-3009	NVIS Compatible (Optional)
MIL-STD-810	Method 508; Fungus	MIL-PRF-22885	Sunlight Readability for Push Buttons
MIL-STD-810	Method 509; Salt/Fog	MIL-A-8625	Standard Finish, Type III, Class 1 & 2
MIL-STD-810	Method 510; Blowing Sand and Dust	MIL-PRF-22750	Painted Finish, Optional, Minimum Quantity Required
MIL-STD-810	Method 511; Explosive Atmosphere	MIL-DTL-26482	(and 38999) Connector, Qualified

*\*Specifications subject to change without notice, not responsible for typographical errors.*

# MECHANICAL DRAWINGS

This is subject to change without Notice. Final Drawings Will be Provided for Approval after Order.

CENTER OF GRAVITY



POWER 3 PIN RECEPTACLE MIL-DTL-26482 SERIES I CONNECTOR	
PIN	SIGNAL
A	28 VOLT DC
B	28 VOLT RTN
C	N/C
AMPHENOL #	71-533721-33P (3-pin power)
Mate #	PT06E833SSR (141247)
Strain #	Included
Cable Assy#	900222

RGB 13 PIN RECEPTACLE MIL-DTL-38999 SERIES I CONNECTOR	
PIN	SIGNAL
1	Red Video Signal
2	Red Video Ground
3	Green Video Signal
4	Green Video Ground
5	Blue Video Signal
6	Blue Video Ground
7	H-SNYC
8	V-SNYC
9	H/V SYNC Ground
10	USB+/RS-232 RXD
11	USB-/RS-232 TXD
12	Digital Ground
13	Ri-OUT
AMPHENOL #	88-569722-35P (Video Only)
Mate #	MS27467E11B35S (141238)
Strain #	M85049/49-2-10W (141248)
Cable Assy#	900230

Drawing No.: DMM0650R-TRS-06272023-V1