

Industrial Panel Mount LCD



27" Front IP65 Industrial Panel 1920x1080, 250nits, Panel Mount Design (with 3mm Front Bezel) / Clamp with VESA Mount AR Glass, Speakers / I/O: VGA, DVI, HDMI and 9-36VDC with Terminal Block

Model: EPMW2700HDWV-DC-V2

FEATURES

- Mechanical design is modularized to offer flexibility in product configuration and simplified maintenance.
- AR Glass only
- Equipped with an auto-brightness sensor for day and night applications.
- VGA connector available with optional AV, SV, and AV-Looping.
- Tailored custom design and solutions provided for OEM customers.

SPECIFICATIONS:

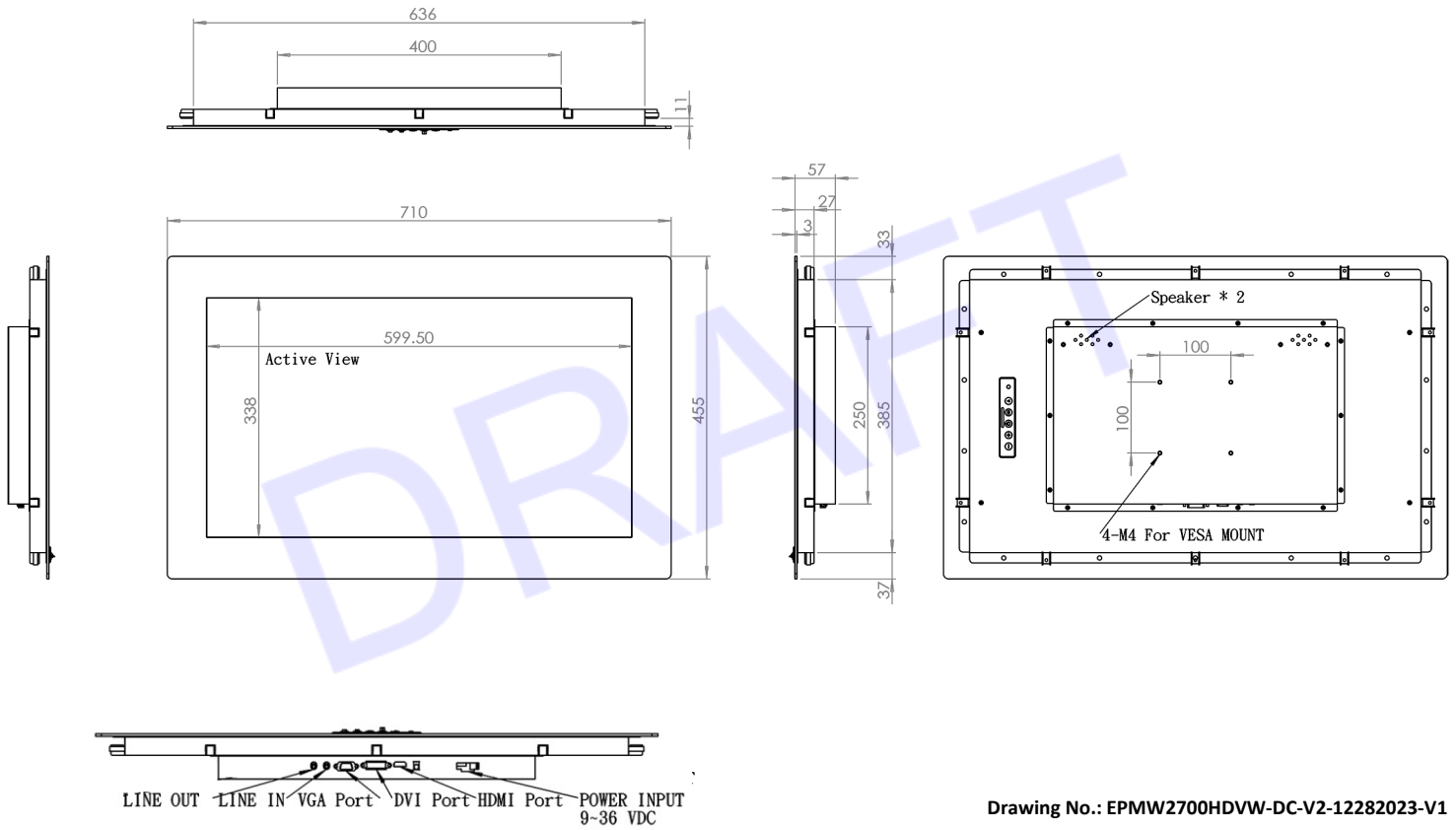
Panel	Cell Type / Glass Surface	TFT LCD / Black Anti-Glare, low reflection coating	
	Aspect Ratio / Size	Wide / 27" viewable diagonal area	
	Active Area / Pixel Pitch	599.50(H) x 338(V) mm / 0.3114(H) x 0.3114(V) mm	
	Native Resolution / Colors	1920(H) x 1080(V) / 16.7M	
	Brightness / Contrast	250 cd/m ² (typ) / 1000 : 1	
	Response Time	≤ 15 ms	
	Viewing Angle (typical)	H. 178° (- 89° ~ + 89°) , V. 178° (- 89° ~ + 89°)	
	Light Source	LED backlight, Long life, 35,000 hrs (typ)	
Input Sources	PC System	Signal	Analog RGB (0.7/1.0 V _{p-p} , 75 ohms)
		Sync	Separate Sync, Composite Sync, Sync On Green
		Frequency	F _H : 30 - 82Khz , F _V : 50 -75Hz
	Audio System	2W speaker x 2	
Input Terminals	VGA, DVI, HDMI		
Convenient Features	Auto Calibration , Back Light Adjustment , Plug&Play (VESA DDC/CI, DDC 2B)		
	OSD Multi-Languages , Wall Mount Ready (VESA 75 x 75 mm)		
Power	9-36VDC with Terminal Block		
Power Consumption	Operation / Power Saving	42.5 watt , < 1 watt (Support DPMS)	
Operating Condition	Temperature / Humidity	0°C ~ 50°C (32°F ~ 122°F) , 10% ~ 90% (no condensation)	
Storage Condition	Temperature / Humidity	- 20°C ~ 60°C (- 4°F ~ 140°F) , 10% ~ 90% (no condensation)	
Certification	FCC , CE		
Dimensions	Physical	Please refer to Drawing	
	Carton	W x H x D = TBD	
Weight	Shipment	15 Kg	
Container Loaded	20ft / 40ft / 40ft HQ	TBD (Sets , By pallet)	

Options	Touch	Video / TV	Enhanced Panel	Others
	Resistive touch	SV + AV	Panel with LED backlight	Digital Signage(Stand alone)
	Capacitive touch	SV + AV + AV_Looping	High brightness panel	Networking Digital Signage
	SAW touch	SV + AV + TV	Wide Temperature	Motion Sensor
	Infrared touch		Sunlight Readable	Light Sensor
	Protected glass			Auto-Dimming

*Specifications subject to change without notice, not responsible for typographical errors.

MECHANICAL DRAWINGS:

This is subject to change without Notice. Final Drawings Will be Provided for Approval after Order.



Drawing No.: EPMW2700HDVW-DC-V2-12282023-V1