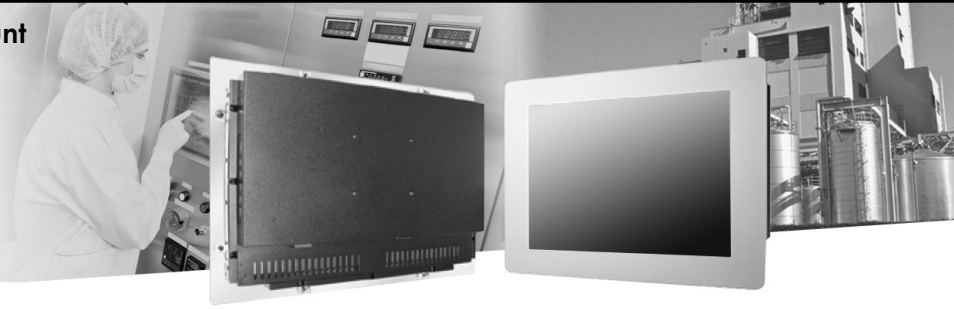


NEMA4X/IP65 STAINLESS STEEL PANEL (FRONT BEZEL 3MM)

18.5" NEMA4x/IP65 Front Stainless Steel Panel Mount
1920x1080 / 250nits with Resistive Touch

MODEL: CSPMW1850-TR



FEATURES:

- 18.5" Industrial panel / 1920 x 1080 / 250nits
- Panel Mount (with 3mm stainless front bezel) / clamp with VESA mount
- Front bezel dims. spec. : 48.3 x 33.7cm
- Resistive Touch / Front IP65
- I/O : VGA, DVI-D, HDMI, USB (for Touch use) and 9-36VDC with Terminal Block

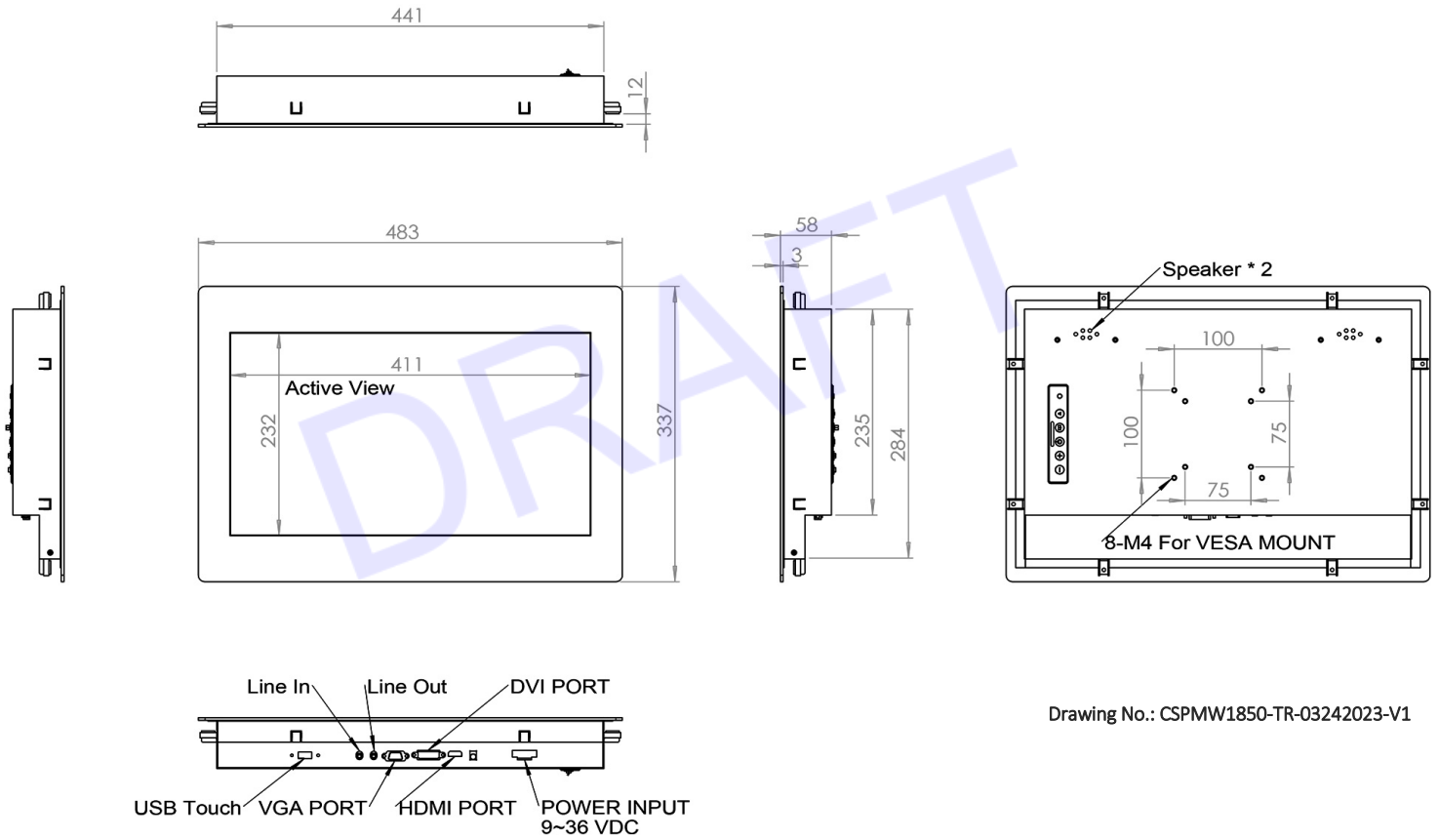
SPECIFICATIONS:

Panel	Cell Type / Glass Surface	TFT LCD / Black Anti-Glare, low reflection coating	
	Aspect Ratio / Size	Wide / 18.5" viewable diagonal area	
	Active Area / Pixel Pitch	411(H) x 232(V) mm / 0.3(H) x 0.3(V) mm	
	Native Resolution / Colors	1920(H) x 1080(V) / 16.7M	
	Brightness / Contrast	250 cd/m2 (typ) / 1000 : 1	
	Response Time	≤ 5 ms	
	Viewing Angle (typical)	H.170° (- 85° ~ + 85°) , V. 160° (- 80° ~ + 80°)	
	Light Source	LED backlight, Long life, 35,000 hrs (typ)	
Input Sources	PC System	Signal	Analog RGB (0.7/1.0 Vp-p, 75 ohms)
		Sync	Separate Sync, Composite Sync, Sync On Green
		Frequency	Fh : 30 - 82Khz , Fv : 50 -75Hz
	Audio System	2W speaker x 2	
Input Terminals	VGA, DVI-D, HDMI, USB (for Touch use), 1x PC Audio (Stereo Headphone Jack) , 1 x DC Power Plug		
Convenient Features	Auto Calibration , Back Light Adjustment , Plug&Play (VESA DDC/CI, DDC 2B)		
	OSD Multi-Languages , Wall Mount Ready (VESA Dimension - please refer to Drawing)		
Power	9-36VDC with Terminal Block		
Power Consumption	Operation / Power Saving	17.5 watt , < 1 watt (Support DPMS)	
Operating Condition	Temperature / Humidity	0°C ~ 50°C (32°F ~ 122°F) , 10% ~ 90% (no condensation)	
Storage Condition	Temperature / Humidity	- 20°C ~ 60°C (- 4°F ~ 140°F) , 10% ~ 90% (no condensation)	
Certifications		FCC , CE	

**Specifications subject to change without notice, not responsible for typographical errors.*

MECHANICAL DRAWING

This is subject to change without Notice. Final Drawings Will be Provided for Approval after Order.



Drawing No.: CSPMW1850-TR-03242023-V1