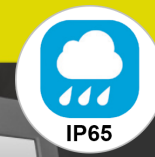


# IP65 FRONT PANEL PC (3mm FRONT BEZEL)



19" Industrial Panel Resistive Touch / Front IP65 Panel Mount  
(with 3mm front bezel) with JIMB-1900-2L / J1900 / RAM 8GB  
/ SSD 256GB, 256GB, I/O : VGA, USB x4, LAN x2, RS232 x3

**MODEL: CPM1900-J-TR-AE01**

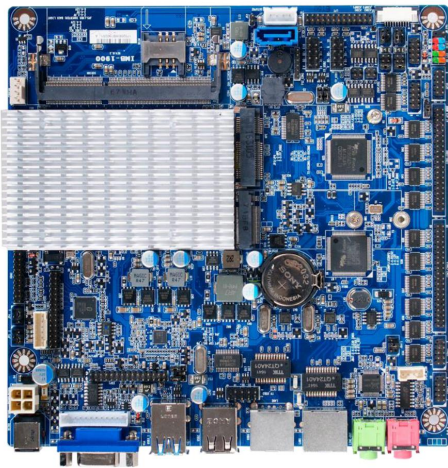


## FEATURES:

- 19" industrial panel ( physical size : 39.6 x 32.4 x 1.09cm ) / 1280x1024 / 250nts
- Cut out dims. : 42 x 35cm
- Panel Mount ( with 3mm front bezel ) / clamp with VESA mount
- Resistive Touch / Front IP65
- JIMB-1900-2L / J1900 / RAM 8GB / SSD 256GB
- I/O : VGA, USB x4, LAN x2, RS232 x3
- 9-36VDC with Terminal Block and 12VDC / 80W power adapter for testing
- Win 10 IoT 2016 LTSB

## SPECIFICATIONS:

<b>Panel</b>	Cell Type / Glass Surface	TFT LCD / Black Anti-Glare, low reflection coating
	Aspect Ratio / Size	4 : 3 / 19" viewable diagonal area
	Active Area / Pixel Pitch	378.70(H) x 303.70(V) mm / 0.294(H) x 0.294(V) mm
	Native Resolution / Colors	1280(H) x 1024(V) / 16.7 M
	Brightness / Contrast	250 cd/m <sup>2</sup> (typ) / 800 : 1
	Response Time	< 5 ms
	Viewing Angle (typical)	H. 170° (- 85° ~ + 85°) , V. 160° (- 88° ~ + 88°)
	Light Source	LED backlight, Long life, 35,000 hrs (typ)
<b>Power</b>	Power Input	9-36VDC with Terminal Block and 12VDC / 80W Power Adapter for testing
	Power Consumption	60~70 Watts
<b>Operating Condition</b>	Temperature / Humidity	0°C ~ 50°C (32°F ~ 122°F) , 10% ~ 90% (no condensation)
<b>Dimensions</b>	Physical	Please refer to Drawing
	Carton	W x H x D = TBD



## JIMB-1900-2L MB Specifications

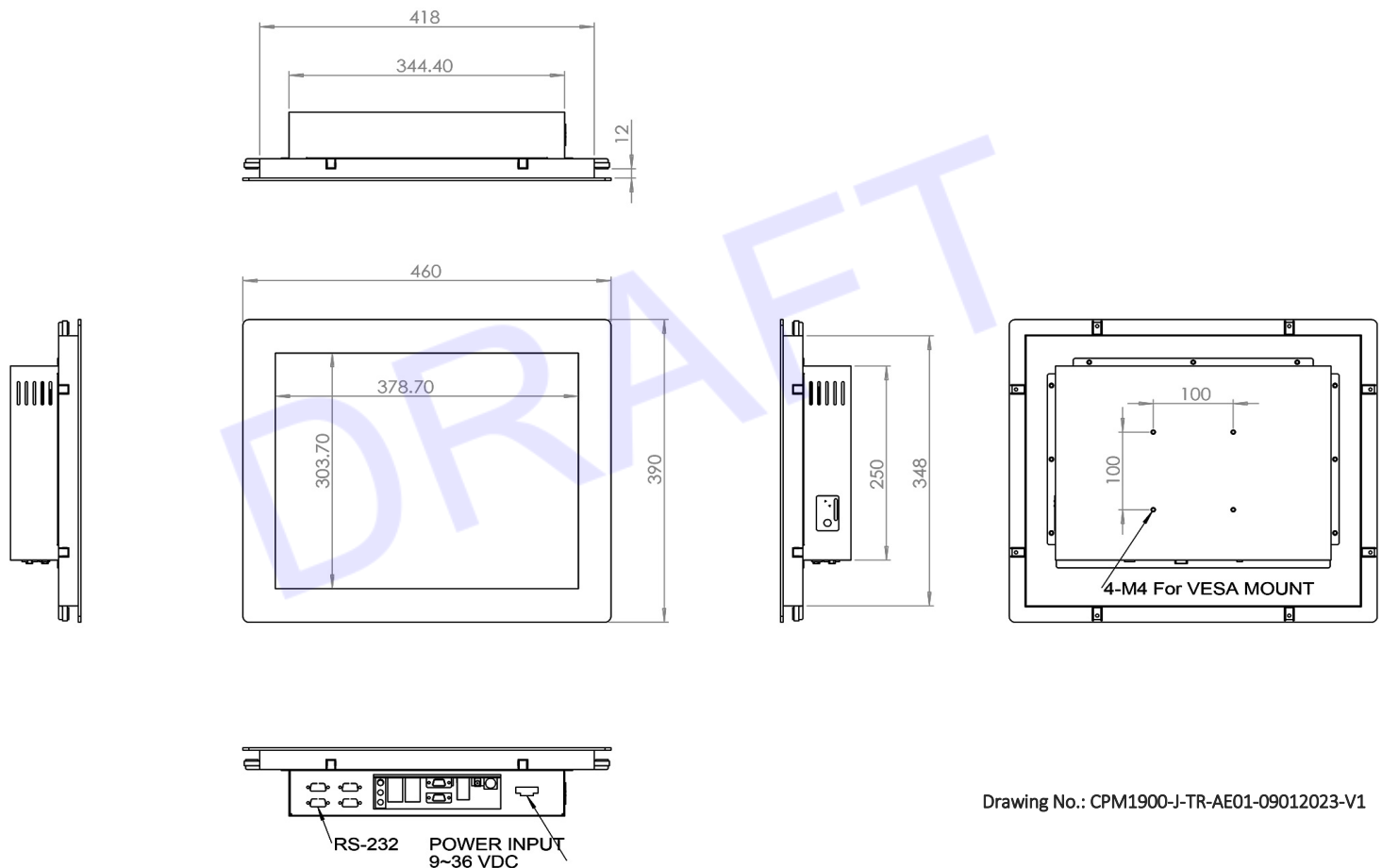
- Intel Celeron J1900 (2.0 GHz) quad-core processor
- Support DirectX 11 3D Graphics Acceleration
- Support DDR3L 1333
- Integrated HD Audio CODEC
- Support 2\*PCI Express Gigabit LAN
- Support Power Onboard(12V)
- Onboard 1\* MiniPCI-E connector
- Onboard 1\* M.2 connector(2242/2260)
- 2 Phase CPU Power Support
- Support 1\* USB3.0, 9\* USB2.0
- Support 12\* COM(COM1/2 Support RS232/422/485)
- Support Amplifier function(3W)
- Support Thunder Protection Function
- Thin mini ITX Form Factor(170mm X170mm)

<b>CPU-Chipset</b>	INTEL® Celeron™ J1900 (2.0 GHz) quad-core processor
<b>I.O Chipset</b>	2 Phase CPU Power Support FINTEK F81866AD-I
<b>Memory</b>	1*SO-DIMM slot Support DDR3L 1333 Max. capacity of system memory up to 8GB
<b>Expansion Slots</b>	1* Mini PCI-E connector
<b>Storage</b>	1* Serial ATA2 3Gb/s connector 1* M.2 Connector(2242/2260)
<b>Audio</b>	ALC662 Audio CODEC
<b>Ethernet LAN</b>	HD Audio CODEC REALTEK® RTL8111G Chip
<b>LVDS</b>	2* PCI Express Gigabit LAN Onboard 24-bit Dual channel(Co-Lay EDP)
<b>USB</b>	1* USB3.0 Port 9* USB 2.0 (3 distribute in back panel, 6 distribute in mid-board)
<b>Special Features</b>	Support CPU Smart Fan Support Watch dog Technology Support GPIO Technology Support VGA header Support HDIM header Support Power On board Support Amplifier function(3W) Support 2*RS422/RS485/RS232 COM ports COM 1/COM2 Support 5V/12V TTL Thunder Protection Function All Solid Capacitor design All Power Pack MOSFET design
<b>Back Panel I / O</b>	2* USB3.0 port 2* USB 2.0 ports 2* RJ-45 ports 1* Line-out connector 1* MIC 1* VGA port (Max. Resolution: 1920*1200@60Hz) 1* 12V DC in

<b>Internal I / O</b>	3* USB 2.0 headers for 6 USB 2.0 ports
	1 * CPU / Chassis Fan connectors
	12* COM headers(COM1/COM2 For RS422/RS485/RS232 and TTL )
	1* Parallel header
	1* PS2/KB header
	1* 4-pin ATX 12V Power connector
	1* 4-pin SATA Power connector
	1* 12-pin VGA header (Max. Resolution: 1920*1200@60Hz)
	1* 20-pin HDMI header (Max. Resolution: 1920*1200@60Hz)
	1* 24-bit Dual Channel LVDS header (Max. Resolution: 1920*1200@60Hz)
	1* GPIO header
	1* Mini PCI-e connector
	1* M.2 Connector(2242/2260)
	1* SATA Connector
	1* Speaker header(Amplifier function 3W)
1* Front panel header	
1* SIM Card socket	
<b>BIOS</b>	AMI 64MB SPI ROM
<b>Temperature</b>	Operating: 0°C ~ 70°C Storage: -20°C ~ 85°C
<b>Form Factor</b>	Thin mini ITX Form Factor(170mm X 170mm)
<b>Accessory</b>	SATA Cable SATA Power cord COM Cable I/O Shield
<b>OS Support</b>	Windows 7 (32/64-bit), Windows 8.1 (32/64-bit), Windows 10 (32/64 Bit) Windows Server 2012R2, Windows Server 2016, Windows Server 2019 Linux: Cent OS, Debian, Fedora, OpenSUSE, Ubuntu, pfSense, FreeNAS, RedHat

## MECHANICAL DRAWING:

*This is subject to change without Notice. Final Drawings Will be Provided for Approval after Order.*



Drawing No.: CPM1900-J-TR-AE01-09012023-V1

Modified: 09-01-2023