

INDUSTRIAL OPEN FRAME LCD MONITOR

17" Open Frame Design Industrial Panel 1920x1080, 400nits.
with VESA mount, AR Glass, I/O : VGA, DVI and 12 VDC
with external 100-240VAC power adapter

MODEL: COPW1730HBV1



FEATURES:

- 17.3" Industrial Panel (AUO_G173HW01.0)
- Resolutions:1920x1080
- Brightness: 400nits
- Open frame design / VESA mount
- AR Glass
- I/O : VGA, DVI and 12 VDC with external 100-240VAC power adapter

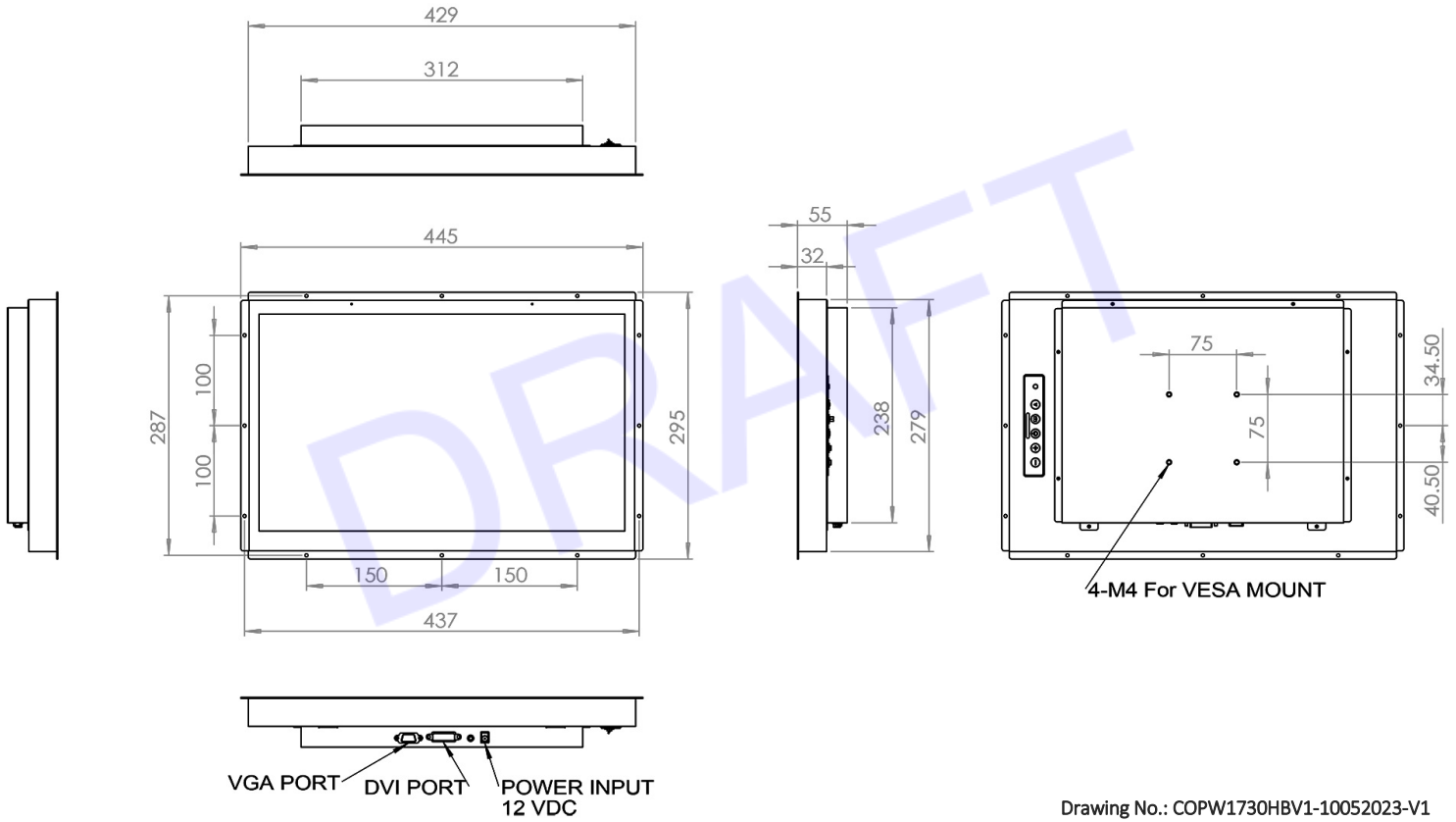
SPECIFICATIONS:

Viewable Size image	17" (16:9)
Active Display Area (mm)	372.48 (H) x 223.488 (V)
Pixel Pitch(mm)	0.291 (H) x 0.291 (V)
Number of Pixels	1920x1080
Contrast Ratio	600:1 (typ.)
Display Color	16.7M(8bit/colors)
Brightness(cd/m2)	400(typ.)
Viewing Angle(CR>=10)	- 89~89(H); -89~89(V)
Synchronization Range (Horizontal / Vertical)	31.5~60.0KHz/60~75Hz
Signal Connector	VGA, DVI
Power Source	12 VDC with external 100-240VAC power adapter
Power Consumption	52W typical, normal operation
Power Management	VESA DPMS Compliant
Plug & Play	VESA DDC 1/2B
Optional Video Input	S-Video, Composite
Optional Touch Screen	Resistive, SAW

**Specifications subject to change without notice, not responsible for typographical errors.*

MECHANICAL DRAWING:

This is subject to change without Notice. Final Drawings Will be Provided for Approval after Order.



Drawing No.: COPW1730HBV1-10052023-V1