

43" ALL IN ONE PC WIDESCREEN DISPLAY CHASSIS/VESA MOUNT

43" Industrial Panel LCD Monitor 1920x1080, 500nits, with AR Glass, Front IP65, MF04V00 / J6412 Intel Celeron / RAM 4GB / SSD 128GB
100-240VAC Power Input, Excluded OS Installation



Model: CCPCW4300HD-J-V1

FEATURES:

- 43" Industrial Panel / 1920x1080 / 500nits
- Pixel Pitch (mm) : 0.4902x0.4902
- Chassis Design / Wall Mount
- AR Glass / Front IP65
- Fan Design
- All Black Powder Coating
- MF04V00 / J6412 (1.5M Cache, up to 2.60GHz Intel Celeron Processor_Q1'21) / RAM 4GB / SSD 128GB
- 100-240VAC Power Input
- Excluded OS Installation

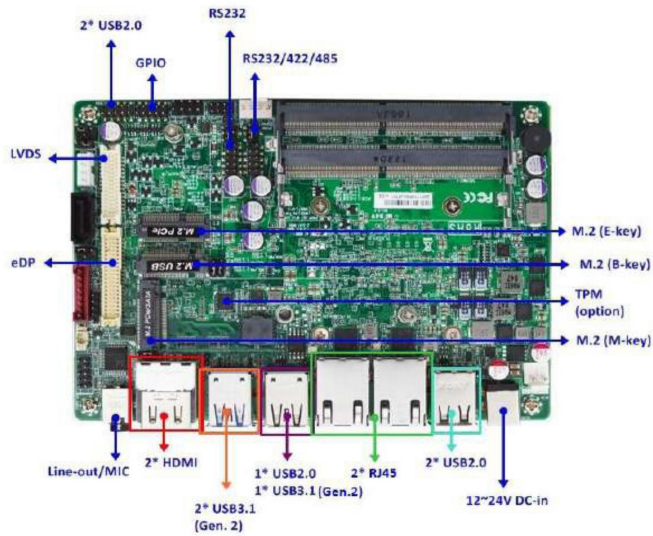
SPECIFICATIONS:

Display	Viewing Size Image	43"
	Active Display Area (mm)	942.20 (H) x 531.60 (V)
	Pixel Pitch (mm)	0.4902 x 0.4902
	Resolution	1920x1080
	Contrast Ratio	3000:1 (typ.)
	Color	16.7M(6-bit+Hi-FRC)
	Brightness	500nits
	Viewing Angle	-89-89 (H); -89-89 (V)
	Recommended Resolution	1920 x 1080 @60Hz
Power	Source	100-240VAC Power Input
	Management	VESA DPMS Compliant
Optional	Touch	YES
	High Brightness	1000,1500
	Auto Dimming	YES
	Power in	DC24V
	Remote Control	YES

**Specifications subject to change without notice, not responsible for typographical errors.*

MF04V00X - MOTHERBOARD

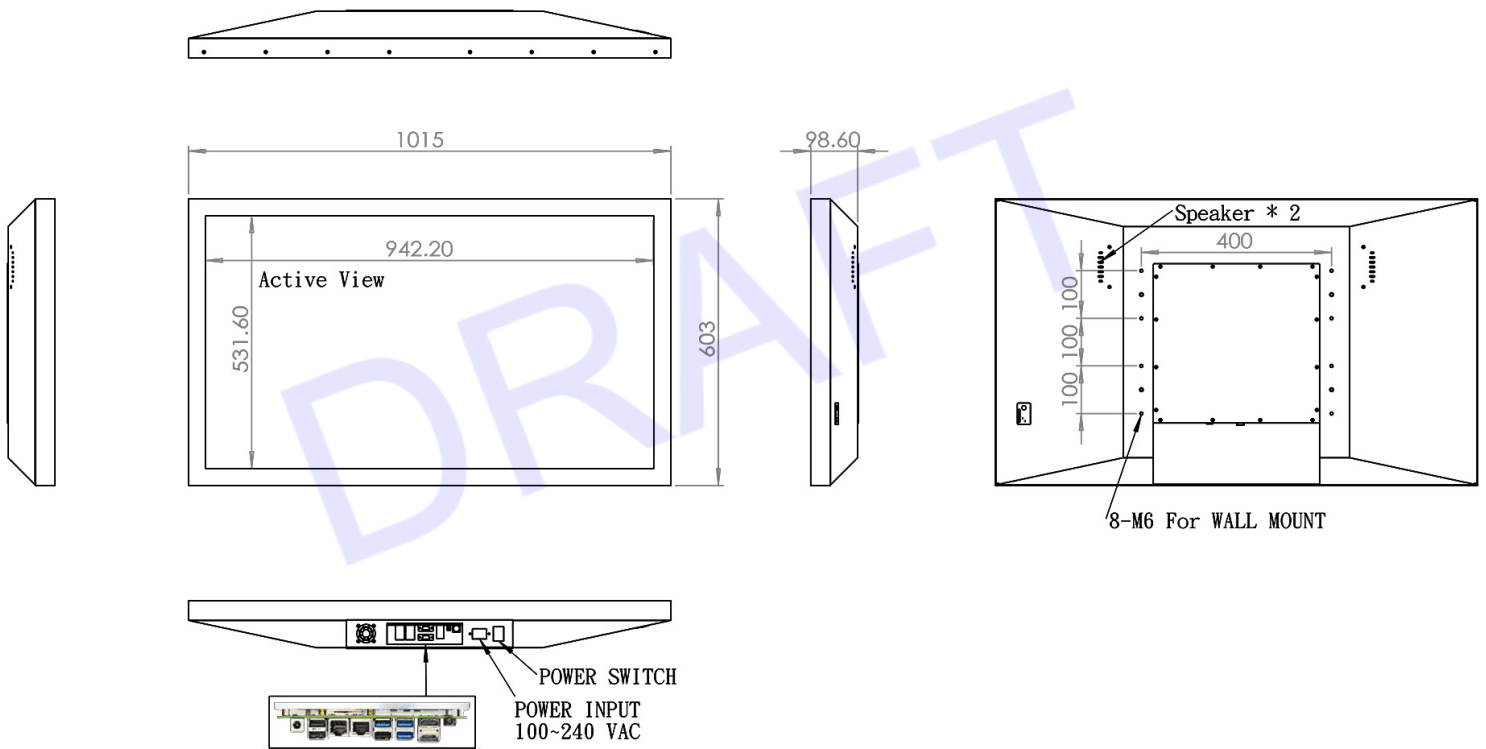
- Intel Elkhart Lake SoC Processor
- 2* DDR4 3200MHz Dual Channel SO-DIMM up to 32GB
- 2* Intel i225V 2.5GbE
- 2* HDMI2.0b, 1* eDP (co-layout LVDS)
- 2* COM, 3* USB3.1 (Gen.2), 5* USB2.0
- 1* M.2 E-key 2230, 1* M.2 B-key 3042 W/SIM card slot
- 1* M.2 M-key 2242/2280, 1* SATAIII (6Gb/s); 64GB eMMC (default)
- Support 12~24V DC-in



Processor System	Intel Elkhart Lake J6412 SoC Processor (TDP10W)
	AMI Flash ROM BIOS
Memory	2* SO-DIMM DDR4 3200MHz Dual Channel SDRAM up to 32GB
Ethernet	2* Intel® i225V 2.5GbE
Storage	1* SATAIII
	64GB onboard eMMC (MF04V04 & MF04V08)
	1* M.2 M-key (2242/2280) PCIe Gen.3 x2/SATA interface Support NVME
Rear I/O	3* USB3.1 (Gen.2), 3* USB2.0
	2* HDMI
	2* RJ45
	Line-out/MIC combo jack
	DC-in (12~24V)
Watchdog Timer	From Super I/O to drag RESETCON# 256 segments (10sec ~ 255min)
Form Factor	3.5" (5.8-in * 4.0-in, 148 * 102mm)
Expansion Slot	1* M.2 B-key (3042) Support USB3.1/USB2.0 interface W/SIM card slot
	1* M.2 E-key (2230) Support USB2.0/PCIe Gen.3 x1 interface
Graphics	Intel® HD Graphics, shared memory
	1* eDP (Max Resolution: 4096x2160@60Hz)
	1* LVDS (Max Resolution: 1920x1080@60Hz)
	2* HDMI2.0b (Max Resolution: 4096x2160@60Hz)
Audio	2 channel HD audio: Realtek ALC888S
Integrated Storage	N/A
Internal Connector	2* USB2.0
	1* eDP (co-layout LVDS)
	1* LVDS w/ Inverter
	1* RS232, 1* RS232/422/485
	1* SATAIII
	1* SIM card slot (along with M.2 B-key)
	1* GPIO (8 bit)
	1* Audio Header
	1* SMBUS
	1* CPU FAN
1* TPM2.0 onboard (MF04V02 & MF04V07)	
Power	DC-IN 12~24V
	AT/ATX Supported
	- AT: Directly PWR on as Power input ready - ATX: Press Button to PWR on after Power input ready
Temperature	
Operating	0°C ~ 60°C
Storage	-20°C ~ 85°C
Humidity	10% ~ 90% RH @40°C (non-condensing)
Compliance	CE, FCC, LVD, RoHS, REACH
OS Support	UEFI Win10 64-bit, Win 10 IoT Enterprise 64-bit LTSC 2019, CentOS (Version 9), Debian (Version 11.3), Fedora-LXDE (Version 36-1.5), Fedora Workstation (Version36-1.5), Fedora Server (Version 36-1.5), Open SUSE (Version 15.4), Ubuntu Standard / LTS (Version 22.04), Ubuntu Server (Version 22.04), pfSense (Version 2.6.0), TrueNAS (FreeNAS) (Version 13.0), RedHat Enterprise (Version 9.0), OPNSense (Version 22.1.2)

MECHANICAL DRAWINGS

This is subject to change without Notice. Final Drawings Will be Provided for Approval after Order.



Drawing No.: CCPCW4300HD-J-V1-12092024