

# CHASSIS WALL MOUNT ALL IN ONE PC

32" IP65 Front All in One PC Industrial Panel Chassis Design  
Wall Mount, JNC8H-H310 / i5-8500T, RAM 16GB / SSD 256GB  
100-240VAC Power Cord + Win 11 Pro 64 bit

Model: CCPCW3200i5-PCAP-AE1

## FEATURES

- Chassis Design / Wall mount
- P-CAP Touch / Front IP65
- All Black Powder Coating
- Fanless Design
- WiFi Module / Antenna ( 2.4G & 5G ) x2
- JNC8H-H310 / i5-8500T ( 9M Cache, up to 3.50GHz, 8th Generation Intel Core i5 Processor ) / RAM 16GB / SSD 256GB
- 100-240VAC power cord
- Win 11 Pro 64bit

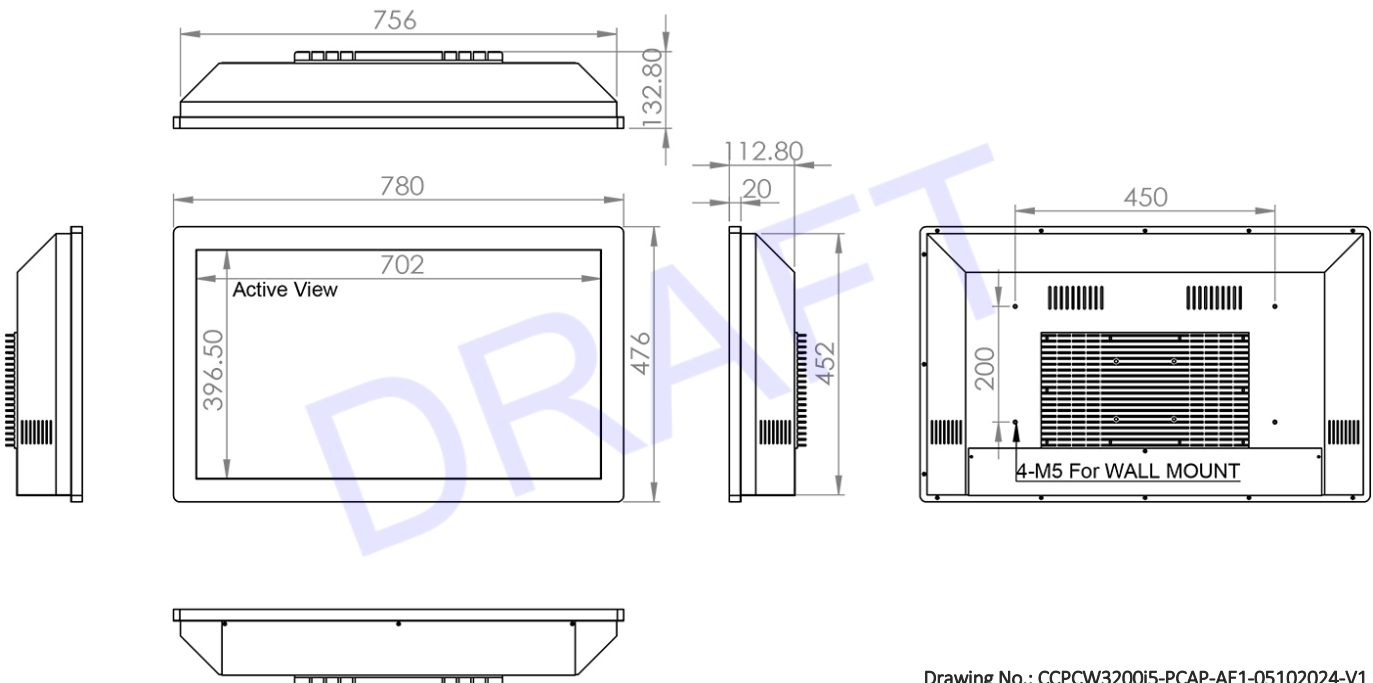
## LCD SPECS

Active Screen Size	31.55 inches(801.31 mm) diagonal
Outline Dimension	723.4(H) × 422.9(V) X 26.3 mm(D) (Typ.)
Pixel Pitch	0.36375 mm x 0.36375 mm
Pixel Format	1920 horiz. by 1080 vert. Pixels, RGB stripe arrangement
Color Depth	8bit, 16.7 Million colors
Luminance, White	350 cd/m2 (Center 1point ,Typ.)
Viewing Angle (CR>10)	Viewing angle free ( R/L 178 (Min.), U/D 178 (Min.))
Power Consumption	Total 36.0W(Typ.) [Logic= 6.3W(Typ.) /8.2W(Max.), BLU=29.7W(Typ.) /31.95W(Max.)]
Weight	3.6Kg(Typ.), 4Kg(Max.)
Display Mode	Transmissive mode, Normally black
Surface Treatment	Hard coating(3H), Anti-glare treatment of the front polarizer, Haze 1%(Typ.)
Possible Display Type	Landscape and Portrait Enabled

*\*Specifications subject to change without notice, not responsible for typographical errors.*

## MECHANICAL DRAWINGS

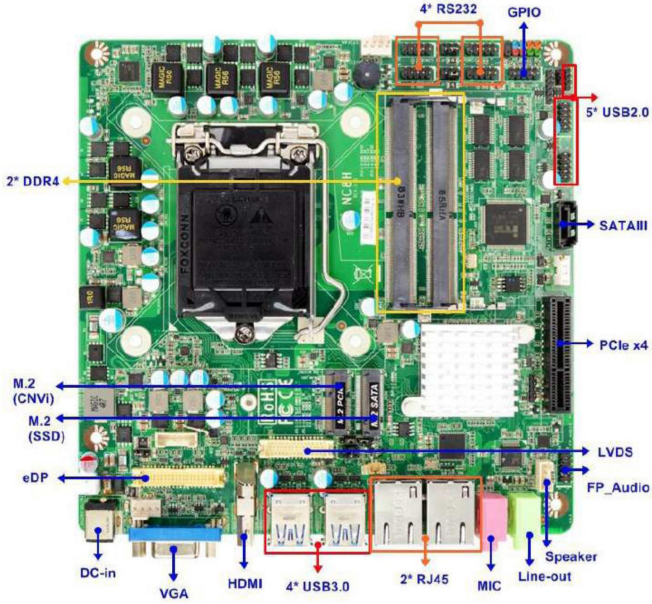
*This is subject to change without Notice. Final Drawings Will be Provided for Approval after Order.*



Drawing No.: CCPCW3200i5-PCAP-AE1-05102024-V1

Modified: 04-10-2024

## MOTHERBOARD SPECIFICATIONS:

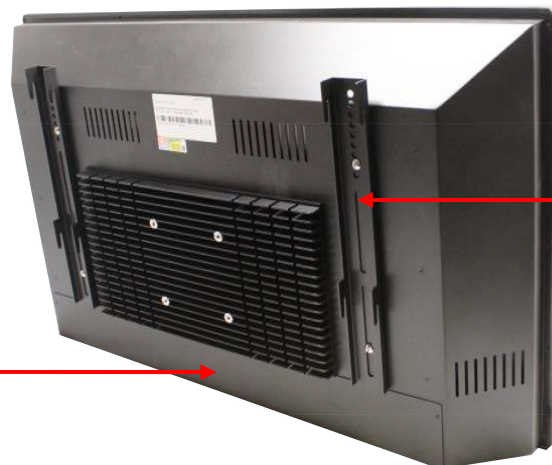
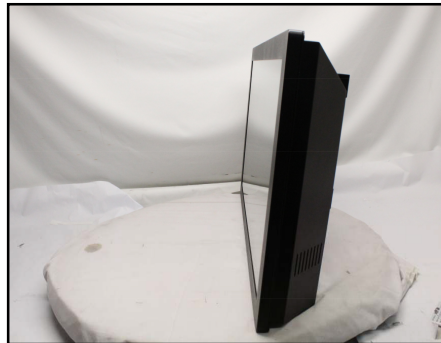


- Intel LGA1151 Socket Core 13,15,17 Pentium Processor (Max 65W)
- Intel Coffee Lake-S H310 Chip support 9th CPU
- Support Single Channel DDR4 2133MHz, up to 64GB
- Realtek ALC662VD Audio
- 1\* Intel® 1219-V + 1\* Intel® i211AT GbE
- 1\* SATAIII (6Gb/s) & M.2 (M key 2242)
- HDMI/VGA/EDP (CO-lay LVDS) Output
- 4\* RS232 (COM1/2 Support 5V/12V TTL), 4\* External USB3.0, 5\* Internal USB2.0
- 1\* PCIe x4 Slot, 1\* M.2 E key Support CNVi
- DC 12~24V Input
- Thin MINI ITX Form Factor (170 \*170 mm)

<b>Form Factor</b>	
Dimensions	- Thin Mini ITX ( 170 * 170mm)
<b>Processor System</b>	
CPU	- Intel® LGA1151 Series Processor (Max. 65W)
Core Number	- by CPU
Max Speed	- by CPU
L2 Cache	- by CPU
Chipset	-H310
BIOS	-AMI 128M Flash ROM
<b>Expansion Slot</b>	
M.2	-1 (E key 2230,Support CNVi)
SATA	-1
PCI-e	-1 * PCI-E x4 slot
<b>Memory</b>	
Technology	- Single channel DDR4 2133MHz DRAM
Max.	-64GB
Socket	-2*SO-DIMM
<b>Graphics</b>	
Controller	- Intel® HD Graphics
VRAM	- Shared Memory
VGA	-1 (Max. Resolution: 1920x1200@60Hz)
LVDS	-1 (Co-lay eDP, Max. Resolution: 1920x1080@60Hz)
eDP1.3	-1 (Co-lay LVDS, Max. Resolution: 4096x2304@60Hz)
HDMI 1.4	-1 (Max Resolution : 4096x2160@30Hz)
Multi Display	- Dual Display
<b>Ethernet</b>	
Ethernet	-10/100/1000 Mbps
Controller	- Intel® 1219-V + i211AT Gigabit LAN
Connector	- 2* RJ 45
<b>Audio</b>	
CODEC	- HD Audio : Realtek ALC662VD
Channel	- Line-Out, MIC
<b>SATA</b>	
Max Data Transfer Rate	-1* SATAN III (6.0Gb/s)

<b>Rear I/O</b>	
VGA	-1
HDMI	-1
Ethernet	-2
USB	- 4 * USB 3.0
Audio	-1 (Line-out, MIC)
DC-input	-1
<b>Internal Connector</b>	
USB	-5 (USB 2.0)
PS/2	-1
LVDS / inverter	-1 (Co-lay eDP)
eDP	-1
Serial	- 4 (COM1/2 Support 5V/12V TTL)
SATA	-1* SATA III (6.0Gb/s)
M.2	- 2 (M key + E key)
GPIO	-1 (8 bit)
Chassis intrusion	-1
Audio Header	-1
SMBUS/I2C	-1
AT mode	-1
<b>Watchdog Timer</b>	
Output	- From Super I/O to drag RESETCON#
Interval	- 256 segments (IOsec ~ 255min)
<b>Power Requirements</b>	
Input PWR	-12 ~ 24V DC-in
Power On	- AT/ATX Supported - AT : Directly PWR on as Power input ready - ATX: Press Button to PWR on after Power input ready
<b>Certifications</b>	
Certifications	- CE, FCC, RoHS, REACH
<b>Environment</b>	
Temperature	- Operating: 0°C~60°C - Storage: -20°C~85°C
<b>Warranty</b>	
Warranty	- 2 Years Limited Warranty
<b>Packing</b>	
Packing	- Net Weight: - Gross Weight: - Color Box dimension: 362*290.5*65mm

## PICTURES



Included Wall Mount Bracket

Protective cover to prevent any unnecessary access

