

SUNLIGHT READABLE RUGGED COMPLETELY SEALED FULL IP66/NEMA4X STAINLESS STEEL

High Brightness Rugged Completely Sealed Full IP66/NEMA4X Stainless Steel Chassis/Surface Mount, 65" Brightness 2500nits based on Default 3 set waterproof connectors Waterproof connectors & cables: HDMI,VGA & Power 6ft long only with external 100~240V AC + adapter Wide Temp -30 to 85C Operating Temp



MODEL: CCHW6500HB2-SIP



FEATURES:

- Vibrant High Contrast color TFT LCD Monitor with support for resolutions up to FULL HD (1920 x 1080).
- Power management system adheres to VESA DPMS and EPA Energy Star standards.
- Thoughtful design considerations for touch screen installation and application.
- Universal Power adapter for versatile usage.
- Plug & Play compatibility with support for DDC1 & DDC2B.
- Advanced OSD control for precise picture quality adjustment.
- Detachable stand facilitates wall-mounting applications.
- Sturdy Monitor featuring a robust steel frame for durability.
- IP66 Solid Back housing, excluding I/O and VESA mounting points.
- Custom design options available upon request.

SPECIFICATIONS:

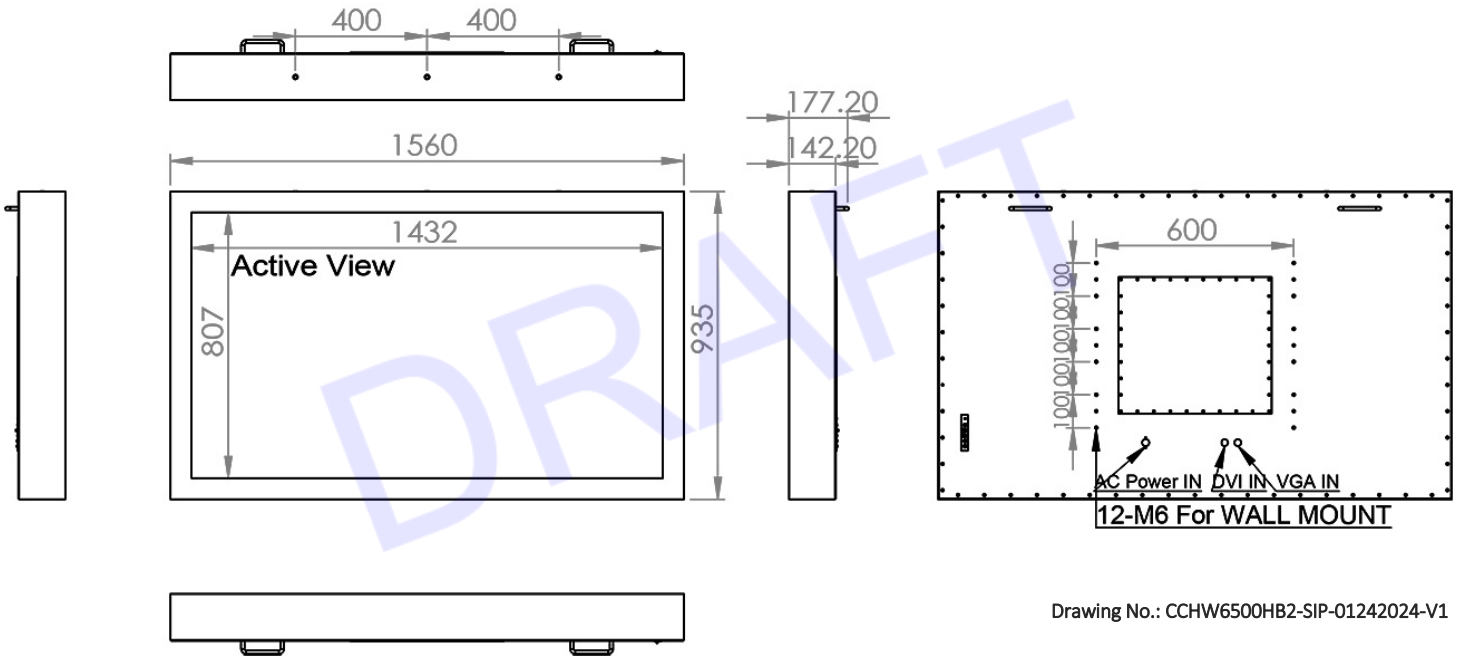
Display	Viewing Size Image	65"
	Active Display Area (mm)	1432 (H) x 807 (V)
	Pixel Pitch (mm)	0.744(H)x 0.744(V)
	Resolution	1920 x 1080
	Contrast Ratio	5000:1 (typ.)
	Color	1073.7M (10bits/color)
	Viewing Angle	-89~89 (H) ; -89~89 (V)
	Brightness	2500 cd/m2
	Recommended Resolution	1920 x 1080 @ 60Hz 10bit 1.07B
	Signal Connector	HDMI+VGA
Power	Source	AC100V~AC240V
	Consumption	248W typical, normal operation
	Management	VESA DPMS Compliant
Optional	Touch	Resistive, PCAP ,IR
	High Brightness	1000,1500
	Auto Dimming	YES
	POWER in	24V, 9~36V
	Remote Control	YES
	IO	Video: VGA + DVI Power: 12 VDC External power supply 100-240 VAC 50-60Hz included

Remark: This unit is designed to be installed under completed shaded area without direct sunlight. Not facing east and west

**Specifications subject to change without notice, not responsible for typographical errors.*

MECHANICAL DRAWING:

This is subject to change without Notice. Final Drawings Will be Provided for Approval after Order.



Drawing No.: CCHW6500HB2-SIP-01242024-V1