

INDUSTRIAL CHASSIS/WALL MOUNT IP65/NEMA 4

Front Water and dust Proof IP65/NEMA 4 with IP65 Solid Back housing except I/O.
Rear OSD Industrial Chassis/Wall Mount Heavy Duty Metal Housing , 46" LCD monitor, 1980 x 1080, 400 nits VGA, HDMI, DP, with Power 100-240 VAC 50-60Hz with US Power Cord+ Power on/off Switch + PCAP Touch (10 points) / Front IP65

Model: CCHW4600IP-PCAP

FEATURES:

- High Contrast color TFT LCD Monitor support resolution up to FULL HD (1920 x 1080)
- Power management system conforms to VESA DPMS and EPA Energy Star standards.
- Full consideration for touch screen installation and application.
- Universal Power adapter.
- Support DDC1 & DDC2B for Plug & Play compatibility.
- Advanced OSD control for picture quality adjustment.
- Detachable stand for wall-mounting application.
- Heavy duty Monitor with steel frame.
- Custom design by request.

SPECIFICATIONS:

Display	Viewing Size Image	46"
	Active Display Area (mm)	1023(H) x 578 (V)
	Pixel Pitch (mm)	0.53025(H)x0.53025(V)
	Resolution	1920 x 1080
	Contrast Ratio	4000:1 (typ.)
	Color	16.7M(8bits+color)
	Viewing Angle	-89~89 (H) ; -89~89 (V)
	Brightness	400 cd/m2
	Recommended Resolution	1920 x 1080 @ 60Hz
	Signal Connector	VGA + DVI + HDMI
Power	Source	100-240 VAC 50-60Hz with US Power Cord
	Consumption	125W typical, normal operation
	Management	VESA DPMS Compliant
Optional	Touch	Resistive, IR
	High Brightness	1000,1500
	Auto Dimming	YES
	POWER in	DC24V
	Remote Control	YES
	IO	AV,DP

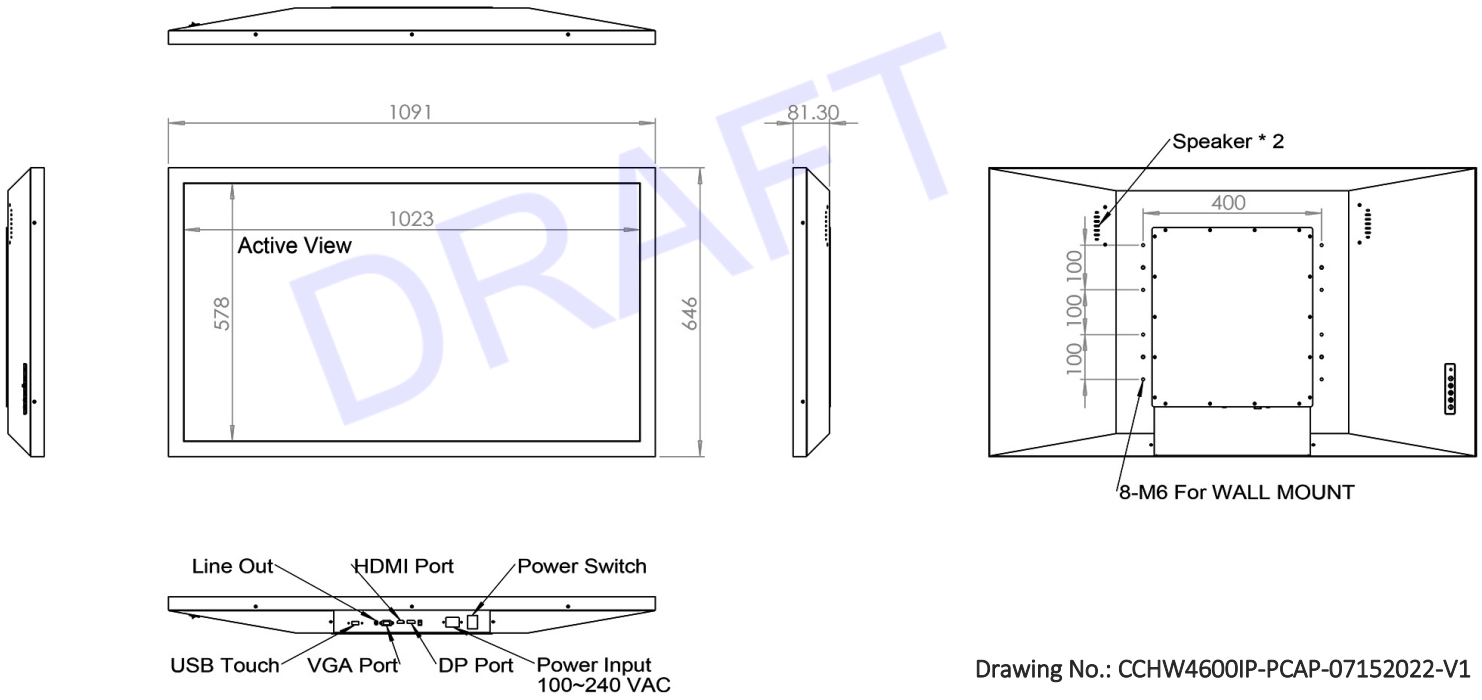
**Specifications subject to change without notice, not responsible for typographical errors.*

APPLICATIONS:



DRAWINGS:

This is subject to change without Notice. Final Drawings Will be Provided for Approval after Order.



Drawing No.: CCHW4600IP-PCAP-07152022-V1