

**RUGGED COMPLETELY SEALED FULL IP66/NEMA4X
STAINLESS STEEL CHASSIS/SURFACE MOUNT**



**46" High Brightness Industrial Panel / 1920x1080 / 1500nits,
Stainless 304 enclosure with Full IP65 / wall mount AR glass**
**Remark: This unit designed to be installed under completed shaded area
without direct sunlight. Not facing east and west**

Model: CCHW4600HB2-SIP-GS

FEATURES:

- High Contrast color LCD Monitor with resolution up to FULL HD (1920x1080)
- Completely Sealed FULL IP66/NEMA4X
- High Shock & Vibration Resistance
- Widely Application: Automation, Medical, Tourist, Transportation
- I/O (all connectors are waterproof connectors / 6ft long) : VGA, DVI, HDMI and 100-240VAC Power input
- Same Dimensions as GS4600HDL1 : 1104mmHx 636.5mmWx

SPECIFICATIONS:

DISPLAY	Viewing Size Image	46"
	Active Display Area (mm)	1021 (H) x 577.70 (V)
	Pixel Pitch (mm)	0.53025(H)x0.53025(V)
	Resolution	1920x1080
	Contrast Ratio	4000 : 1 (typ.)
	Color	16.7 M(8bits+colors)
	Brightness	1500nits
	Viewing Angle	-89~89 (H) ; -89~89 (V)
	Recommended Resolution	1920 x 1080 @ 60Hz
	Signal Connector	VGA, DVI, HDMI
POWER	Source	AC100V~AC240V
	Consumption	125W typical, normal operation
	Management	VESA DPMS Compliant
OPTIONAL	Touch	Resistive, PCAP,IR
	High Brightness	1000
	Auto Dimming	YES
	POWER in	DC24V
	Remote Control	YES
	IO	AV

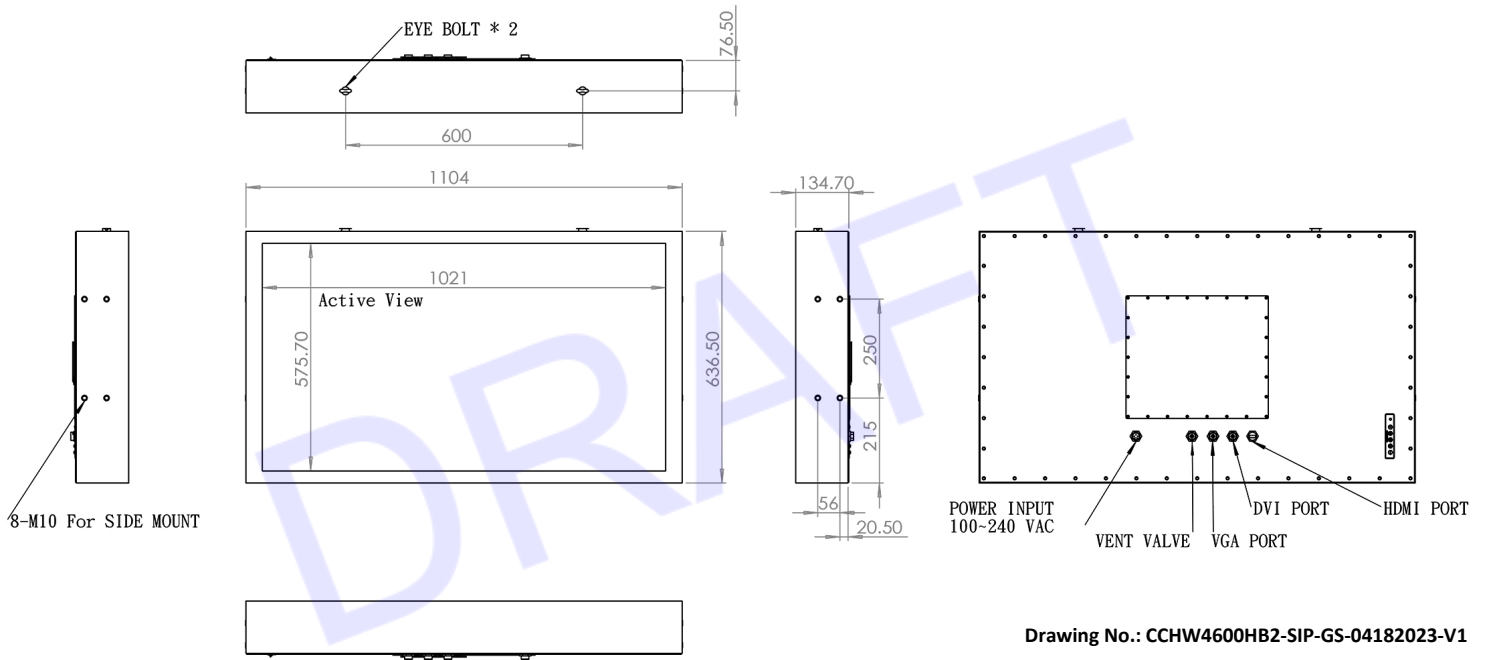
**Specifications subject to change without notice, not responsible for typographical errors.*

APPLICATIONS:



MECHANICAL DRAWING:

This is subject to change without Notice. Final Drawings Will be Provided for Approval after Order.



Drawing No.: CCHW4600HB2-SIP-GS-04182023-V1