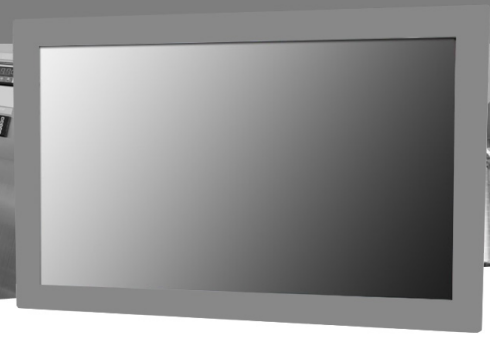


RUGGED COMPLETELY SEALED ALUMINUM ENCLOSURE FULL IP65

Rugged Completely Sealed Aluminum Enclosure with Full IP65 with light gray color Powder coating : RAL 7037, Chassis/Surface Mount, 43" Normal Brightness 450nits with internal 100~240V AC with US Power cord + adapters based on Default 3 set waterproof connectors Waterproof connectors & cables: HDMI,VGA & Power 6ft long only

**AR Coating Glass



MODEL: CCHW4300-AIP

USB INPUT IS OPTIONAL
FOR TOUCHSCREEN

FEATURES:

- High Contrast color TFT LCD Monitor support resolution up to Full HD (1920x 1080)
- Widely used in chemical industry, food industry, medical devices, appliances etc. with good corrosion resistance
- Full IP65
- Universal Power adapter.
- Support DDC1 & DDC2B for Plug & Play compatibility.
- Advanced OSD control for picture quality adjustment
- Aluminum Enclosure Powder Coating :

COLOR: RAL 7037
(Available in other colors)

SPECIFICATIONS:

Display	Viewing Size Image	43"
	Active Display Area (mm)	935 (H) x 528 (V)
	Pixel Pitch (mm)	0.4902(H)x 0.4902(V)
	Resolution	1920x1080
	Contrast Ratio	1100:1 (typ.)
	Color	16.7 M
	Brightness	450 cd/m
	Viewing Angle	-89~89 (H) ; -89~89 (V)
	Recommended Resolution	1920 x 1080 @ 60Hz
	Signal Connector	VGA, DVI

Power	Source	100~240V AC with US Power cord
	Consumption	49.28W typical, normal operation
	Management	VESA DPMS Compliant
	Touch	Optional
Optional	High Brightness	1000,1500
	Auto Dimming	YES
	POWER in	DC24V
	Remote Control	YES
IO		AV, HDMI, DP

*Specifications subject to change without notice, not responsible for typographical errors.

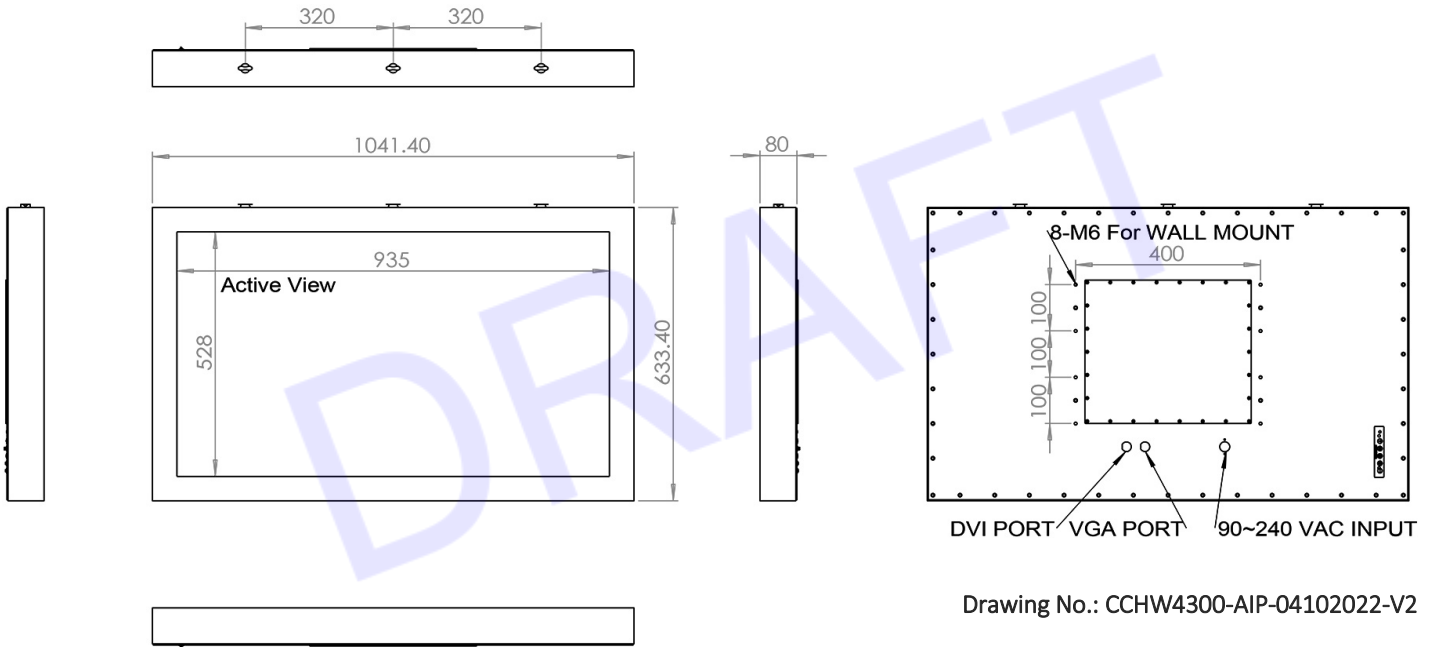
IP65 Waterproof connectors:



VGA Input DVI Input USB Input Power Input
(Option)

MECHANICAL DRAWING

This is subject to change without Notice. Final Drawings Will be Provided for Approval after Order.



Drawing No.: CCHW4300-AIP-04102022-V2