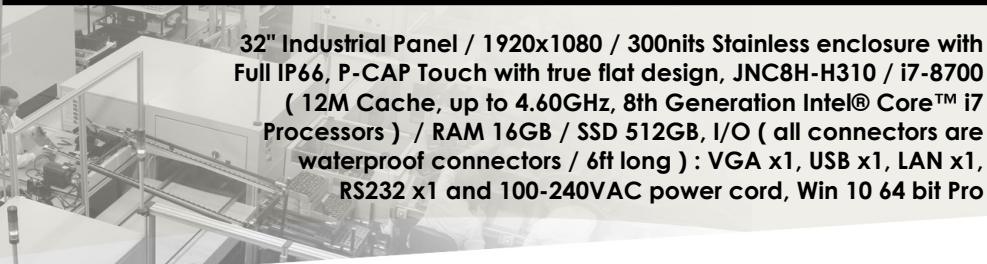


RUGGED COMPLETELY SEALED FULL IP66/NEMA4X STAINLESS STEEL CHASSIS/SURFACE MOUNT



32" Industrial Panel / 1920x1080 / 300nits Stainless enclosure with Full IP66, P-CAP Touch with true flat design, JNC8H-H310 / i7-8700 (12M Cache, up to 4.60GHz, 8th Generation Intel® Core™ i7 Processors) / RAM 16GB / SSD 512GB, I/O (all connectors are waterproof connectors / 6ft long) : VGA x1, USB x1, LAN x1, RS232 x1 and 100-240VAC power cord, Win 10 64 bit Pro

Model: CCHW3200-SIP-i7-PCT

FEATURES:

- High Contrast color LCD Monitor with resolution up to FULL HD (1920x1080)
- Stainless enclosure with Full IP66
- High Shock & Vibration Resistance
- JNC8H-H310 / i7-8700 (12M Cache, up to 4.60GHz, 8th Generation Intel® Core™ i7 Processors) / RAM 16GB / SSD 512GB
- P-CAP Touch with true flat design
- I/O (all connectors are waterproof connectors / 6ft long) : VGA x1, USB x1, LAN x1, RS232 x1 and 100-240VAC power cord
- Win 10 64 bit Pro
- Widely Application: Automation, Medical, Tourist, Transportation

SPECIFICATIONS:

Display	Viewing Size Image	32"
	Active Display Area (mm)	700.50 (H) x 394.80 (V)
	Pixel Pitch (mm)	0.3638(H)x 0.3638(V)
	Resolution	1920 x 1080
	Contrast Ratio	3000: 1 (typ.)
	Color	16.7 M(8bits+colors)
	Brightness	300 cd/m ²
	Viewing Angle	-89~89 (H) ; -89~89 (V)
	Recommended Resolution	1920 x 1080 @ 60Hz
Power	Source	AC100V~AC240V
	Consumption	75W typical, normal operation
	Management	VESA DPMS Compliant
Optional	Touch	Resistive, PCAP,IR
	High Brightness	1000,1500
	Auto Dimming	YES
	POWER in	DC24V
	Remote Control	YES
	IO	AV,HDMI,DP

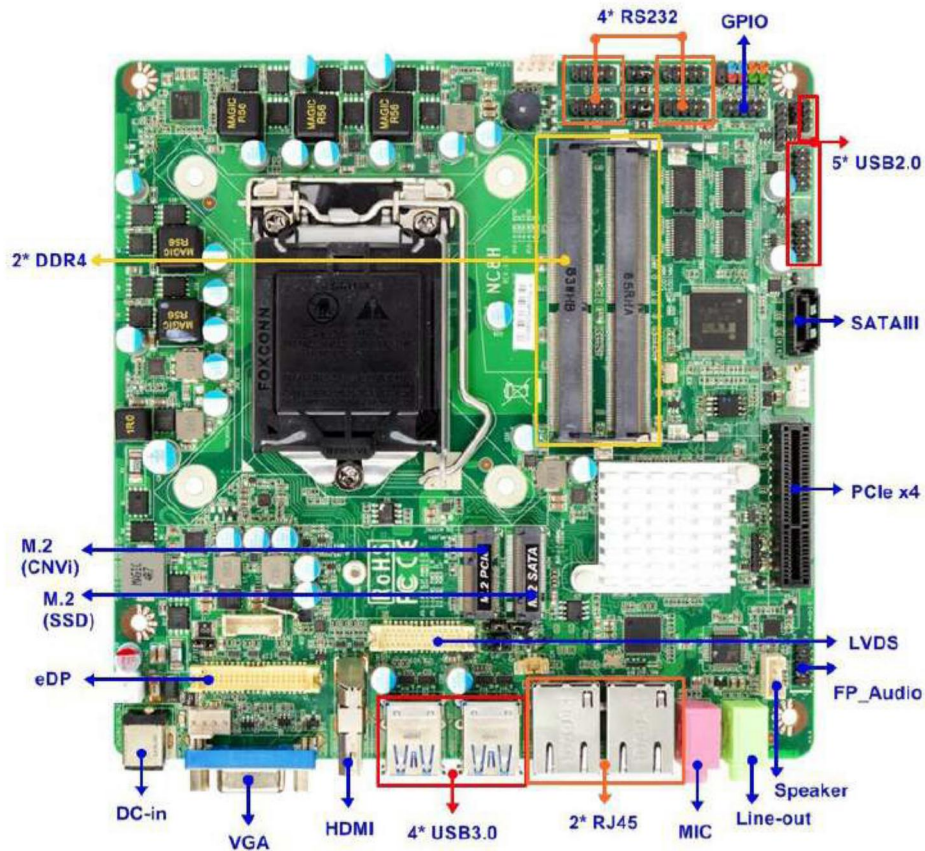
**Specifications subject to change without notice, not responsible for typographical errors.*

MOTHERBOARD SPECIFICATIONS:



- Intel LGA1151 Socket Core i3,i5,i7 Pentium Processor (Max 65W)
- Intel Coffee Lake-S H310 Chip support 9th CPU
- Support Single Channel DDR4 2133MHz, up to 64GB
- Realtek ALC662VD Audio
- 1* Intel® 1219-V + 1* Intel® i211AT GbE
- 1* SATAIII (6Gb/s) & M.2 (M key 2242)
- HDMI/VGA/EDP (CO-lay LVDS) Output
- 4* RS232 (COM1/2 Support 5V/12V TTL), 4* External USB3.0, 5* Internal USB2.0
- 1* PCIe x4 Slot, 1* M.2 E key Support CNVi
- DC 12~24V Input
- Thin MINI ITX Form Factor (170 *170 mm)

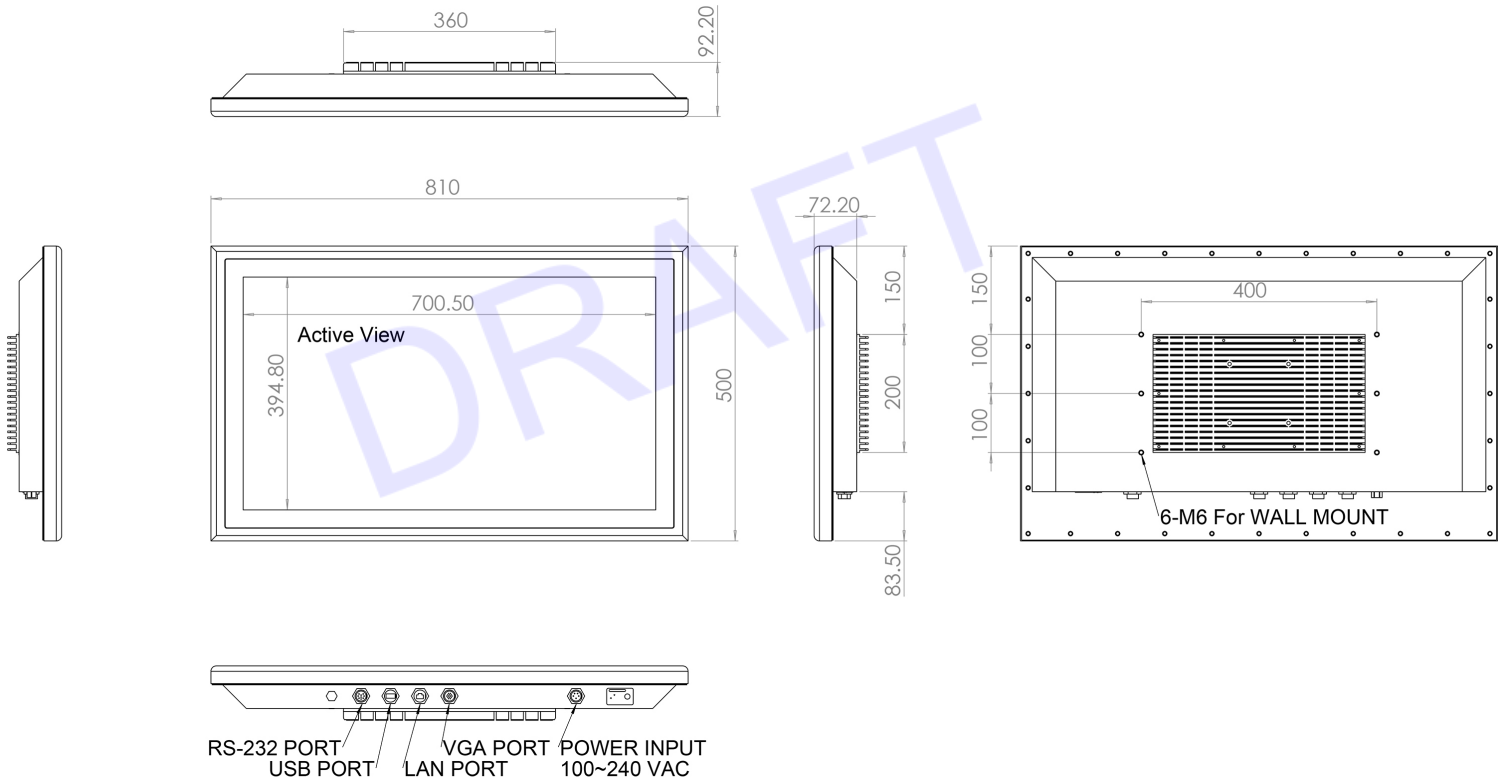
INTERNAL DIAGRAM



Form Factor	
Dimensions	- Thin Mini ITX (170 * 170mm)
Processor System	
CPU	- Intel LGA1151 Series Processor (Max. 65W)
Core Number	- by CPU
Max Speed	- by CPU
L2 Cache	- by CPU
Chipset	-H310
BIOS	-AMI 128M Flash ROM
Expansion Slot	
M.2	-1 (E key 2230,Support CNVi)
SATA	-1
PCI-e	-1 * PCI-E x4 slot
Memory	
Technology	- Single channel DDR4 2133MHz DRAM
Max.	-64GB
Socket	-2*S O-DIMM
Graphics	
Controller	- Intel® HD Graphics
VRAM	- Shared Memory
VGA	-1 (Max. Resolution: 1920x1200@60Hz)
LVDS	-1 (Co-lay eDP, Max. Resolution: 1920x1080@60Hz)
eDP1.3	-1 (Co-lay LVDS, Max. Resolution: 4096x2304@60Hz)
HDMI 1.4	-1 (Max Resolution : 4096x2160@30Hz)
Multi Display	- Dual Display
Ethernet	
Ethernet	-10/100/1000 Mbps
Controller	- Intel® I219-V + i211AT Gigabit LAN
Connector	- 2* RJ 45
Audio	
CODEC	- HD Audio : Realtek ALC662VD
Channel	- Line-Out, MIC
SATA	
Max Data Transfer Rate	-1* SATAN III (6.0Gb/s)
Rear I/O	
VGA	-1
HDMI	-1
Ethernet	-2
USB	- 4 * USB 3.0
Audio	-1 (Line-out, MIC)
DC-input	-1
Internal Connector	
USB	-5 (USB 2.0)
PS/2	-1
LVDS / inverter	-1 (Co-lay eDP)
eDP	-1
Serial	- 4 (COM1/2 Support 5V/12V TTL)
SATA	-1* SATAN III (6.0Gb/s)
M.2	- 2 (M key + E key)
GPIO	-1 (8 bit)
Chassis intrusion	-1
Audio Header	-1
SMBUS/I2C	-1
AT mode	-1
Watchdog Timer	
Output	- From Super I/O to drag RESETCON#
Interval	- 256 segments (IOsec ~ 255min)
Power Requirements	
Input PWR	-12 ~ 24V DC-in
Power On	AT/ATX Supported - AT : Directly PWR on as Power input ready - ATX: Press Button to PWR on after Power input ready
Certifications	
Certifications	- CE, FCC, RoHS, REACH
Environment	
Temperature	- Operating: 0°C~60°C - Storage: -20°C~85°C
Warranty	
Warranty	- 2 Years Limited Warranty
Packing	
Packing	- Net Weight: - Gross Weight: - Color Box dimension: 362*290.5*65mm

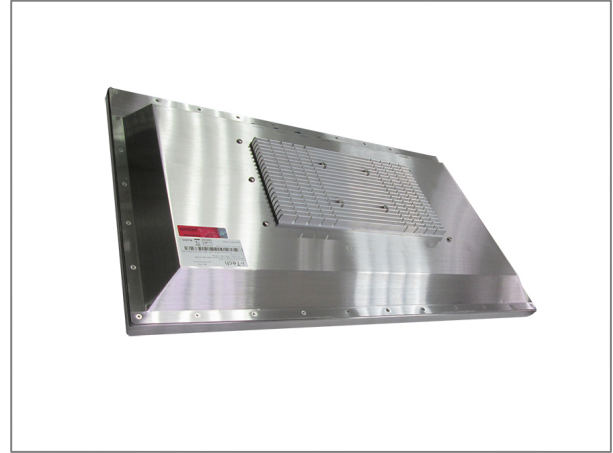
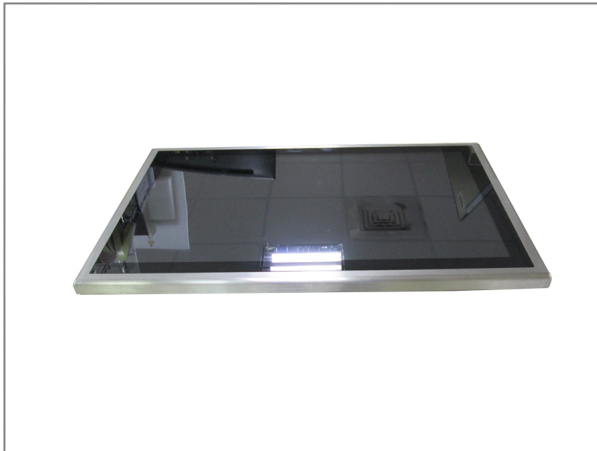
MECHANICAL DRAWING:

This is subject to change without Notice. Final Drawings Will be Provided for Approval after Order.

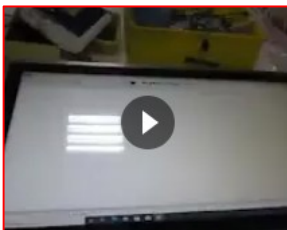


Drawing No.: CCHW3200-SIP-i7-PCT-07112022-V1

ACTUAL PICTURES:



Touch TEST



Click image to Watch