



32" Industrial Panel / 3840x2160 / 350nits / True Flat Design
 VESA mount (200x200mm) / P-CAP Touch / Front IP65 / Speakers
 I/O : VGA, DVI, HDMI, DP, USB (for Touch use) and 100-240VAC power cord

Model: CCHW3200-4K-FPCT

FEATURES:

- High Contrast color TFT LCD Monitor support resolution up to 3840 x2160
- Modern & Customized Design
- Best sensitivity multi-touch: Projected Capacitive Touch
- High Shock & Vibration Resistance
- Widely Application: Automation, Medical Tourist Education...

SPECIFICATIONS:

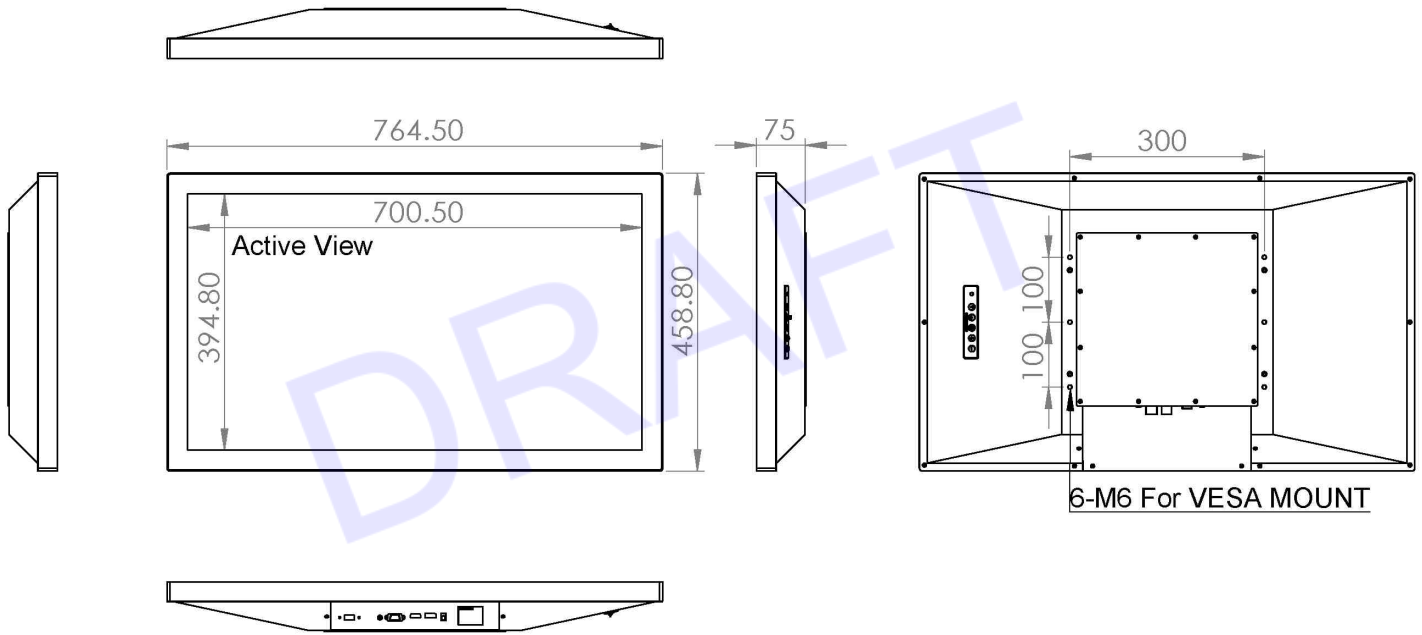
Display	Viewing Size Image	32"
	Active Display Area (mm)	700.50 (H) x 394.80 (V)
	Pixel Pitch (mm)	0.3637 (H) x 0.3637 (V)
	Resolution	3840 x 2160
	Contrast Ratio	1350 : 1 (typ.)
	Color	1.07B
	Brightness	350nits
	Viewing Angle	-89~89 (H) ; -89~89 (V)
	Recommended Resolution	3840 x 2160@60Hz
Signal Connector	VGA, DVI, HDMI	

Power	Source	100 ~ 240VAC power cord
	Consumption	118W Max.
	Management	VESA DPMS Compliant
Options	Touch	PCAP, AR glass
	High Brightness	YES
	Remote Control	YES
	Power in	DC24V, DC9V-36V
	IO	AV, DP
	Auto Dimming	YES

**Specifications subject to change without notice, not responsible for typographical errors.*

MECHANICAL DRAWING:

This is subject to change without Notice. Final Drawings Will be Provided for Approval after Order.



Drawing No.: CCHW3200-4K-FPCT-06022023-V1