

# RUGGED COMPLETELY SEALED FULL IP66/NEMA4X STAINLESS STEEL ENCLOSURES



27" Industrial Panel / 1920x1080 / 250nits, Stainless Enclosures  
Full IP66 P-CAP Touch with True Flat design

**Model: CCHW2700-SIP-i5-PCT-V1**

## FEATURES:

- High Contrast color LCD Monitor with resolution up to FULL HD (1920x1080)
- Completely Sealed FULL IP66/NEMA4X
- High Shock & Vibration Resistance
- JNC8H-H310 / i5-8500 ( 9M Cache, up to 4.10GHz, 8th Generation Intel Core i5 Processor ) / RAM 8GB / HDD 1TB
- I/O ( all connectors are waterproof connectors / 6ft long ) :  
VGA x1, RS232 x1, USB x2, Audio x1, LAN x1 and 100-240VAC power adapter
- Win 11 64bit Pro

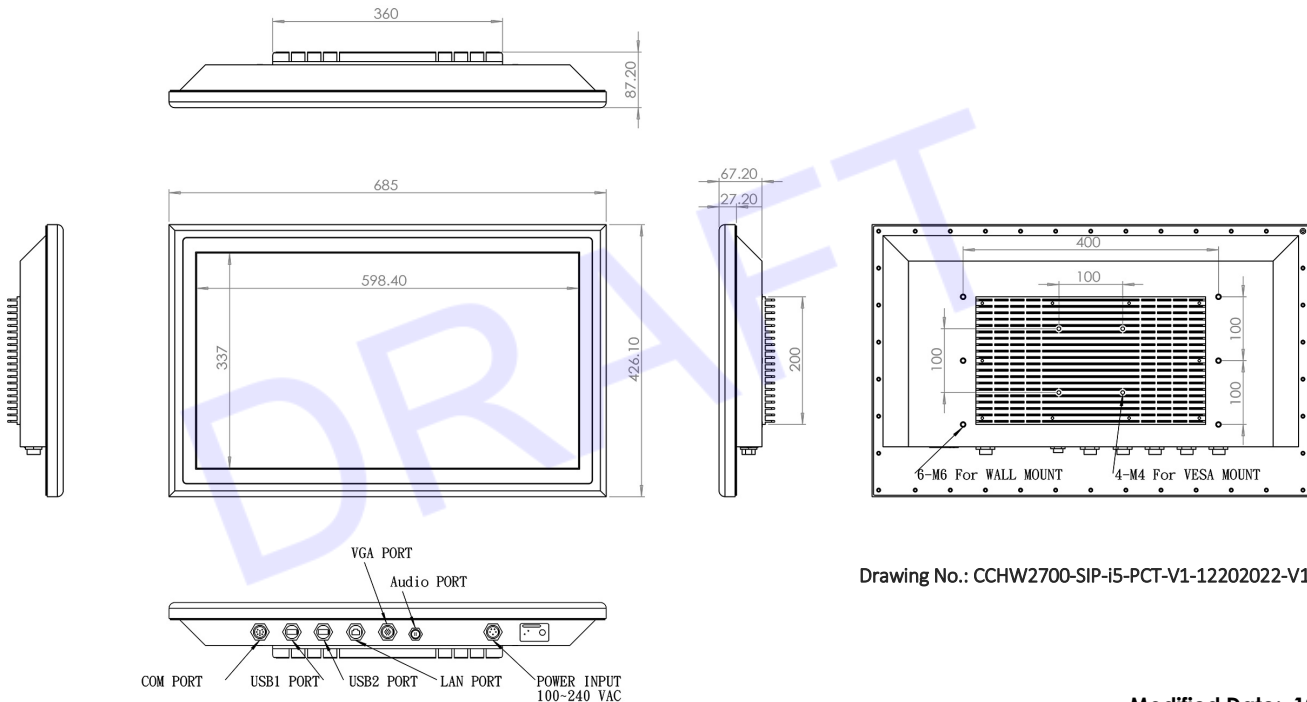
## SPECIFICATIONS:

Display	Viewing Size Image	27"
	Active Display Area (mm)	598.40 (H) x 337 (V)
	Pixel Pitch (mm)	0.3114 (H) x 0.3114 (V)
	Resolution	1920 x 1080
	Contrast Ratio	1200 : 1 (typ.)
	Color	16.7 M
	Viewing Angle	-89~89 (H) ; -89~89 (V)
	Brightness	250 cd/m2
	Recommended Resolution	1920 x 1080 @ 60Hz
	Power	Source
Management		VESA DPMS Compliant
Optional	Touch	PCAP,IR
	High Brightness	1000
	Auto Dimming	YES
	POWER in	DC24V, DC9V~36V
	Remote Control	YES

*\*Specifications subject to change without notice, not responsible for typographical errors.*

## MECHANICAL DRAWING:

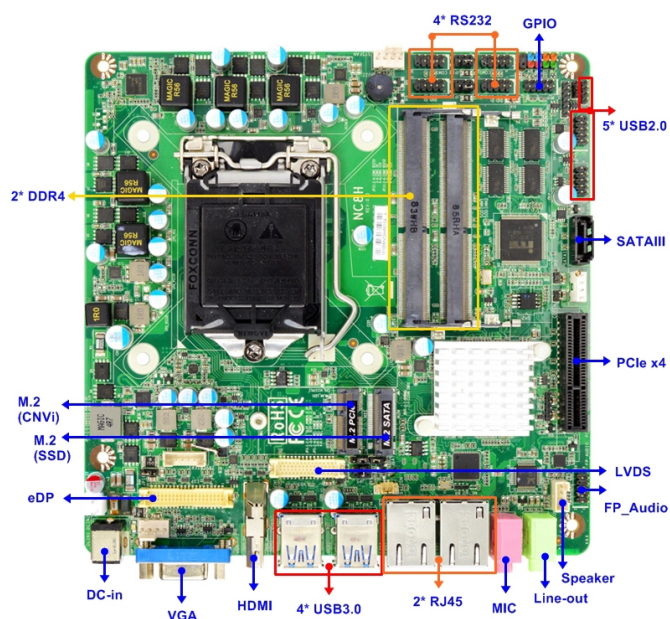
*This is subject to change without Notice. Final Drawings Will be Provided for Approval after Order.*



Drawing No.: CCHW2700-SIP-i5-PCT-V1-12202022-V1

Modified Date: 12-20-2022

## MODEL: JNC8H-H310



### FEATURES:

- Intel LGA1151 Socket Core I3,I5,I7 Pentium Processor (Max. 65W)
- Intel Coffee Lake-S H310 Chip
- Support Single Channel DDR4 2133MHz, up to 64GB
- 1\* Intel I219-V + 1\* Intel i211AT GbE
- 1\* SATAIII (6Gb/s), 1\* M.2 (M key 2242), 1\* M.2 E key Support CNVi, 1\* PCIe x4 Slot
- HDMI/VGA /EDP (CO-lay LVDS) Output
- 4\* RS232 (COM1/2 Support 5V/12V TTL), 4\* External USB3.0, 5\* Internal USB2.0
- Support Wide Voltage 12~24V DC-in
- Thin MINI ITX Form Factor (170 \*170 mm)

### SPECIFICATIONS:

Model	JNC8H-H310
<b>Form Factor</b>	
Dimensions	Thin Mini ITX ( 170 * 170mm)
<b>Processor System</b>	
CPU	Intel LGA1151 Series Processor (Max. 65W)
Core Number	(By CPU)
Max Speed	(By CPU)
L2 Cache	(By CPU)
Chipset	H310
BIOS	AMI 128M Flash ROM
<b>Expansion Slot</b>	
M.2	1* E key 2230,Support CNVi 1* M Key 2242
SATA	1
PCIe	1 (PCIe x4 slot)
<b>Memory</b>	
Technology	Single channel DDR4 2133MHz DRAM
Max.	64GB
Socket	2 * SO-DIMM

<b>Graphics</b>	
Controller	Intel HD Graphics
VRAM	Shared Memory
VGA	1 (Max. Resolution: 1920×1200@60Hz)
LVDS	1 (Co-lay eDP, Max. Resolution: 1920×1080@60Hz)
eDP 1.3	1 (Co-lay LVDS, Max. Resolution: 4096×2304@60Hz)
HDMI 1.4	1 (Max. Resolution : 4096×2160@30Hz)
Multi Display	Dual Display
<b>Ethernet</b>	
Ethernet	10/100/1000 Mbps
Controller	Intel I219-V + i211AT Gigabit LAN
Connector	2* RJ 45
<b>Audio</b>	
CODEC	HD Audio: Realtek ALC662VD
Channel	Line-Out, MIC
<b>SATA</b>	
Max Data Transfer Rate	1* SATAIII (6.0Gb/s)
<b>Rear I/O</b>	
VGA	1
HDMI	1
Ethernet	2
USB	4* USB 3.0
Audio	1 (Line-out, MIC)
DC-input	1
<b>Internal Connector</b>	
USB	5 (USB 2.0)
PS/2	1
LVDS / inverter	1 (Co-lay eDP )
eDP	1
Serial	4 (COM1/2 Support 5V/12V TTL)
SATA	1* SATAIII (6.0Gb/s)
M.2	2 (M key + E key)
GPIO	1 (8 bit)
Chassis intrusion	1
Audio Header	1
SMBUS/ I2C	1
AT mode	1
<b>Watchdog Timer</b>	
Output	From Super I/O to drag RESETCON#
Interval	256 segments (10sec ~ 255min)
<b>Power Requirements</b>	
Input PWR	12 ~ 24V DC-in
Power On	AT/ATX Supported AT : Directly PWR on as Power input ready ATX: Press Button to PWR on after Power input ready
<b>Certifications</b>	
Certifications	CE, FCC, RoHS, REACH
<b>Environment</b>	
Temperature	Operating: 0°C ~ 60°C Storage: -20°C ~ 85°C
<b>Warranty</b>	
Warranty	2 Years Limited Warranty