

ALL IN ONE PC WIDESCREEN DISPLAY CHASSIS MOUNT

43" LCD Monitor, 1920x1080, 380nits, GIGABYTE Motherboard
GiGAIPC iTXL-5105A, Celeron N5105 Processor up to 2.9GHz
8G DDR4 2666M Hz, SSD 480GB of Storage.

PC SWOP Features.
Included Low profile Wall Mount Bracket.

MODEL: BCPCW4300HD-XL

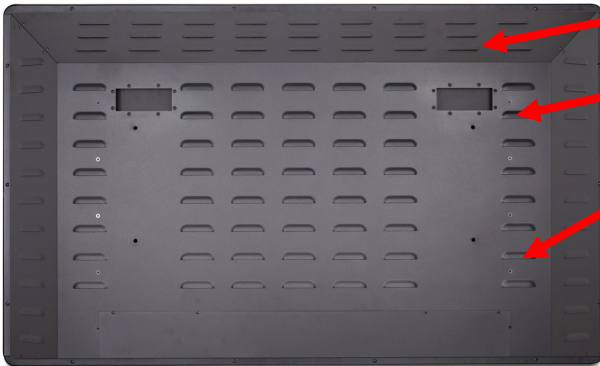


Optical Multi Touch Provide Best Clarity of image with Protective Front Glass

Metal Chassis Housing with built in speakers

IR Remote Sensor

Auto Power On/Off and Auto Signal On/Off



Perforated rear Cover provide ample ventilation

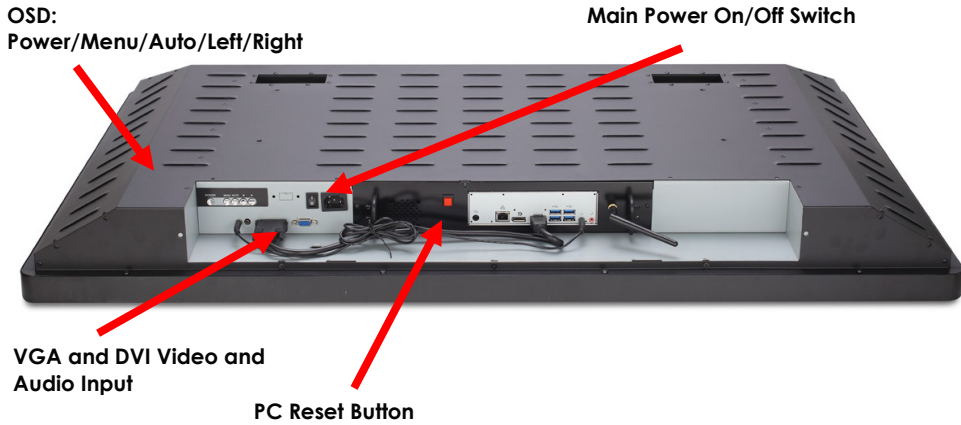
Recess handle can easily handle and install (42" and above)

VESA Mount for Surface Mount



SWOP PC Tray for easy service and upgrade hard drive.

Large Handle for Easy Grip



SPECIFICATIONS

LCD SPECIFICATIONS	
Viewable Size Image	43"(16:9)
Active Display Area(mm)	940.9(w) x 529.3(H)
Number of Pixels	1920 x 1080
Contrast Ratio	4000 : 1
Display Color	16.7 million
Brightness(cd/m)	380 Nits
Viewing Angle	R/L178° x U/D178°
Recommended Resolution	1920 x 1080
Response time	6.5 ms
Life time	30,000/hr
Signal Input	1 x VGA,1 x DVI
Signal Output	2 x HDMI

MECHANICAL	
Operating Temp.	0°~50°C
Humidity	20~80% RH
Store Temp.	-20°~55°C
Dimensions(mm)	1012(L)x606(W)x117(D)
Wall Mount(LxW/mm)	600(L) x 200(W)
Color	Black

ACCESSORIES	
DVI to HDMI Wire	
3.5" Audio Wire x 1	
Power Core x 1 and i/o empty cover x 1	

POWER	
Power Input	AC 100 TO 240 VAC 60/50 Hz
Power Consumption	95 W ref.

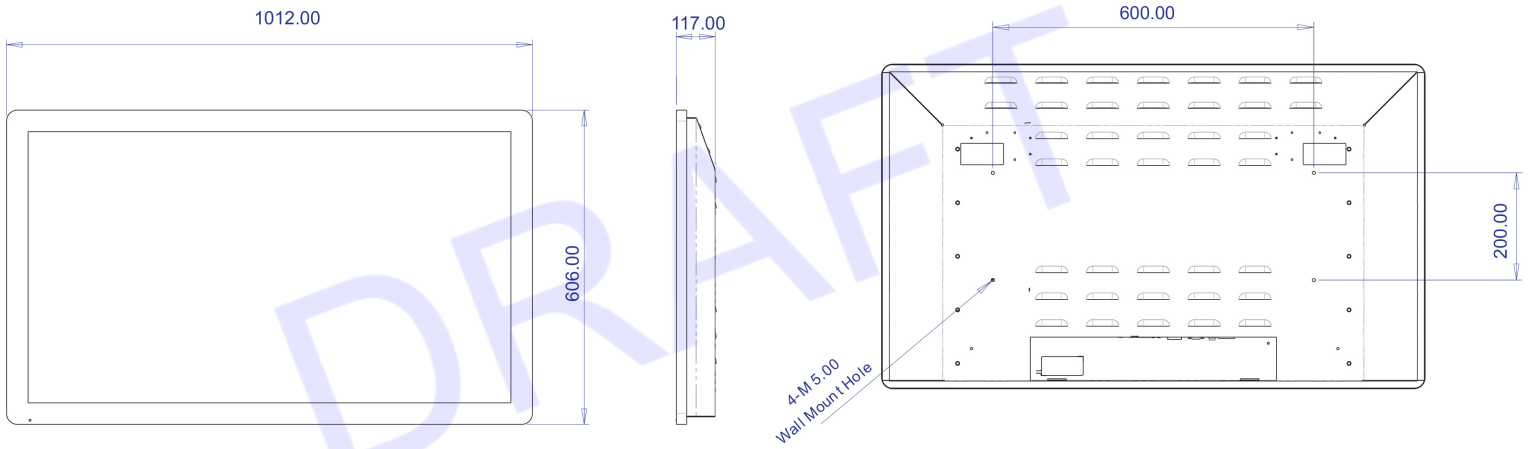
SYSTEM SPECIFICATIONS	
CPU	Intel Core Celeron N 5105
Mother Board	iTXL-5105A
RAM	8G DDR4 2666M Hz
Storage	480GB SSD
USB Port	6 x USB 2.0 Port
PC Audio output	Realtek ALC897 audio codec
Speaker Output	2 x 5 w internal speaker
LAN Port	2 x RJ-45 10/100/1000 (Mbit)
WIFI	IEEE 802.11b/g/n (option)
Touch Screen	Infrared Touch 10 points (Options)

INFRATED TOUCH (Options)	
Windows 11 and MAC OS X, Linux, Android etc. Support panels of flat type for LCD.	
Touch Points	10 points touch. (Options)
Operating Temp.	-20°C ~ 60°C.
Operating Hum.	10%~90% RH
Storage Temp.	-40°C ~ 85°C
Touch Activation Force	No pressure required.
Touch Accuracy	± 2mm on more than 95% touch area.
Response time	First click<16ms, Repeated click<6ms.
Light-proof Capacity	Resisting lights from all angles
Input Method	Fingers, stylus, gloves or any other opaque material medium.
Hohs' hardness rating	7
Break Resistance	3mm Heat Tempered Glass. Meets UL-1950 Steel Ball Drop Test.
Light Transmission >92%.	(per ASTM D1003)

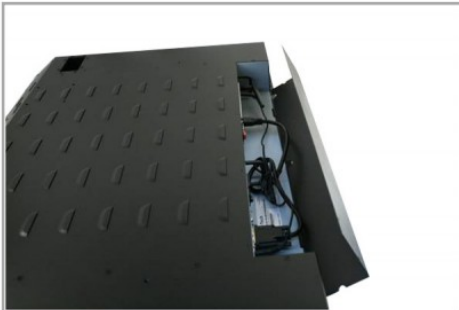
*Specifications subject to change without notice, not responsible for typographical errors.

MECHANICAL DRAWINGS

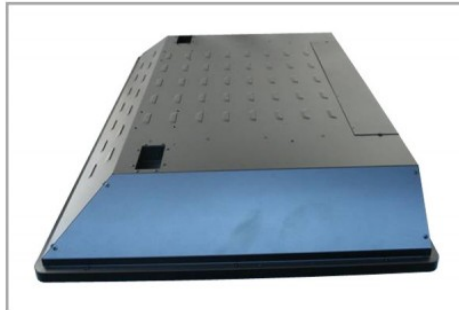
This is subject to change without Notice. Final Drawings Will be Provided for Approval after Order.



Drawing No.: BCPCW4300HD-XL-02262024-V1



COVER I/O PLATE (Open)



COVER I/O PLATE (Closed)



LOW PROFILE WALLMOUNT BRACKET