

OPEN FRAME Table PC

10.1" Open Frame Tablet, Intel Celeron J3455

4GB RAM, 32GB eMMC, PCAP, DC12~24V

Ubuntu 20.04



Model: VOPC1010-Ubuntu-V3

Features:

- Intel Celeron Processor J3455
- 4GB RAM
- 32GB eMMC
- Projective Capacitive Touch
- 10/100/1000 Ethernet
- M.2 B-Key(3042) connector socket
- 802.11 a/b/g/n/ac Wireless LAN
- Windows 10 supported
- DC 12~24V Input

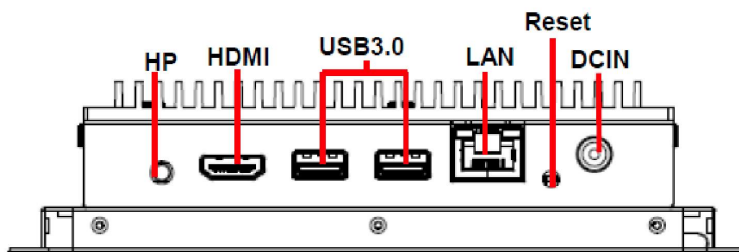
Specifications:

SYSTEM INFORMATION	
Processor	Intel Celeron J3455 Quad Core CPU 1.50 GHz
System Memory	DDR3L 1866 4GB RAM SO-DIMM
STORAGE	
Storage	32GB eMMC on board
PANEL	
LCD Size	10.1"
LCD Panel	TFT LCD
Display Type	WXGA
Resolution	800x1280_
Pixel pitch	0.1692(H)X0.1692(V) mm
Luminance	350 cd/m ²
Contrast ratio	1000
Viewing angle	80 (U), 80 (D), 80 (L), 80 (R)
Response time	25ms
Backlight	LED
Touch Type	Projective Capacitive
Touch Light Transmission	86%
I/O	
External I/O Connector	1 x Power jack
Internal I/O Connector	2 x USB 3.0 Type A
	1 x Headphone Jack
	1 x Power button
	1 x Micro USB
	1 x USB interface , 1 x DMIC interface
	1 x I2C touch interface
	1 x M.2 B-Key(3042)
	1 x touch button control(power/vol/brightness)
	1 x Power interface (12~24V)
	1 x AMIC interface
	1 x Speaker interface
	1 x JSEN1 interface (I2C x2)
	1 x RS232 (Tx/Rx/Rts/Cts) interface
	1 x RS232 (Tx/Rx/Rts/Cts) , RS485 (Tx/Rx/Rts/Cts)
	1 x JGPIO1 (GPIO 16bit)
	1 x RTC Battery interface
1 x Micro SIM Card socket for LTE module	
1 x Micro SD slot	
WIRELESS COMMUNICATION	
WLAN	802.11 a/b/g/n/ac
DISPLAY	
Multiple Display	MIPI + HDMI
CERTIFICATIONS	
Certification Information	CE, FCC Class A

*Specifications subject to change without notice, not responsible for typographical errors.

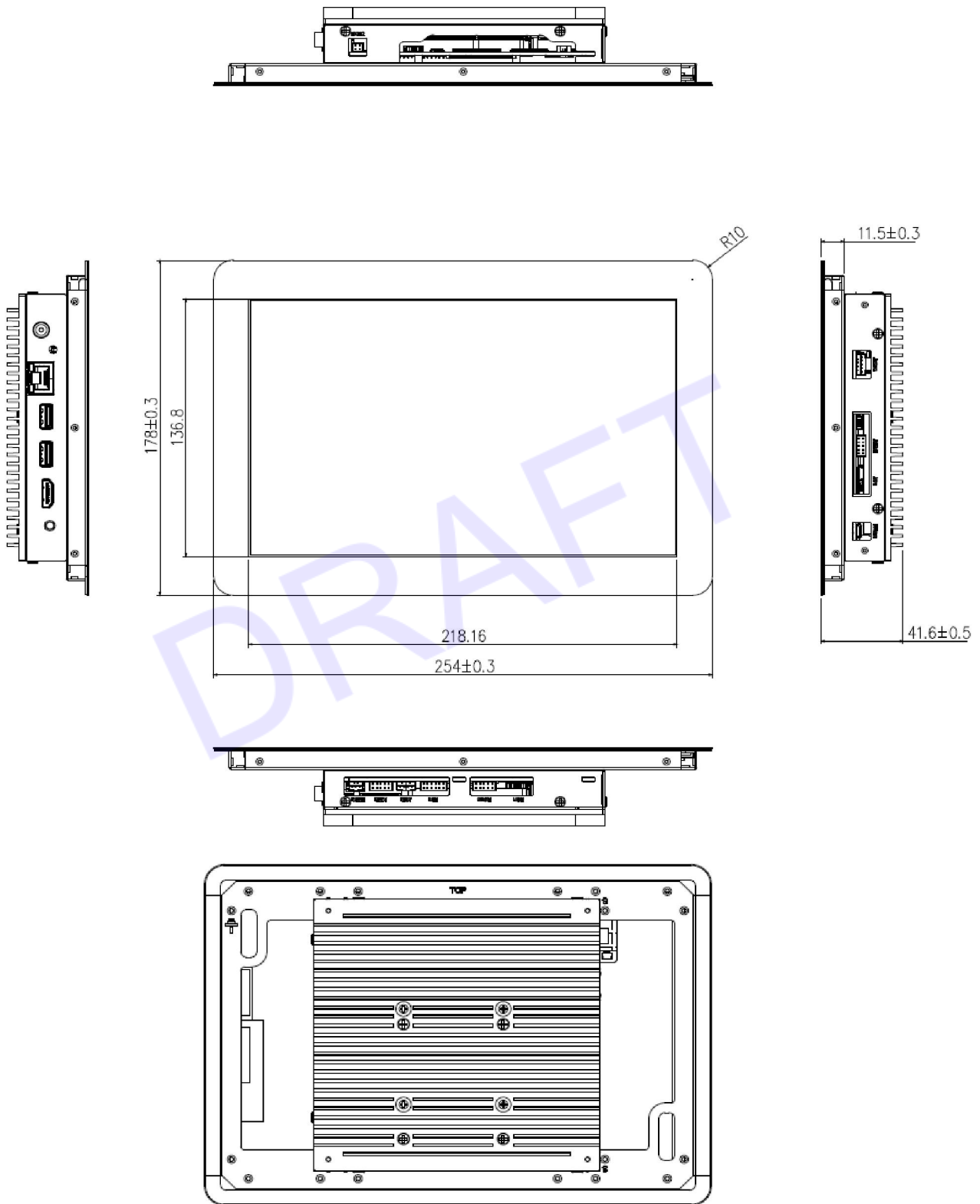
Modified Date: 10-17-2023

MECHANICAL & ENVIRONMENT	
Operating Temperature	0°C ~ 40°C
Storage Temperature	-20°C - 60°C
Operating Humidity	40°C @ 95% Relative Humidity, Non-condensing
Dimension (W x L x H)	254 x 178 x 41.6mm
Weight	1.3kg
Power Requirement	DC 12~24V Input
Power Mode	DC Jack, DC input 4pin header
SOFTWARE SUPPORT	
OS Information	2019 Windows 10(64 bit)



Connectors		
Label	Function	Note
HP	Audio line-out connector	
HDMI	HDMI connector	
USB	2 x USB 3.0 connector	
LAN	RJ-45 Ethernet	
Reset	Reset button	
DCIN	DC power-in connector	

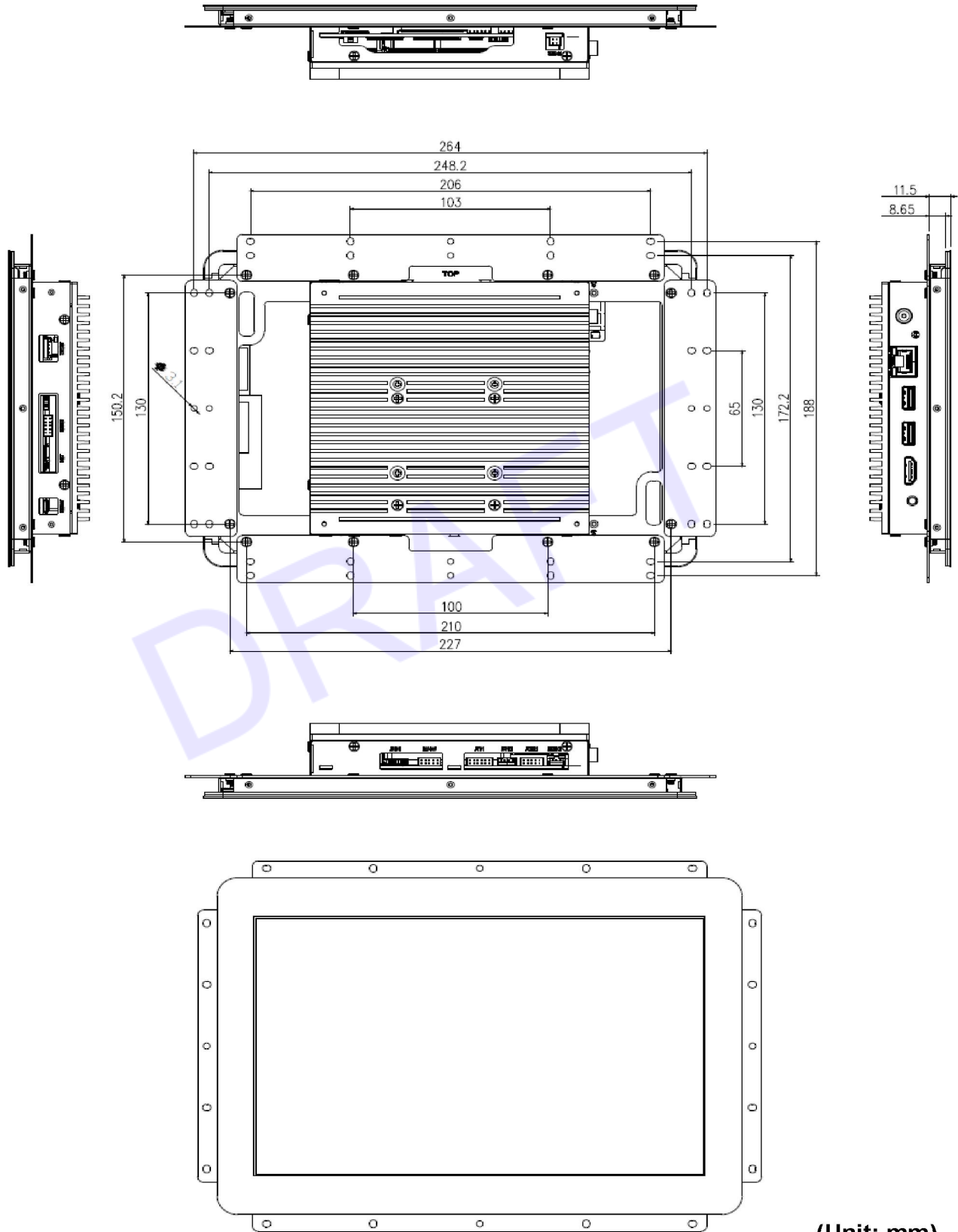
Dimensions: Front and Rear Side



(Unit: mm)

Drawing No.: VOPC1010-Ubuntu-V3-10172023-V2

Dimensions: Front and Rear side (With Extend Bracket)



(Unit: mm)

Drawing No.: VOPC1010-Ubuntu-V3-10172023-V2-2

Flush Mounting Concept

