

# OPEN FRAME Table PC

7" Open Frame Tablet, Intel Atom Z8350  
2GB RAM, 32GB eMMC, PCAP, DC12~24V  
Ubuntu 19.04



**Model: VOPC0700-Ubuntu-V3**

## Features

- Intel Atom Quad Core Z8350 1.44GHz
- 2GB RAM
- 32GB
- PCAP touch
- 10/100 Ethernet
- M.2 B-Key(3042) slot
- 802.11 b/g/n/ac WIFI
- Support Windows 10 / Ubuntu OS
- DC12~24V input

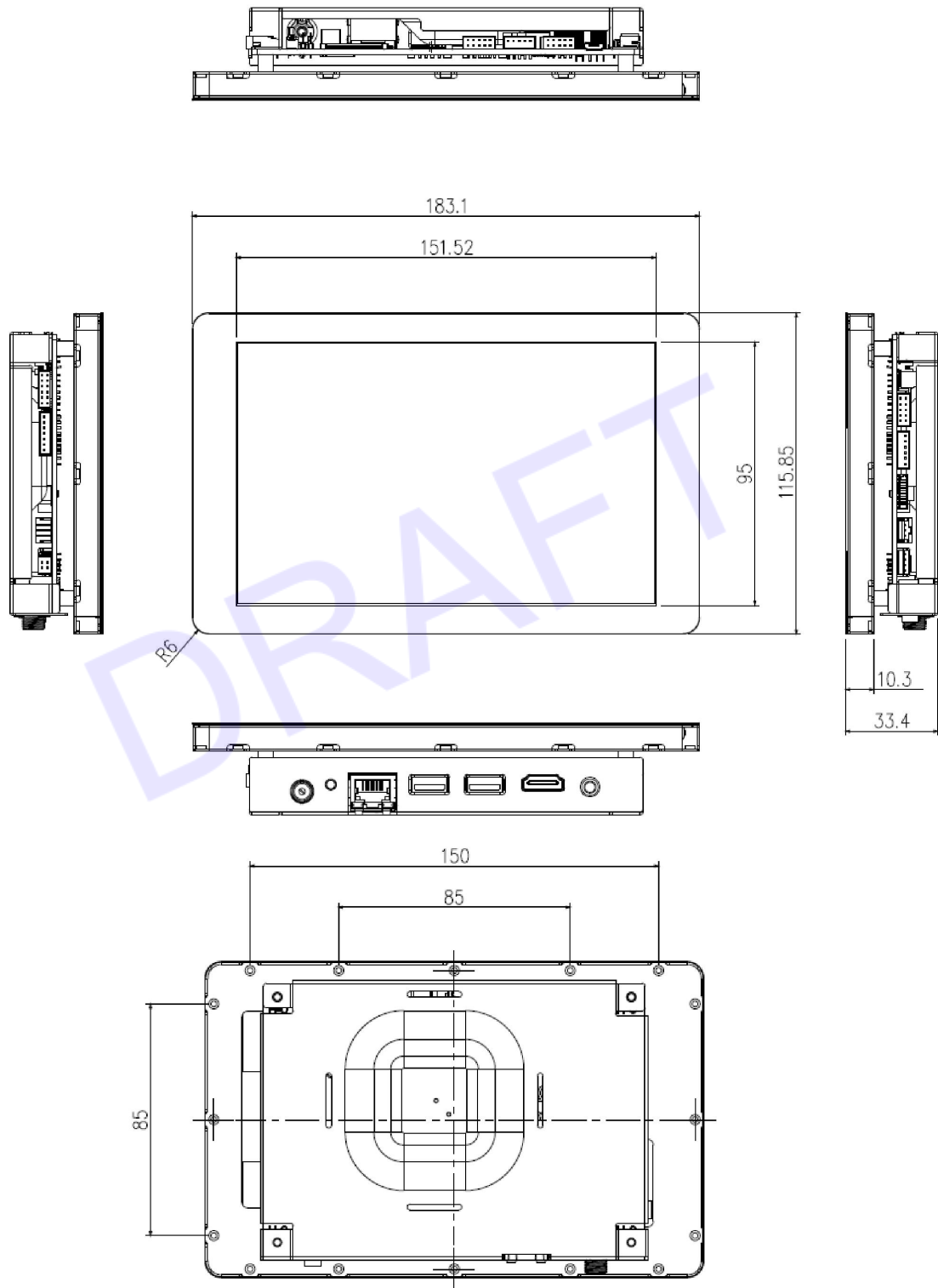
## Specifications:

<b>Processor</b>	Intel Atom x5-8350 Quad Core CPU 1.44 GHz, up to 1.92 GHz
System Memory	2GB DDR3L RAM on board
<b>Storage</b>	
Storage	32GB eMMC on board
<b>Panel</b>	
LCD Size	7"
LCD Panel	TFT LCD
Resolution	800x1280
Pixel pitch	0.03925(H) x 0.11775(V)
Luminance	300 cd/m <sup>2</sup>
Contrast ratio	900
Viewing angle	89 (U), 89 (D), 89 (L), 89 (R)
Response time	30ms
Backlight	LED
Touch Type	Projective Capacitive
Touch Light Transmission	86%

I/O	
<b>External I/O Connector</b>	1 x power jack 1 x HDMI 1 x USB 2.0 Type A 1 x USB 3.0 Type A 1 x RJ45 1 x Headphone Jack 1 x Reset button
<b>Internal I/O Connector</b>	1 x Micro USB 1 x USB interface , 1 x DMIC interface 1 x USB touch interface 1 x M.2 B-Key(3042) 1 x touch button control(power/vol/brightness) 1 x Power interface (12~24V) 1 x JLVDS1 1 x AMIC interface 1 x Speaker interface 1 x JSEN1 interface (I2C x2) 1 x JTP1 interface (I2C) 1 x Debug port(Tx/Rx) 1 x RS232(Tx/Rx/Rts/Cts) interface 1 x RS232(Tx/Rx/Rts/Cts) , RS485(Tx/Rx/Rts/Cts) 1 x JGPIO1 (GPIO 16bit) 1 x RTC Battery interface 1 x Micro SIM Card socket for LTE module 1 x Micro SD slot
Wireless communication	
WLAN	802.11 a/b/g/n/ac
<b>Display</b>	
Multi Display	LVDS + HDMI
<b>Certifications</b>	
Certification Information	CE, FCC Class A
<b>Mechanical and Environment</b>	
Operating Temperature	0°C ~ 40°C
Storage Temperature	-20°C - 60°C
Operating Humidity	40°C @ 95% Relative Humidity, Non-condensing
Dimension (W x L x H)	183.1 x 115.85 x 33.4mm
Weight	0.5 kg
Power Requirement	DC 12~24V Input
Power Mode	DC Jack, DC input 4pin header
Operating Temperature	0°C ~ 40°C
<b>Software Support</b>	
Os Information	Ubuntu 19.04(64 bit)

*\*Specifications subject to change without notice, not responsible for typographical errors.*

# Dimensions: Front and Rear Side



(Unit: mm)

Drawing No.: VOPC0700-Ubuntu-V3-07282023-V1

# Flush Mounting Concept

