

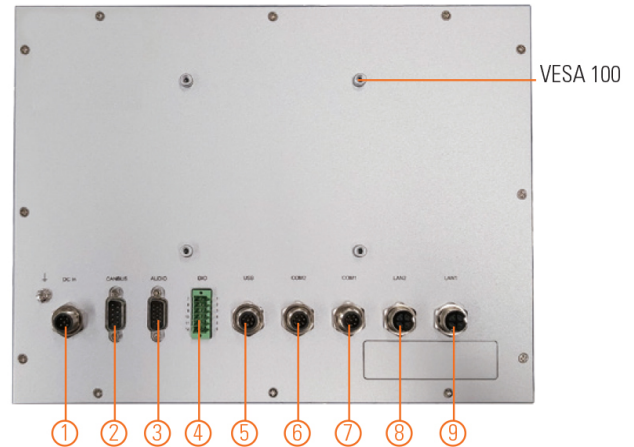
EN50155 S3 12.1" XGA TFT LCD Railway Fanless Touchscreen
Panel PC with Intel Atom Processor E3845 1.91 GHz (-40°C to +70°C)



MODEL: AO1210-AT-EN5

FEATURES

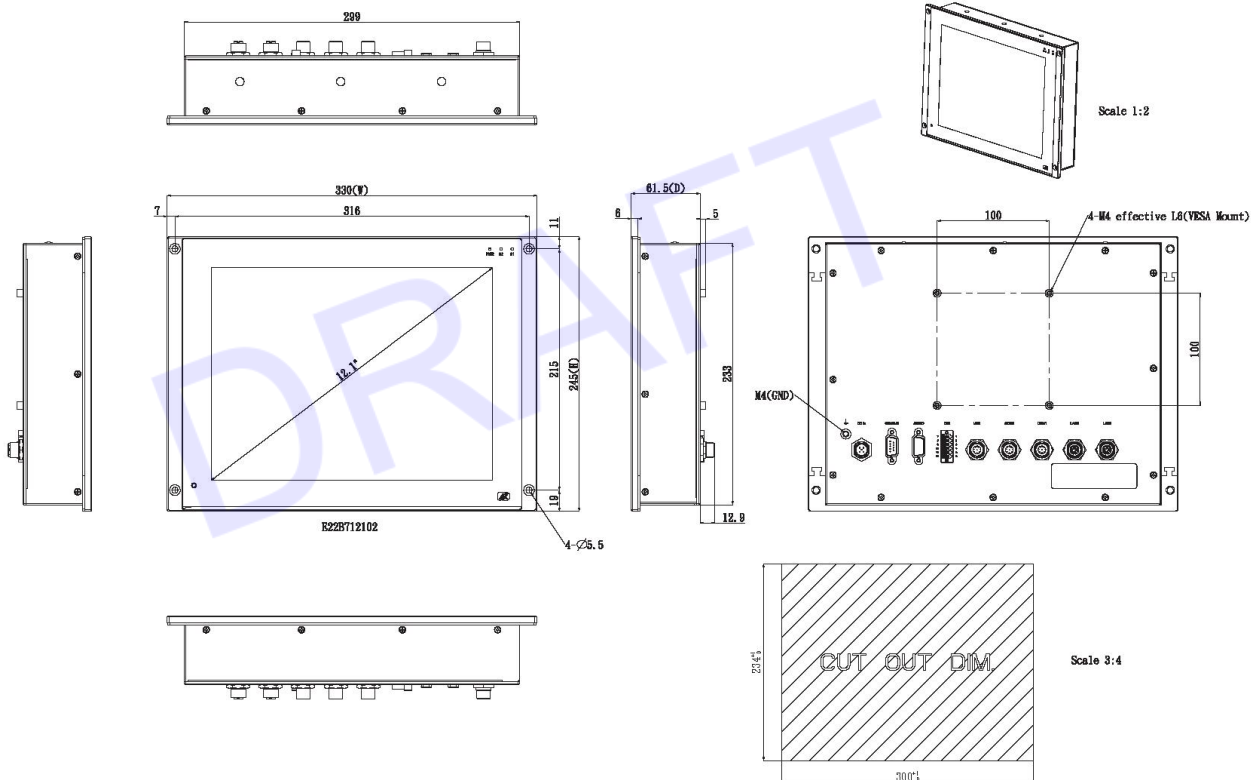
- Sunlight readable 12.1" XGA TFT LCD with a high brightness of 800 nits
- Fanless with Intel Atom processor E3845 1.91 GHz
- All lockable connectors design
- Auto-dimming for different environments
- -40°C to +70°C wide temperature range
- Typical 24 to 110 VDC wide power input range, EN 50155 Class S3 20ms power interruption protection
- EN 50155, EN 45545-2 certified for railway applications



- | | |
|---|--|
| 1. DC power input | 6. 1 x RS-232/422/485 with isolation 1.5kV |
| 2. CANbus with isolation 1.5kV | 7. 1 x RS-232/422/485 with isolation 1.5kV |
| 3. Audio (line-in, mic-in, speaker-out or line-out) | 8. 1 x GbE with isolation 1.5kV |
| 4. DIO (6-in/2-out with isolation 1.5kV) | 9. 1 x GbE with isolation 1.5kV |
| 5. 2 x USB 2.0 | |

MECHANICAL DRAWINGS

This is subject to change without Notice. Final Drawings Will be Provided for Approval after Order.



SPECIFICATIONS

Front Bezel	IP65-rated aluminum front bezel and IP40-rated rear protection	
LCD Panel	Display Type	12.1" TFT LCD
	Brightness (cd/m ²)	800 nits
	[Resolution	1024x768
	Viewing Angle (HA/)	1607160°
Main System	CPU	Intel Atom processor E3845 1.91 GHz (Bay Trail)
	Chipset	SoC integrated
	System Memory	DDR3L 4GB onboard
	BIOS	AMI
	Storage	16GB flash onboard 1 x mSATA
	Watchdog Timer	255 levels, 1 to 255 sec.
	Onboard Graphics	Integrated in Intel GFX

I/O Connector	2 x Isolated M12 A-coded RS-232/422/485 (isolation level 1.5kV) 2 x Isolated M12X-coded GbE (isolation level 1.5kV) 1 x M12 A-coded USB 2.0 (2 port signal) 1 x M12 A-coded DC-in 1 x DB15 audio line-in, mic-in, speaker-out or line-out 1 x Isolated terminal block DIO (6-in/2-out, isolation level 1.5kV) 1 x Isolated DB9 CANbus (isolation level 1.5kV)
Expansion Interface	2 x PCI Express Mini Card slot
Touchscreen	5-wire resistive touchscreen
Power Supply	Typical 24 to 110 VDC EN 50155 S3 20ms power interruption protection
Power Consumption	24-110Vdc@1J-0.32A
Dimensions	330 mm (13") (W) x 61.5 mm (2.42") (D) x 245 mm (9.65") (H)
Packing Dimensions	520 mm (20.47") (W) x 196 mm (7.72") (D) x 552 mm (21.73") (H)
Weight (net/gross)	2.95 kg (6.50 lbJ/5.35 kg (11.79 lb)
Operating Temperature	-40°C to +70°C (-40°F to +158°F)
Relative Humidity	110% to 95% @ +40°C, non-condensing
Certifications	CE/FCC Class A, EN 50155, EN 50121-3-2, EN 61373, EN 45545-2
* W.T.: Wide Temperature All W.T. supported products have to be sorted by iTech	

OPTIONAL ACCESSORIES
GPS kit
Wi-Fi kit
M12 A-coded USB cable
RS-232 cable
M12X-coded LAN cable
M12 DC-in power cable with ACC signal length 1.8M
OPTIONAL EOS INSTALLATION
WES 7
Windows 10 (IoT)
OPTIONAL OS INSTALLATION
Windows 7
Windows 8/8.1
Windows 10
Windows 10 IoT

**Specifications subject to change without notice, not responsible for typographical errors.*