

Marine Display

Design and test to meet DNVGL-CG-0339 Standard, IEC60945, and IACS-E10

Model: WPM-MAR-1900A1



19" 400nits Marine IP66 (Front Side) Display with 1280x1024, VGA+DVI+S-Video Input, VESA Mount/Panel Mount, Isolated 9-36VDC (with Terminal Block + external AC/DC Power Adapter), AR Glass

FEATURES:

- Dimming knob enables precise backlight brightness adjustment from nearly 0% to 100%.
- Transflective film technology enhances visibility in various lighting conditions.
- Rugged IP66-rated aluminum housing with powder-coated finish (IP54-rated rear).
- Accepts 24V DC to DC power input with isolation resistance for stable performance.
- High-quality touch-screen available, with optional AR protection glass.
- PIP (Picture-in-Picture) functionality and multiple video input options.
- User-friendly front panel OSD control designed for marine display applications.
- Engineered for enhanced shock and vibration resistance in demanding environments.

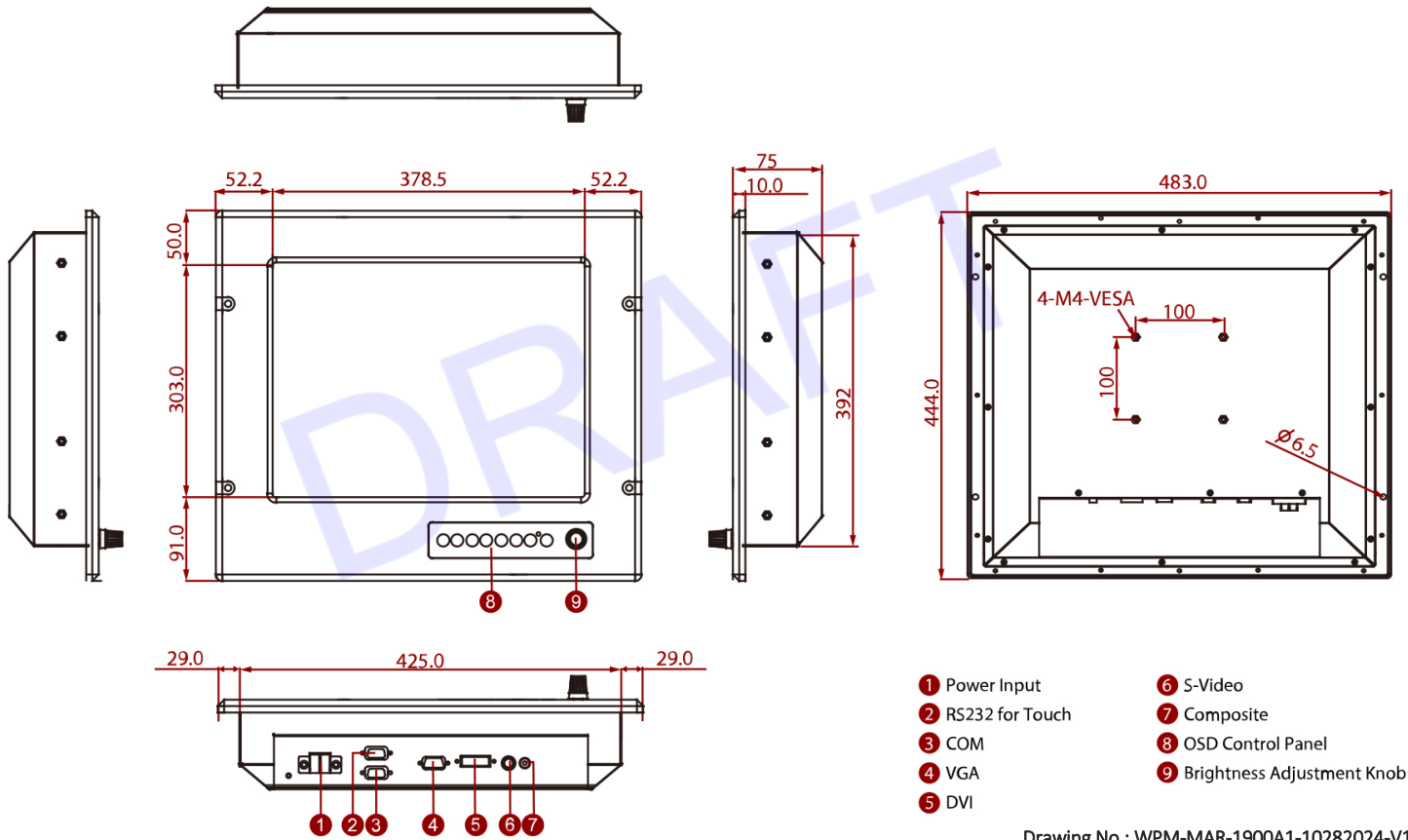


SPECIFICATIONS

Display			
Resolution	1280x1024	Size	19 inches
Contrast Ratio	1000:1	Panel Brightness	400 nits
View Angles	85,85,85,85	Active Area	378.5x303 mm
Touch / Glass	AR Glass	Display Color	16.7M Colors
Environment			
Operating Humidity	5% to 95%	Operating Temperature	-15~55°C
Shock	15G, 11ms duration	Vibration	0.7g@DNVGL CG-0339 (Class A)
IP rating	IP66 (Front Side)		
Certification			
Certification	CE, FCC DNVGL-CG-0339, IEC60945 4th, IACS-E10		
Mechanical			
Dimension	483 x 444 x 75	Weight	9.2 kg
Mounting	VESA Mount/ Panel Mount	Enclosure	Metal Housing with Aluminum Bezel
Cooling System	Fanless Design	Cut out	431 x 393 mm
IO Ports			
Video	1 x VGA 1 x DVI-D 1 x Composite 1 x S-Video	Serial Port	1 x RS232 for Remote Control 1 x RS232/USB for Touch Screen
Accessory			
Accessory	1 x User Manual. 1 x CD for Touch-screen Driver Tools. 1 x DVI Cable. 1 x VGA Cable. 1 x RS232 Serial Cable. 1 x S-Video Cable. 1 x Composite Cable.		
Power			
Power Rating	9-36VDC (with Terminal Block + external AC/DC Power Adapter)	Consumption	45W (Typical)
Control			
Button	8 key: Esc/PIP, Auto adjustment, Left, Right/Source, OK/Menu, Up, Down, Power, 1 x The Dimming Knob		

MECHANICAL DRAWING

This is subject to change without Notice. Final Drawings Will be Provided for Approval after Order.

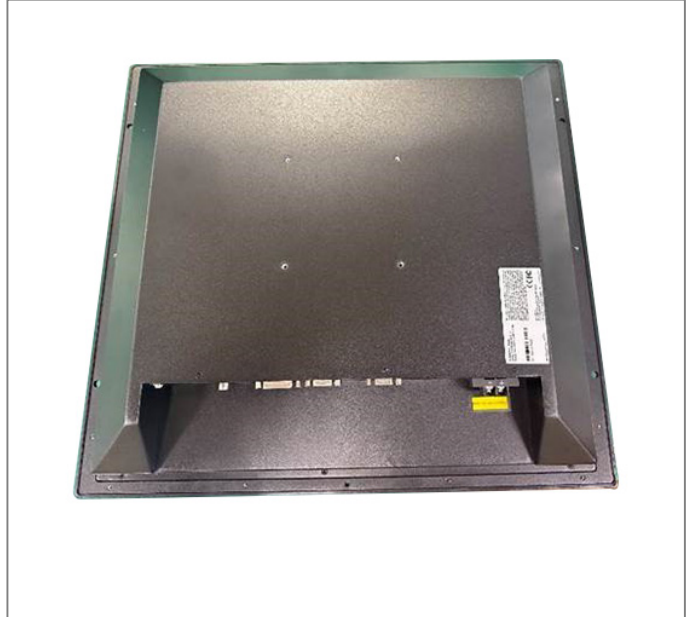
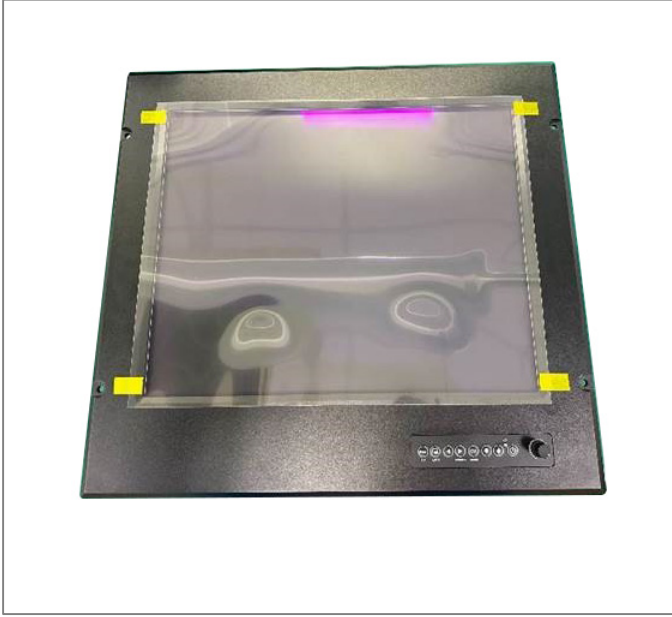


- ① Power Input
- ② RS232 for Touch
- ③ COM
- ④ VGA
- ⑤ DVI
- ⑥ S-Video
- ⑦ Composite
- ⑧ OSD Control Panel
- ⑨ Brightness Adjustment Knob

Drawing No.: WPM-MAR-1900A1-10282024-V1



ACTUAL PICTURES – 03/26/25



Reference SO# 121117