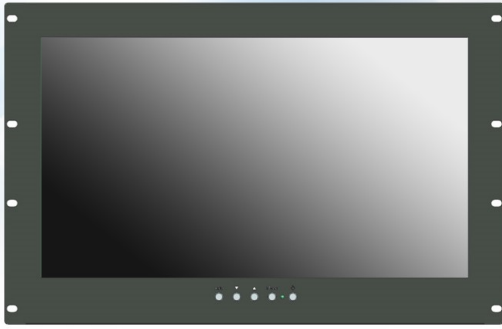


7U RACKMOUNT LCD MONITOR

7U 19" LCD Display Panel 1920x1080 Native Resolution
16.7M colors, HDMI 1.4 + VGA Video Input
(Speakers Excluded) 110/220AC IEC cable

Model: NP-W719HD



FEATURES:

- Compact 19 inch rack mountable with 7U height
- 18.5 inch LCD panel, support 1920 x 1080 resolution
- VGA, HDMI, Audio input
- Heavy duty steel chassis with hardness glass protect screen
- Front osd control buttons to optimized display

OPTION:

- DC Power Input

SPECIFICATIONS

LCD CHARACTERISTICS	
Screen Size	18.5 inch
Backlight Type	LED
Resolution	1920 x 1080
Contrast Ratio	1200:1
Brightness (cd/m2)	350
View Angles (H/V)	170/170
Pixel Size (HxV) mm	0.213x0.213
Max. Color	16.7M

INPUT SIGNALS	
HDMI	HDMI Connector (Female)
VGA	D-SUB 15Pin Connector (Female)
Audio	3.5" Jack

POWER SPECIFICATIONS	
AC Power Input	Standard IEC Type Power Cord with Internal Power adapter, 100-240V AC Input
Wide Range DC Power Input (option)	Screw Type Terminal Block with internal wide Range DC 9-36V or DC 72~144V power module

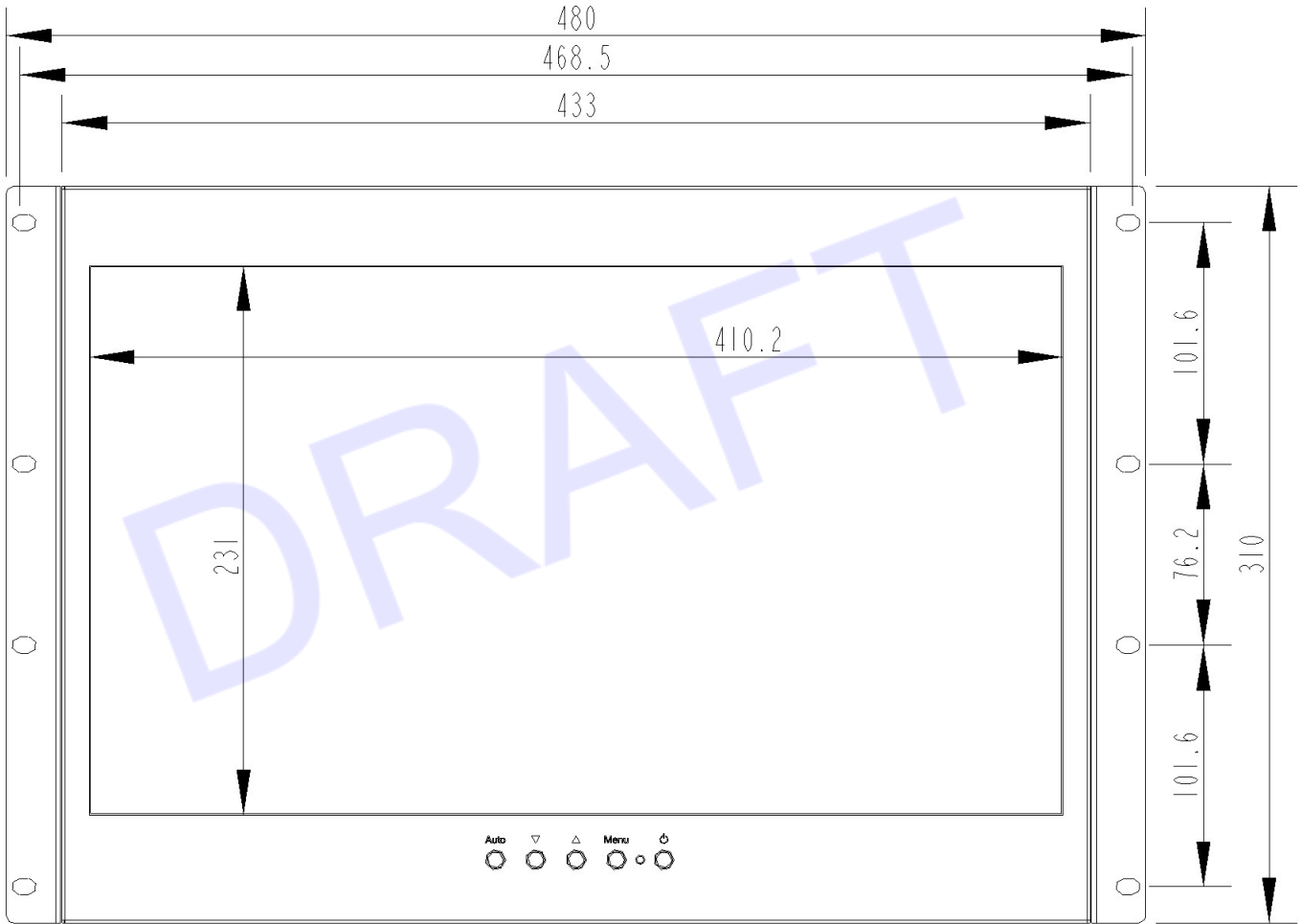
USER CONTROLS INTERFACE	
Power ON / OFF via Front Button	
Power Mode Status LED indicator	
OSD (On Screen Display) Buttons	

MECHANICAL AND ENVIRONMENT	
Height	7U
IP Protect	N/A
Mounting	VESA Mount and Rack Mount
Construction	Metal Housing
Operating Temperature	0 - 50 deg. C
Operating Humidity	5% - 95% (non -condensing)
Anti-Vibration	5 - 500 Hz / 1 Grms PTP
Anti-Shock	15G / Peak (11 ms)
Physical Dimension (WxHxD)	480 x 310 (7U) x 61 (mm) <i>estimated</i>
Packing Dimension (WxHxD)	650 x 510 x 250 (mm) <i>estimated</i>
Net Weight / Gross Weight	10 /13.5 KG <i>estimated</i>

**Specifications is subject to change without notice, not responsible for typographical errors.*

MECHANICAL DRAWINGS:

This is subject to change without Notice. Final Drawings Will be Provided for Approval after Order.



Drawing no.: NP-W719HD-07192023-V1