

1U Wide 17.3" Rackmount Rugged LCD Keyboard drawer 1920x1080,
High Brightness 1000 nits, Durable 104-key waterproof keyboard with
trackball, AC 110/220V input, 408mm Deep /16" deep extend to 762mm 30"
No Speaker

Operation temp: 0 to 50C
Storage temp: -20 to -60C
Humidity: 5% - 95%, non-condensing
Shock/Vibration: Procedure VI, 50G @ 11ms
NO TOUCH



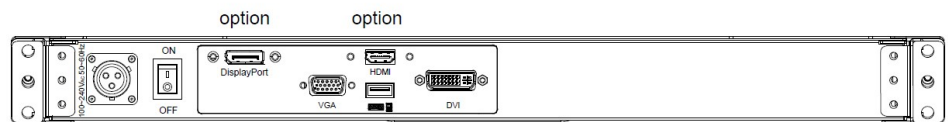
Model: Amil-W1730bHB

FEATURES

- Meet MIL-STD-810F/G standard
- 1U 17.3" LCD Console Drawer
- support 1920 x 1080 FHD resolution
- DVI & VGA Port
- Front 1x USB 2.0 Type A, Sharing USB peripheral device for computer (ex, flash disk, hard driver, KB/Mouse)
- Sealed IP65 silicone keyboard and trackball with backlight
- MIL connector for power input
- Support USB 2.0 Keyboard & Mouse
- Self-locking and auto release rails for ultra convenience

Option

- HDMI, Display port input
- DC 9~36V power input
- High brightness LCD panel, up to 1000 nits



REAR VIEW

SPECIFICATIONS

Direct no. of Computers	1	
LCD	Size	17.3"
	Backlight	LED
	Resolution	1920*1080 Full HD (support resolution up to 1920x1200)
	Max.color	16.7M
	Luminance	1000cd/m2
	View Angel (H/V)	160 / 140
	Contrast Ratio	600 : 1
USB HUB	1x Front USB 2.0 Type A for Peripheral USB Device	
KB/Mouse Emulation	USB	
Rack Depth	408mm to 762mm (rack cabinet front rails to rear rails)	
Power	100-240V AC 50/60Hz via 4 pins lock connector	
Environment (MIL-STD-810G)	Operation temp: 0 to 50°C	(MIL-STD-810, Method 501.5 & 502.5)
	Storage temp: -20 to 60°C	(MIL-STD-810, Method 501.5 & 502.5)
	Humidity: 5% - 95%, non-condensing	(MIL-STD-810, Method 507.5)
	Shock/Vibration: Procedure VI, 50G @ 11ms	(MIL-STD-810, Method 516.6)
	Altitude: 10,000 ft Operational, 30,000 ft Storage	(MIL-STD-810, Method 500.5)
Physical Dimensions / Net Weights	482x44x408mm (WxHxD) /13KG	
Packing Dimensions / Gross weights	740x160x620mm(WxHxD) /16KG	

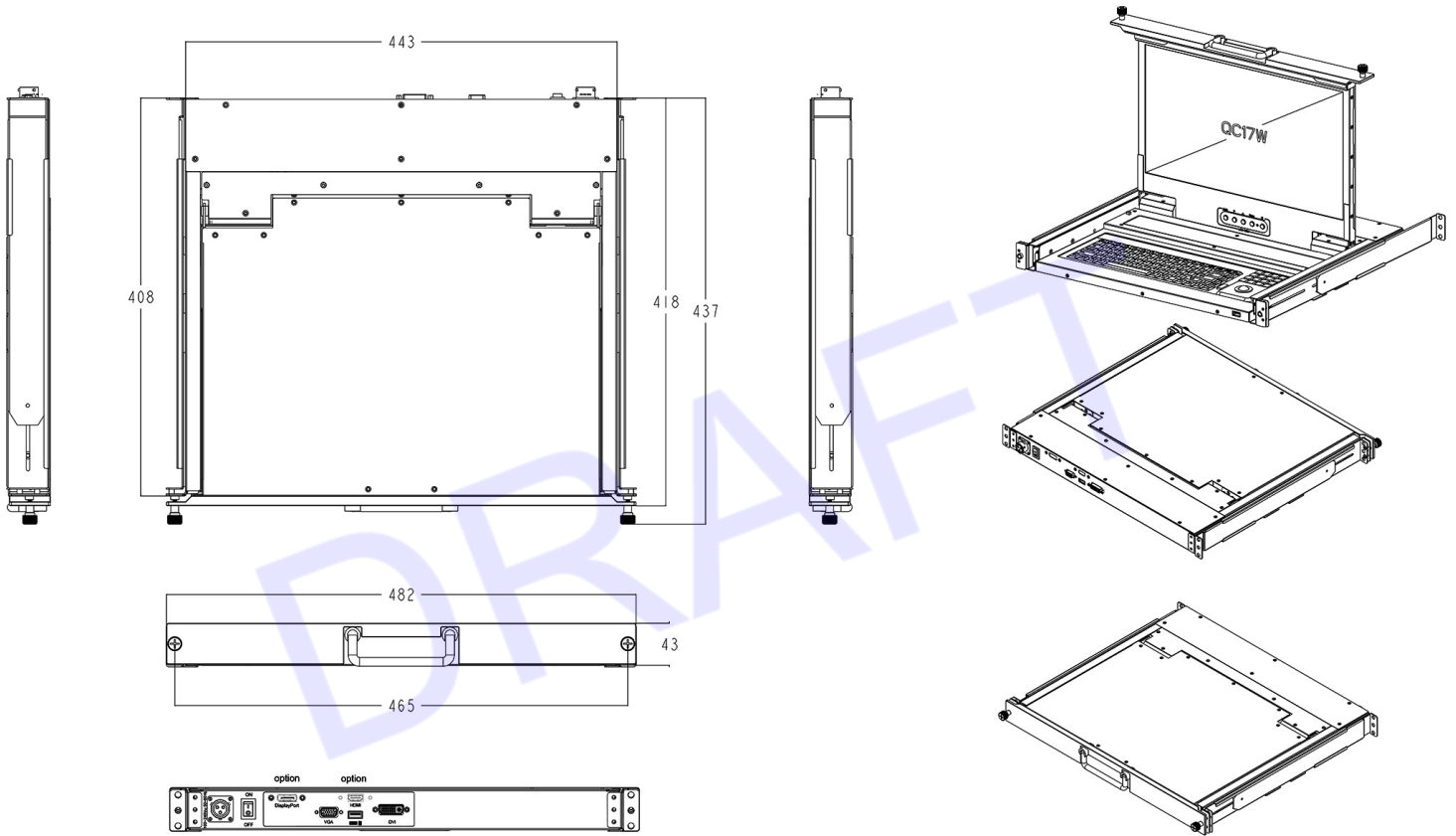
Accessories

1 x 1.8 Power Cord with lock connector, 1.8 meter DVI-D Cable, 1.8 meter VGA Cable , 1.8 meter USB Cable (each one)

**Specifications subject to change without notice, not responsible for typographical errors.*

MECHANICAL DRAWINGS

This is subject to change without Notice. Final Drawings Will be Provided for Approval after Order.



Drawing No.: Amil-W1730bHB-06302022-V1