

1U PORTABLE STYLE RACKMOUNT



1U 15.6" 1920x1080 LCD 1000nits, All Aluminum Construction with bumper at the corner, Portable Style with VGA+DVI+HDMI with USB keyboard/mouse

- external 100~240VAC power adapter, through 12VDC jack.
- Rack mount sliding tray + Cable guide
- default mounting range is 380~600mm

The portable display can be placed and removed from the tray. There are four brackets to fix the display on tray



Model: AVPW1560HBe-TY

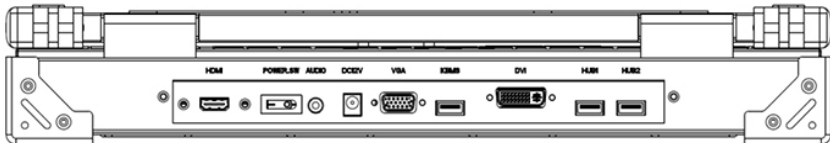
FEATURES

- Rugged aluminum construction with rubber corner bumpers
- Portable, Folding, Light weight for easy handheld
- 15.6" widescreen LCD panel
- 1920 x 1080 support FHD with 1080p resolution
- high brightness panel - 1000 nits
- HDMI + VGA + DVI video input
- Rear 2xUSB 2.0 Type A, Sharing USB peripheral device for computer (ex, flash disk, hard driver, KB/Mouse)
- 88-key keyboard with touch pad mouse
- USB 2.0 Keyboard & Mouse
- Build in 2x 3 watts speakers



OPTIONS

- Display Port input
- 3G / HD / SD -SDI Broadcast grade input
- Touchscreen



SPECIFICATIONS

LCD	Size	15.6"
	Backlight	LED
	Resolution	1920*1080 Full HD (support resolution up to 1920x1200)
	Max.color	262K
	Luminance	1000cd/m2
	View Angel (H/V)	140 /120
	Contrast Ratio	650: 1
Video Input	HDMI, DVI-D, VGA	
USB HUB	2x Rear USB 2.0 Type A for Peripheral USB Device	
Touch Screen	Yes, for option (Driver needed)	
KB/Mouse Emulation	USB	
Power	100-240V AC S0/60Hz External Power Adapter	
Environment	Operation temp: 0 to 50°C Storage temp: -20 to 60°C Humidity: 10%-90%, non-condensing Shock: 10G acceleration (11ms duration) Vibration: 17 to 500Hz 1G PTP	
Physical Dimensions / Net Weights	390 mm (W) x 320 mm (D) x 70 mm (H) / 4KG	
Packing Dimensions /Gross weights	580 mm (W) x 470 mm (D) x 58 mm (H) / 8KG	

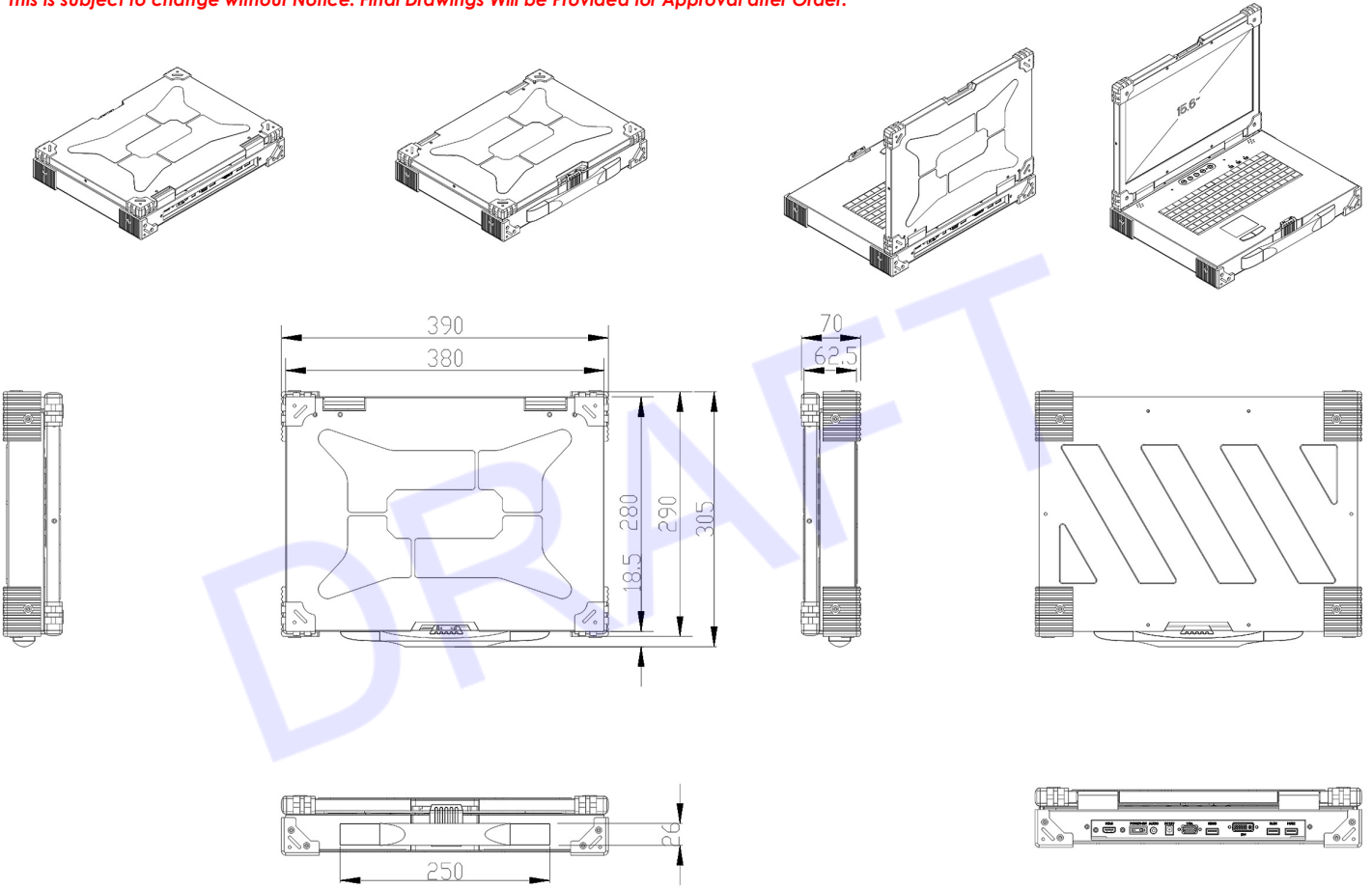
Accessory

Power Adapter x 1, 1.8 meter HDMI Cable, 1.8 meter DVI-D Cable, 1.8 meter VGA Cable, 1.8 meter USB Cable, 1.8 meter Audio Cable (one each)

**Specifications subject to change without notice, not responsible for typographical errors.*

MECHANICAL DRAWINGS (WITHOUT TRAY)

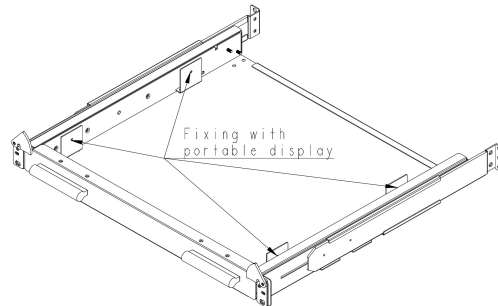
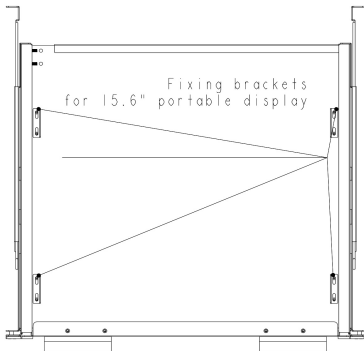
This is subject to change without Notice. Final Drawings Will be Provided for Approval after Order.



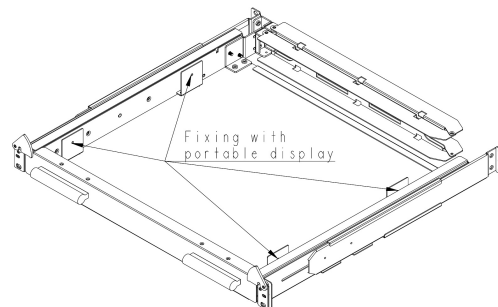
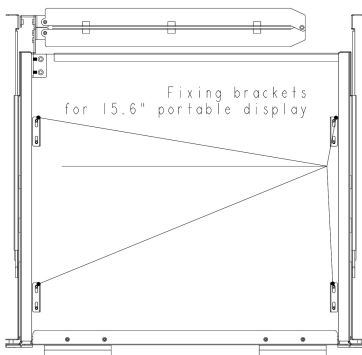
Drawing no.: AVPW1560HBe-TY-08312023-V1

TRAY

without cable guide option



with cable guide option



Modified: 08-31-2023

MECHANICAL DRAWINGS (WITH TRAY)

Cable guide is for option

