

MULTI INPUT LCD CONSOLE DRAWERS

1U 17 inch Multi Input LCD Console Drawer, DVI & VGA, Front 1xUSB, Rear 1xUSB 2.0 Type A, Sharing USB peripheral Device for computer w/ 104-key keyboard with touch pad mouse

Model: AVP117e



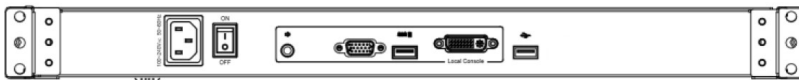
↑ (USB Port for device access)

FEATURES:

- 1U 17 inch LCD Console Drawer
- DVI & VGA Port
- Front 1xUSB, Rear 1xUSB 2.0 Type A, Sharing USB peripheral Device for computer (ex, flash disk, hard driver, KB/Mouse)
- 104-key keyboard with touch pad mouse.
- USB 2.0 Keyboard & Mouse
- Self-locking and auto release rails for ultra convenience.
- Build in 2x 2 watts speakers

OPTIONS:

- Composite Video input
- HDMI or Display Port input
- 3G / HD / SD –SDI Broadcast grade input
- 48V, 24V or 12V DC Power



Rear of AVP117e



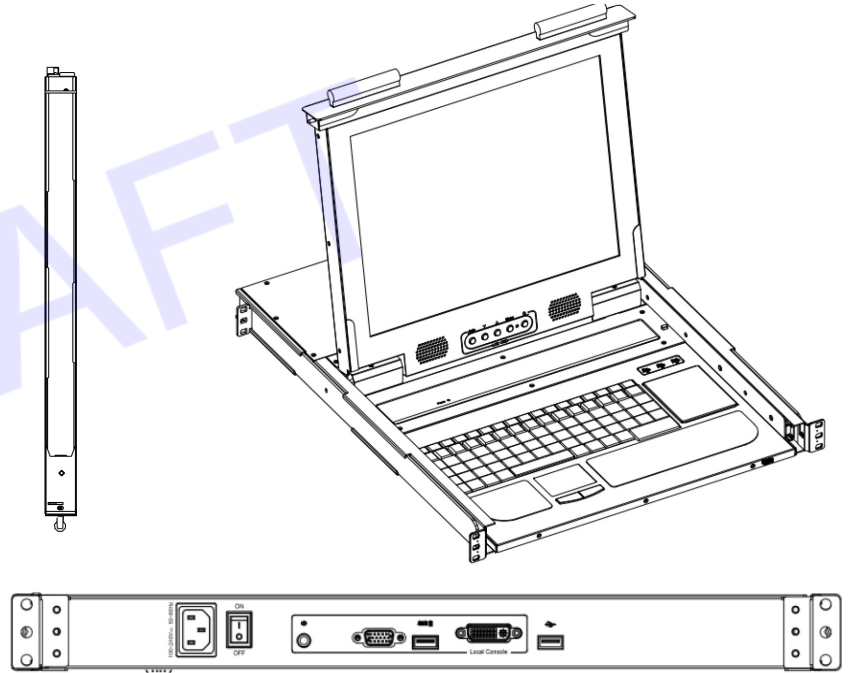
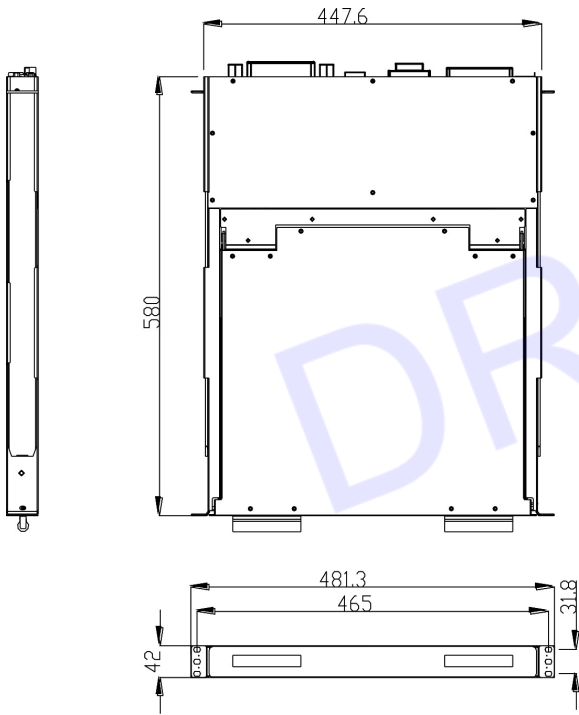
SPECIFICATIONS

Direct no. of Computers	1	
KVM Connectors	DVI-D, VGA, USB	
LCD	Size	17"
	Backlight	LED
	Resolution	1280 x 1024
	Max.color	16.7M
	Luminance	250cd/m2
	View Angel (H/V)	176 / 170
	Contrast Ratio	1000 : 1
USB HUB	1x Front , 1x Rear USB 2.0 Type A for peripheral USB devices	
Touch Screen	YES , for option (Driver needed)	
KB/Mouse Emulation	USB 2.0	
Audio	1 x 3.5 mm audio jack	
Rack Depth	500mm to 1100mm (rack cabinet front rails to rear rails)	
Power	100-240V AC 50/60Hz via IEC Type power cord	
Environment	Operation temp: 0 to 50°C Storage temp: -20 to 60°C Humidity: 10% - 90%, non-condensing Shock: 10G acceleration (11ms duration) Vibration: 17 to 500Hz 1G PTP	
Physical Dimensions / Net Weights	448x42x580mm (WxHxD) / 14.5KG	
Packing Dimensions / Gross weights	710x160x780mm (WxHxD) / 19KG	
Accessories		
1.8 meter IEC Type Power Cord , 1.8 meter DVI-D Cable, 1.8 meter VGA Cable , 1.8 meter USB Cable , 1.8 meter Audio Cable (each one)		

**Specifications subject to change without notice, not responsible for typographical errors.*

DRAWINGS

This is subject to change without Notice. Final Drawings Will be Provided for Approval after Order.



Rear of AVP117e

Drawing no.: AVP117e-06152022-V1