

MULTI INPUT LCD CONSOLE DRAWERS

1U 17" LED 1280x1024 Single Slide LCD 104 Keyboard touchpad, 250nits. with 8 port combo PS/2 and USB KVM switch, 220VDC Terminal Block "+" and "-".

- * Include 8 pcs of AB-6 (1.8meter 2-in-1 KVM Cable-USB&VGA) cables
- * Physical Dimension / Net Weights 448x42x630mm (WxHxD) / 13.5KG
- * Includes VGA + USB KVM cables 6ft long total of 8pcs.

Model: AVP117S8e-220DC

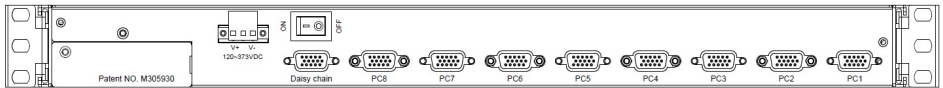
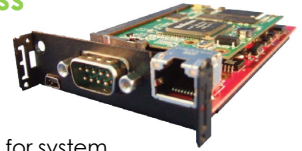


FEATURES:

- Support combo interface, VGA-USB & VGA-PS/2.
- Durable 104-key keyboard and touch pad.
- Quick and simple installation.
- Self-locking and auto release rails for ultra-convenience.
- Port selection via push buttons or On-Screen-Display (OSD).
- Dedicated daisy chain port to expand up to 240 servers.
- Access Control List (ACL) security function for up to 8 independent user accounts.

OPTIONAL Remote IP Access

- An expansion slot allows you to add an optional KVM over IP module to enable remote access to your servers.
- Gain BIOS level access to your servers for system maintenance, support or failure recovery via secure SSL authentication and encryption.



SPECIFICATIONS:

Direct no. of Computers	8	
Maximum no. of Computers	232(Daisy Chain)	
LCD	Size	17"
	Backlight	LED
	Resolution	1280*1024
	Max. color	16.7M
	Luminance	250cd/m2
	View Angel (H/V)	176 / 170
	Contrast Ratio	1000 : 1
Port Selection	Push Button, OSD or Hotkey	
Expansion Slot	Yes, option for Remote IP Access	
KB/Mouse Emulation	USB & PS2	
Rack Depth	500mm to 1100mm (rack cabinet front rails to rear rails)	
Power	120~373VDC with Terminal Block "+" and "-"	
Environment	Operation temp: 0 to 50°C Storage temp: -20 to 60°C Humidity: 10% - 90%, non-condensing Shock: 10G acceleration (11ms duration) Vibration: 17 to 500Hz 1G PTP	
Physical Dimensions / Net Weights	448x42x630mm (WxHxD) / 13.5KG	
Packing Dimensions / Gross weights	715x143x780mm (WxHxD) / 18.0KG	

Optional Related Item			
AB-6	1.8meter 2-in-1 KVM Cable-USB&VGA	AD-6	1.8meter 3-in-1 KVM Cable-PS/2&VGA
AB-10	3.0meter 2-in-1 KVM Cable-USB&VGA	AD-10	3.0meter 3-in-1 KVM Cable-PS/2&VGA
AB-15	5.0meter 2-in-1 KVM Cable-USB&VGA	AD-15	5.0meter 3-in-1 KVM Cable-PS/2&VGA
AIP-1000M	KVM over IP module for Remote Bios Level Access		

**Specifications subject to change without notice, not responsible for typographical errors.*

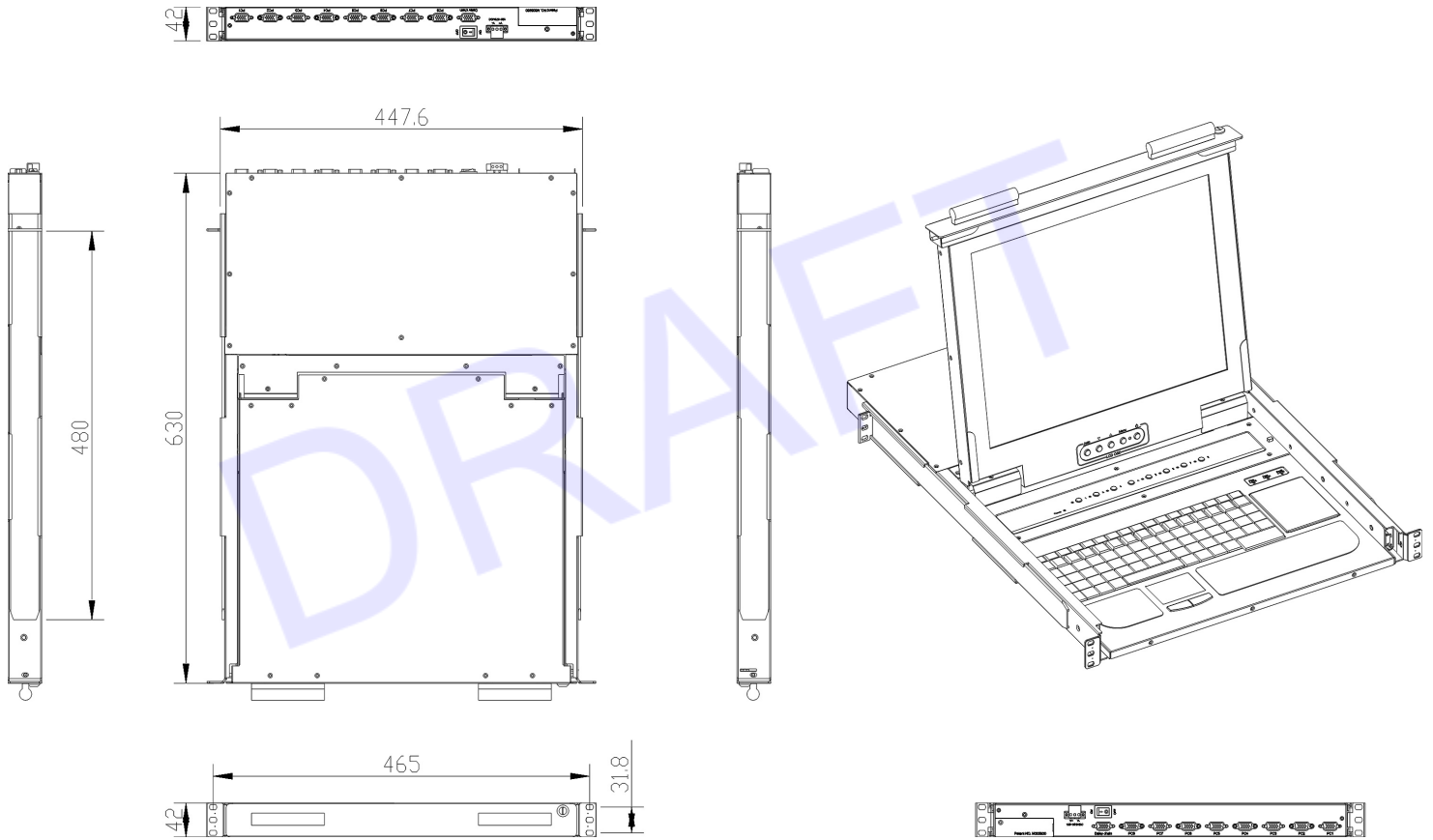


i-Tech Company LLC
EMAIL: info@itechlcd.com • WEB: www.iTechLCD.com

Modified Date: 05-18-2023

MECHANICAL DRAWINGS:

This is subject to change without Notice. Final Drawings Will be Provided for Approval after Order.



Drawing No.: AVP117S8e-220DC-05182023-V1