

Combo DB15 LCD Console Drawers

1U 17" LED 1280x1024 Single Slide LCD 104 Keyboard touchpad, 250nits.
with 8 port combo PS/2 and USB KVM switch, 110VDC Terminal Block "+" and "-".
Chassis Depth 630mm/25" Deep

Model: AVP117S8e-110VDC-UK

- * Include 8 pcs of AB-6 (1.8meter 2-in-1 KVM Cable-USB&VGA) cables
- * Net Weights 448x42x580mm (WxHxD) / 12.0KG
- Includes VGA + USB KVM cables 6ft long total of 8pcs.
- ****Noted English (UK) Keyboard layout****



The LCD console drawers provide a variety of features that simplify to access servers to making system monitoring, troubleshooting and software upgrades. The self-locking rails when in the fully extended open position and the ultra-convenient auto lock release when the LCD panel is closed, make for simple and hassle-free operation. Available with 17" A-Grade LCD panels, combo DB15 single, 8 or 16 port integrated KVM switch & with an option remote IP console.

FEATURES:

- Support combo interface, VGA-USB & VGA-PS/2.
- Durable 104-key keyboard and touch pad.
- Quick and simple installation.
- Self-locking and auto release rails for ultra-convenience.
- Port selection via push buttons or On-Screen-Display (OSD).
- Dedicated daisy chain port to expand up to 240 servers.
- Access Control List (ACL) security function for up to 8 independent user accounts.

OPTIONAL REMOTE IP ACCESS:

- An expansion slot allows you to add an optional KVM over IP module to enable remote access to your servers.
- Gain BIOS level access to your servers for system maintenance, support or failure recovery via secure SSL authentication and encryption.



UK KEYBOARD



SPECIFICATIONS

Direct no. of Computers	8	
Maximum no. of Computers	232(Daisy Chain)	
LCD	Size	17"
	Backlight	LED
	Resolution	1280*1024
	Max. Color	16.7M
	Luminance	250cd/m2
	View Angel (H/V)	176 / 170
	Contrast Ratio	1000 : 1
Port Selection	Push Button, OSD or Hotkey	
Expansion Slot	Yes, option for Remote IP Access	
KB/Mouse Emulation	USB & PS2	
Rack Depth	500mm to 1100mm (rack cabinet front rails to rear rails)	
Power	110VDC with Terminal Block "+" and "-"	
Environment	Operation temp: 0 to 50°C Storage temp: -20 to 60°C Humidity: 10% - 90%, non-condensing Shock: 10G acceleration (11ms duration) Vibration: 17 to 500Hz 1G PTP	
Physical Dimensions / Net Weights	448x42x630mm (WxHxD) / 13.5KG	
Packing Dimensions / Gross weights	715x143x780mm (WxHxD) / 18.0KG	

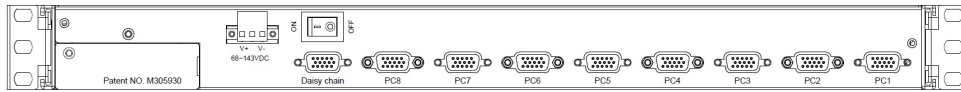
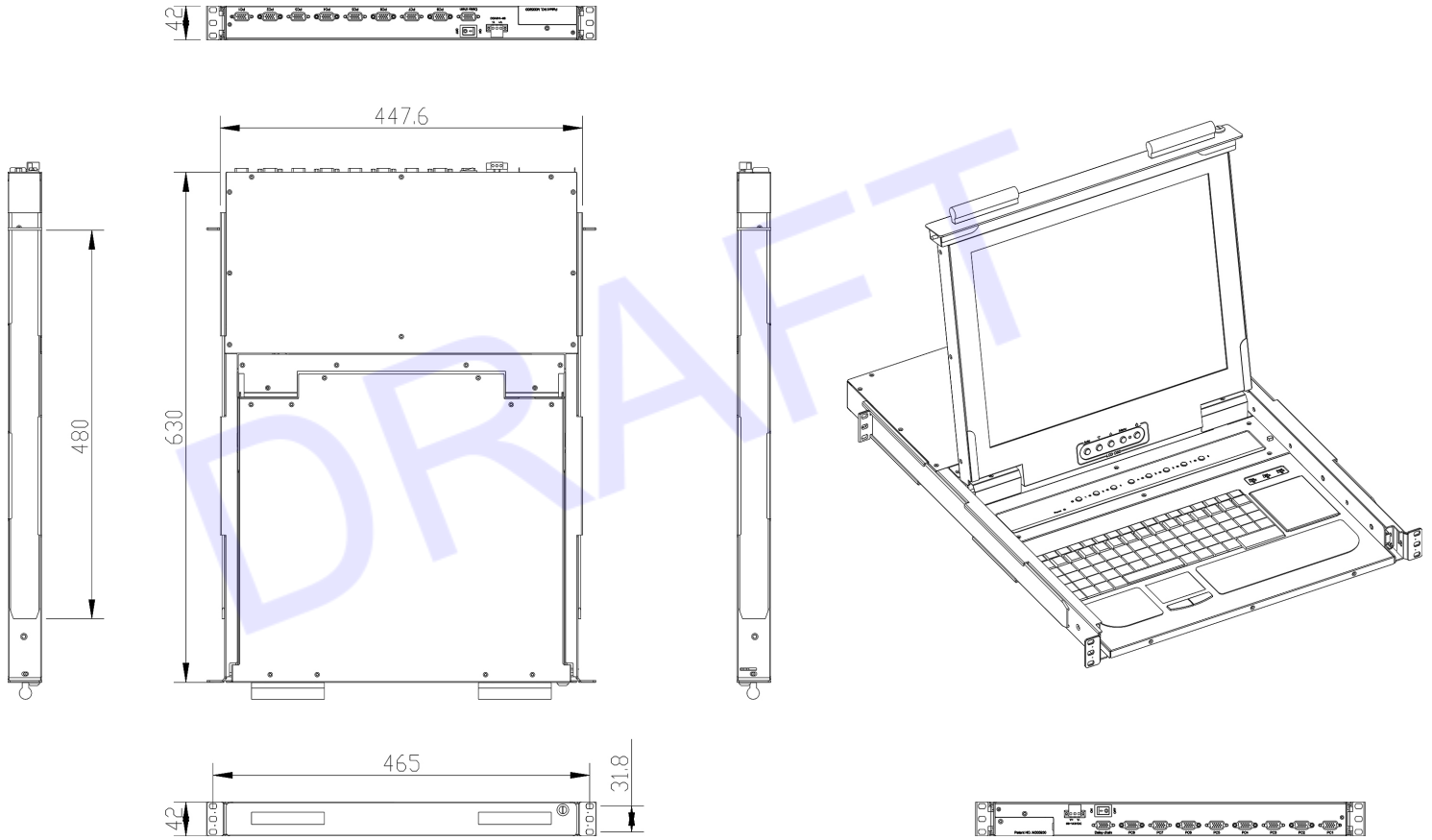
Option Relate Item			
AB-6	1.8meter 2-in-1 KVM Cable-USB&VGA	AC-6	1.8meter 3-in-1 KVM Cable-PS/2&VGA
AB-10	3.0meter 2-in-1 KVM Cable-USB&VGA	AC-10	3.0meter 3-in-1 KVM Cable-PS/2&VGA
AB-15	5.0meter 2-in-1 KVM Cable-USB&VGA	AC-15	5.0meter 3-in-1 KVM Cable-PS/2&VGA
AIP101	KVM over IP module for Remote Bios Level Access		

*Specifications subject to change without notice, not responsible for typographical errors.

Modified: 01-05-2024

DRAWINGS

This is subject to change without Notice. Final Drawings Will be Provided for Approval after Order.



Rear of AVP117S8e-110VDC-UK

UK KEYBOARD

