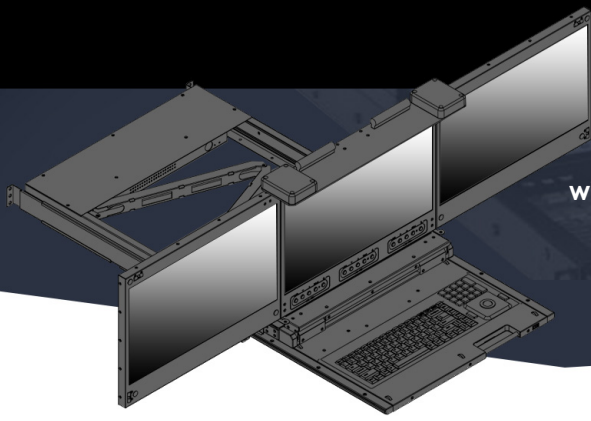


TRIPLE SCREEN LCD CONSOLE DRAWERS

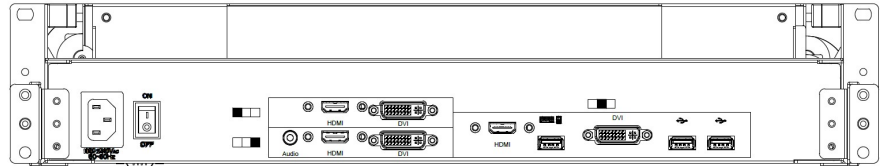


DUAL SLIDES 2.5U 17.3" 1920 x 1080 Native resolution widescreen Triple LCD Rackmount LCD Keyboard Console Drawer, sealed and backlit keyboard with trackball and built in speakers, 2 inputs per screen DVI+HDMI per screen. High bright (1000 nits) per screen HDMI+DVI input per screen sealed and backlit keyboard w/trackball

MODEL: ASK3D1730HB-b

FEATURES:

- 2.5U Triple 17.3 inch widescreen LCD Console Drawer
- Triple DVI-D & HDMI Port
- 1920 x 1080 high resolution
- Support 1920 x 1200 resolution.
- Dual rail design, capable the LCD screen and keyboard tray Operated independently.
- Front 1xUSB, Rear 2xUSB 2.0 Type A, Sharing USB peripheral Device for computer (ex, flash disk, hard driver, KB/Mouse)
- Sealed IP65 silicone keyboard and trackball with backlight
- USB 2.0 Keyboard & Mouse
- Build in 2x 2 watts speakers



SPECIFICATIONS

No. of ports	1	
KVM Connectors	3 x DVI-D & 3x HDMI / 1 x USB for KB & Mouse / 1x Audio	
LCD	Size	Triple 17.3 inch FULL HD display
	Backlight	LED
	Resolution	1920*1080 (support resolution up to 1920*1200)
	Max.color	262K
	Luminance	1000 cd/m2
	View Angel (H/V)	140 / 120
	Contrast Ratio	650 : 1
Port Selection	N/A	
USB HUB	Yes , Front x1 & Rear x 2 USB 2.0 Type A for USB Peripheral Device	
Audio	1 x 3.5mm Audio jack	
KB/Mouse Emulation	USB 2.0	
Rack Depth (rack cabinet front rails to rear rails)	580mm to 950mm	
Power	100-240V AC 50/60Hz via IEC Type power cord	
Environment	Operation temp: 0 to 50°C Storage temp: -20 to 60°C Humidity: 10% - 90%, non-condensing Shock: 10G acceleration (11ms duration) Vibration: 17 to 500Hz 1G PTP	
Physical Dimensions (W x H x D) / Net Weights (KGs)	443 x 111 x 580mm / 26.0 (estimate)	
Packing Dimensions (W x H x D) / Gross weights (KGs)	740 x 640 x250mm / 29.0 (estimate)	

Accessories

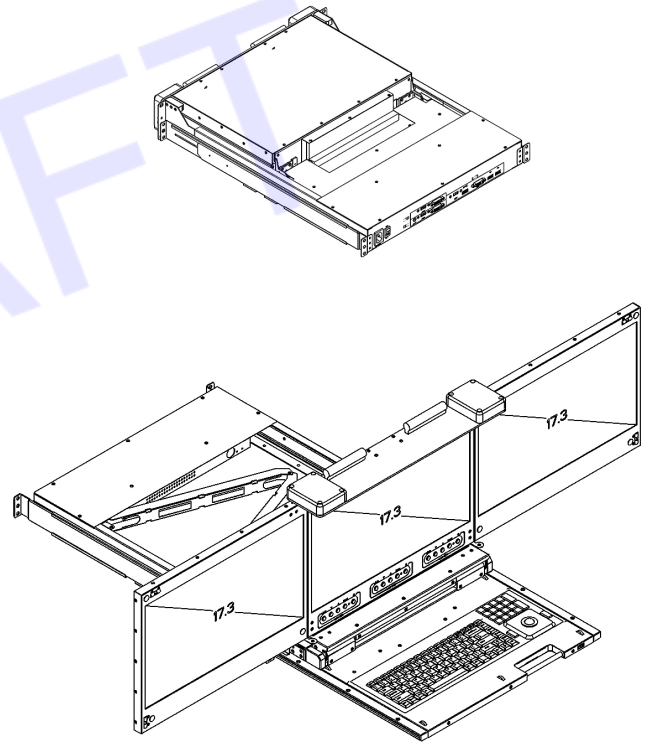
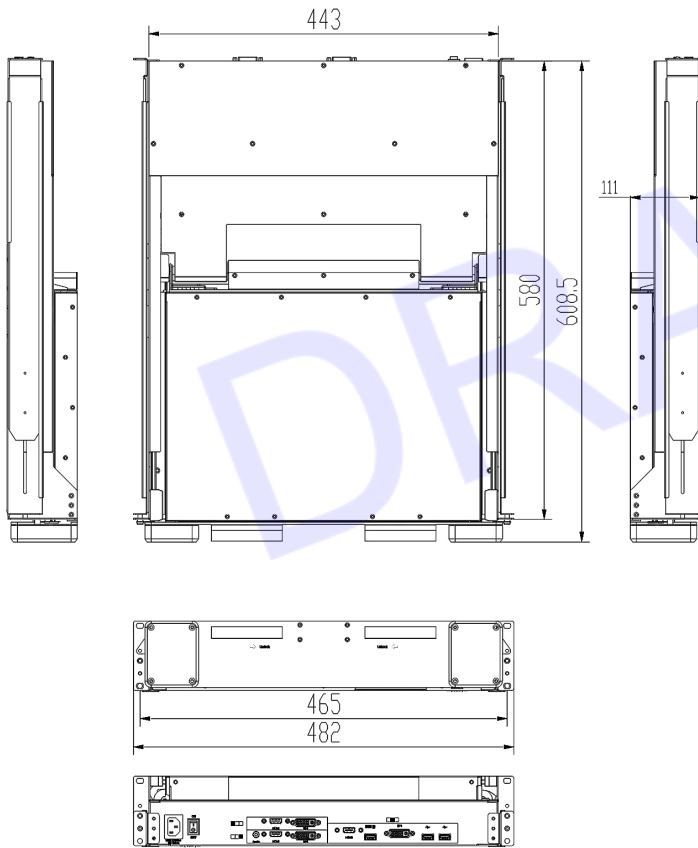
1.8meter IEC Type Power Cord x1 , 1.8meter DVI Cable x3 , 1.8meter HDMI Cable x3 , 1.8meter USB Cable x1 , 1.8meter Audio Cable x1

**Specifications subject to change without notice, not responsible for typographical errors.*



DRAWINGS:

This is subject to change without Notice. Final Drawings Will be Provided for Approval after Order.



Drawing no.: ASK3D1730HB-b-09122022-V1